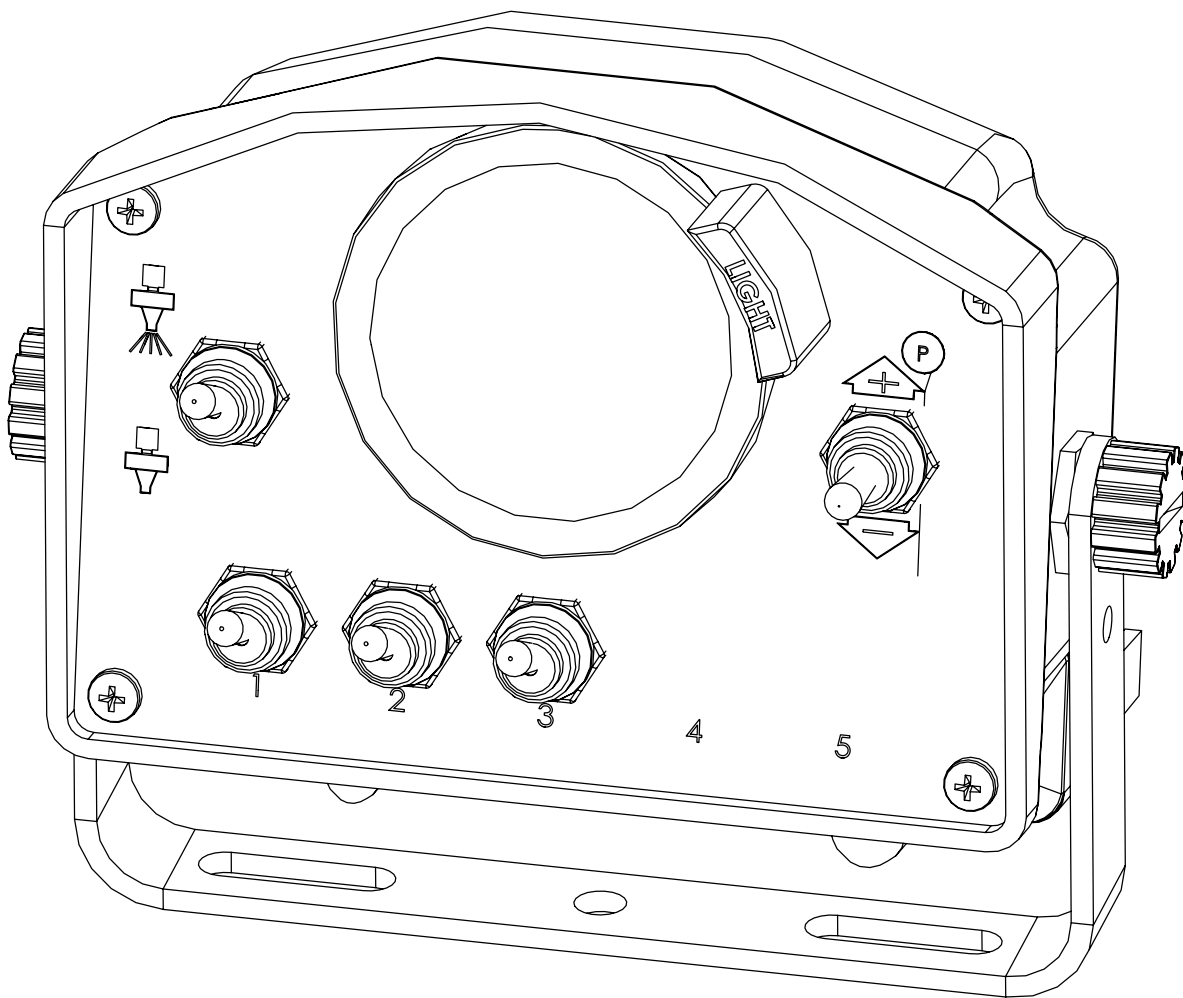


Owner's Manual

863 High Pressure Controls



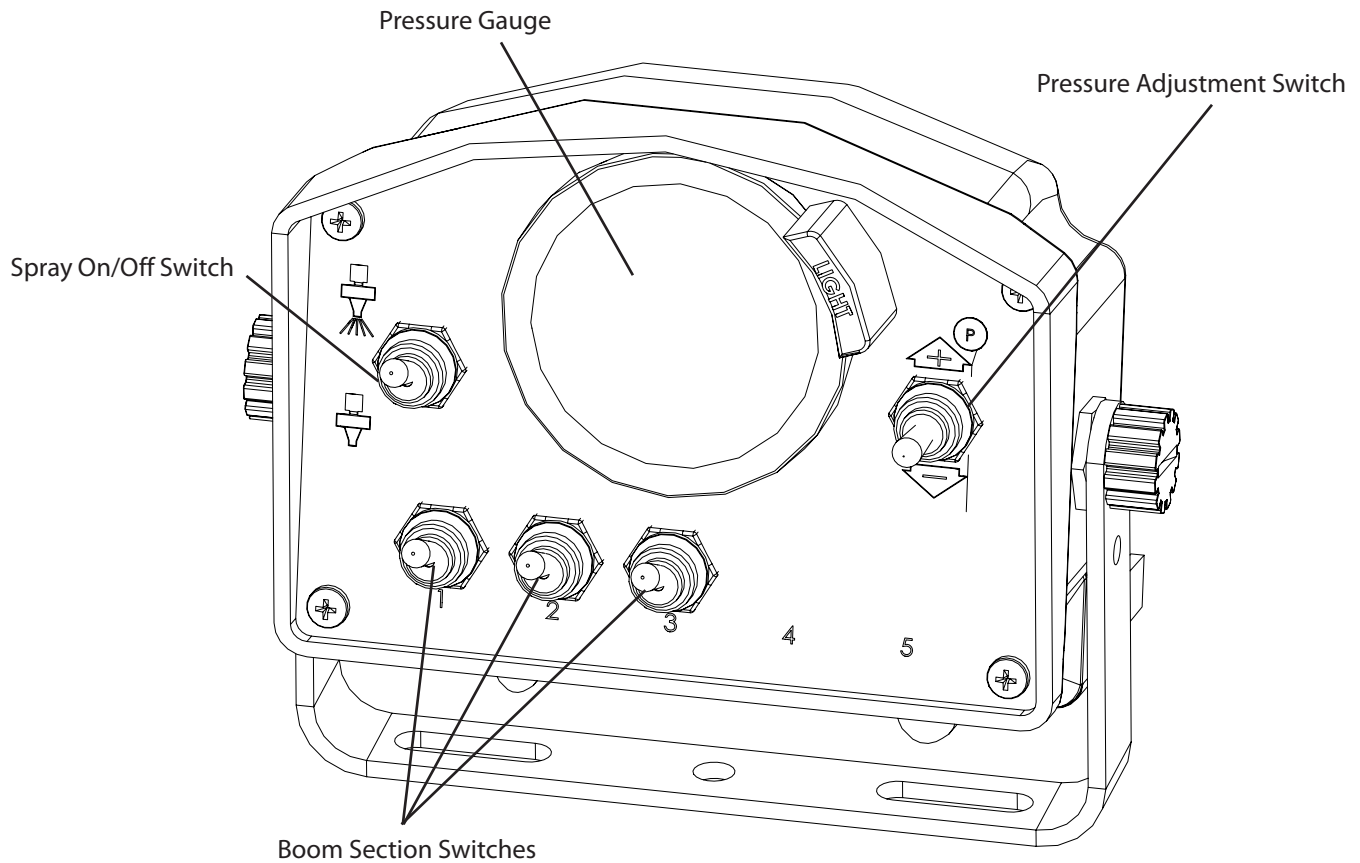
PBZ LLC | 295 Wood Corner Rd | Lititz PA 17543
www.CropCareEquipment.com | (717) 738-7365
A Paul B Zimmerman Inc. Company

Thank you for purchasing this CropCare product. This owner's manual contains helpful information regarding the installation, operation and maintenance of your product. For parts and service please contact your local CropCare dealer.

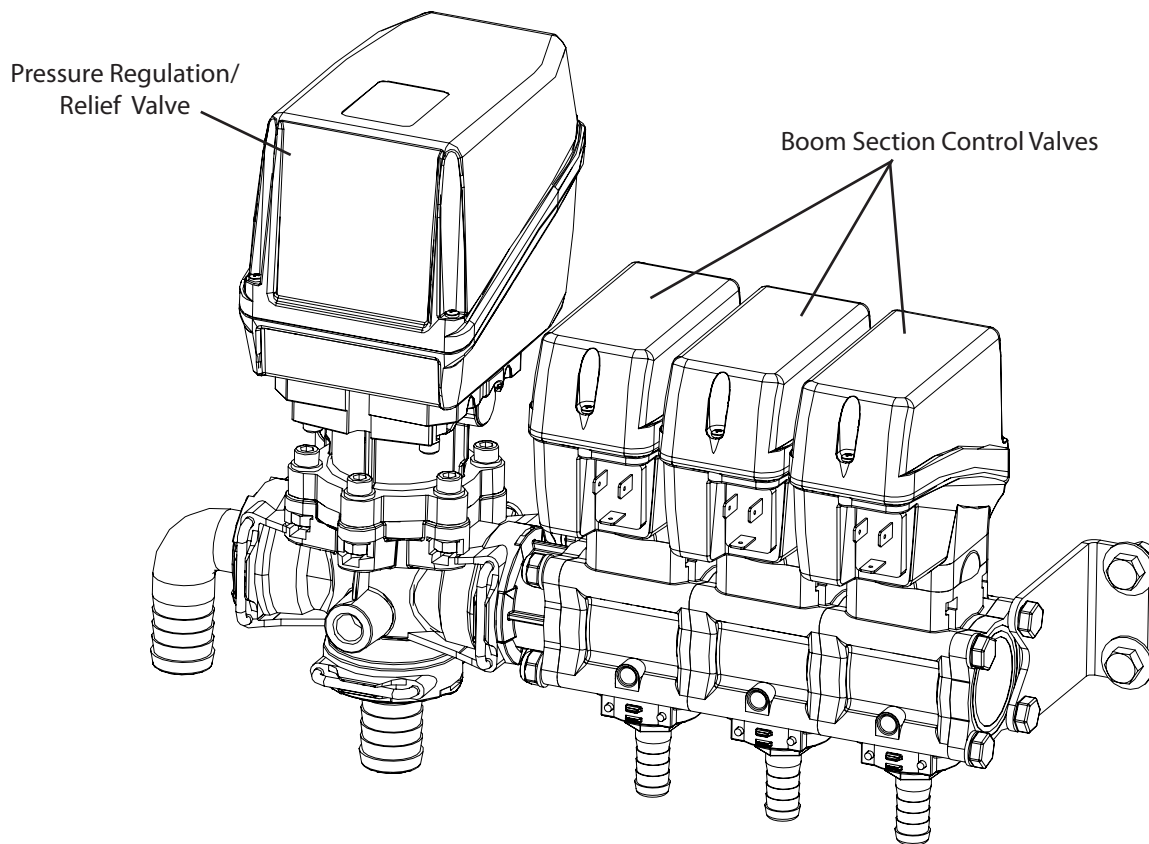
Table Of Contents

Introduction.....	3
Operating Instructions.....	4
Breakdowns & Parts Lists.....	5-6
Plumbing Diagram.....	6
Crop Care® Limited Warranty.....	7
Contact Us.....	8

Introduction



Introduction

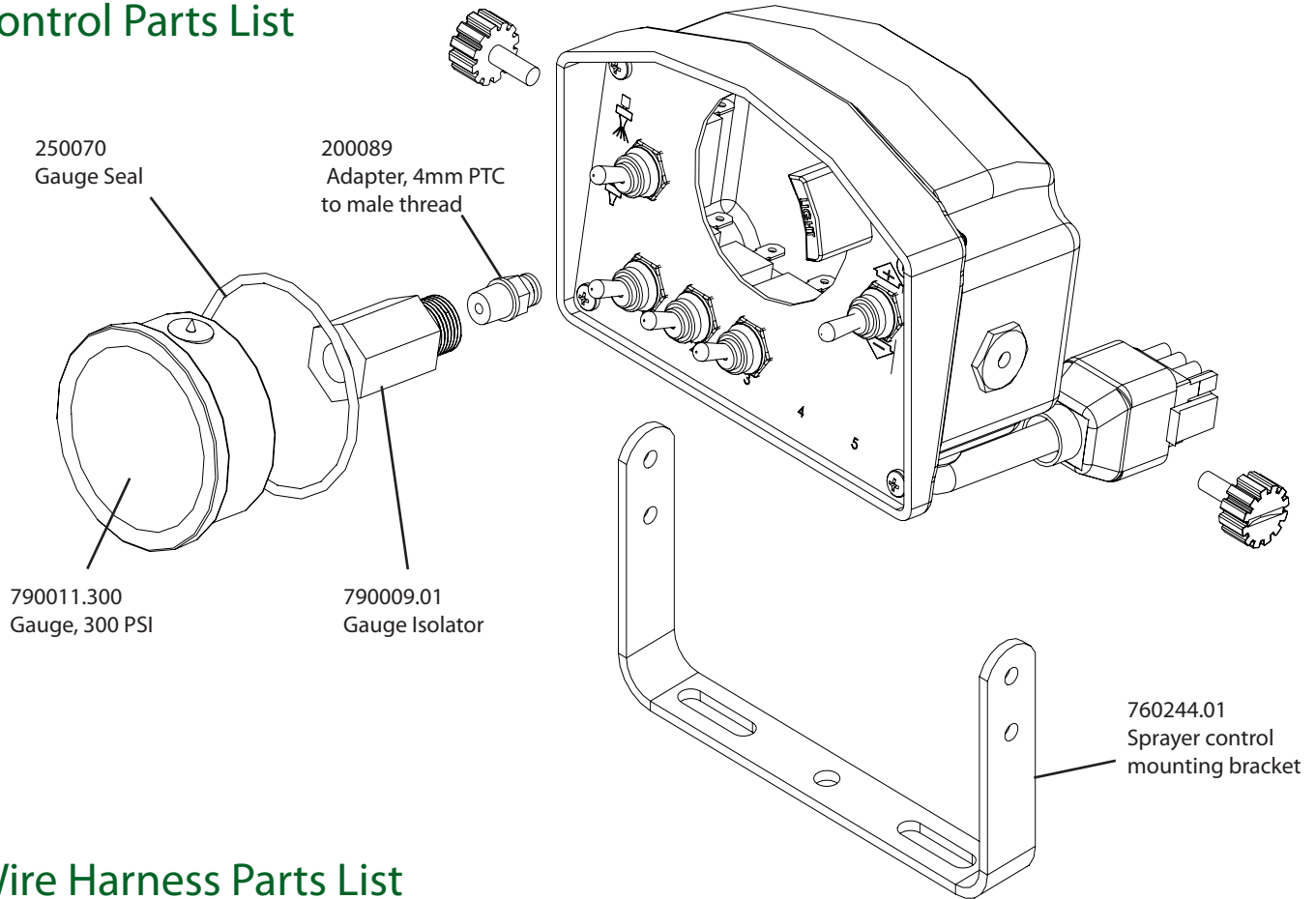


Operation Instructions

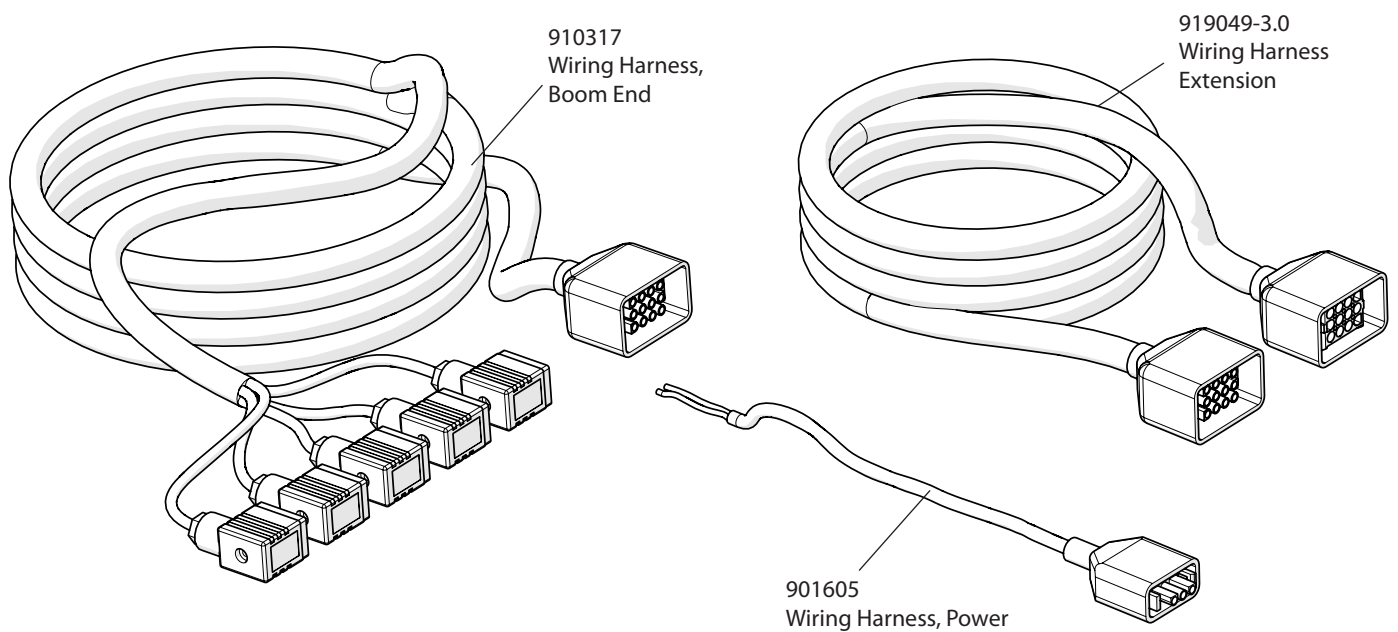
1. Fill the tank with fresh water in order to set the pressure and test for leaks.
2. Prepare the sprayer for spraying; turn off the boom section control switches.
3. Using the pressure control switch, fully open the relief valve by holding switch in the decrease position for 16 seconds.
4. Start the pump and increase engine RPM to the actual RPM used for spraying.
5. Turn on boom section switches and master control switch.
6. Using the pressure control switch close the regulating valve by holding the switch in the increase position until the desired operating pressure is achieved.
7. Being careful not to come in contact with the PTO or other moving parts, visually inspect the sprayer to check for leaks at fittings or in hoses.
8. You may now fill the tank with the amount of water and chemicals recommended by the chemical manufacturer.

Breakdowns & Parts Lists

Control Parts List

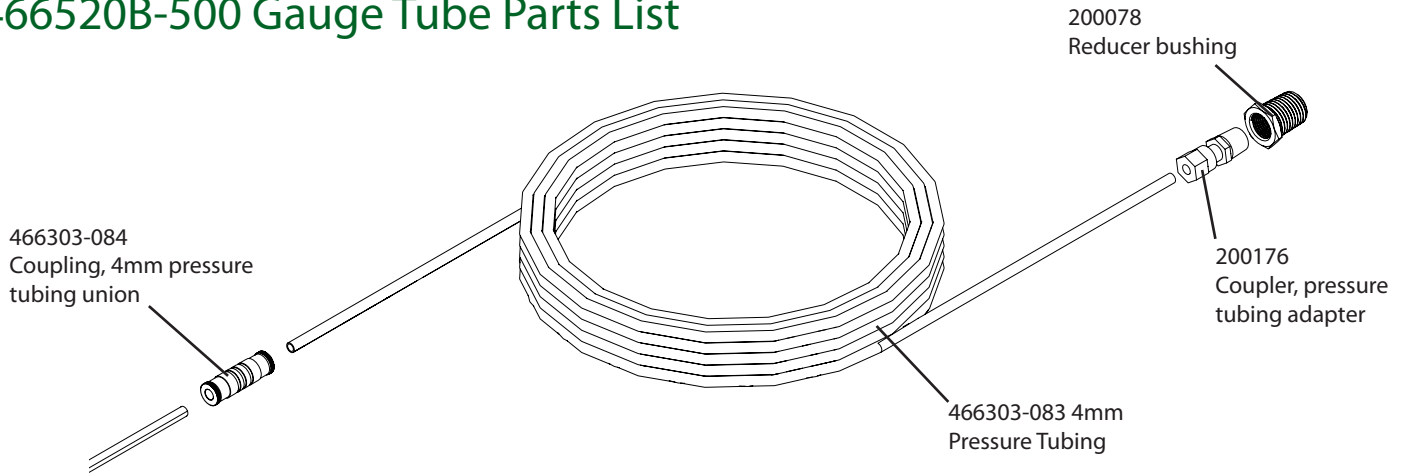


Wire Harness Parts List

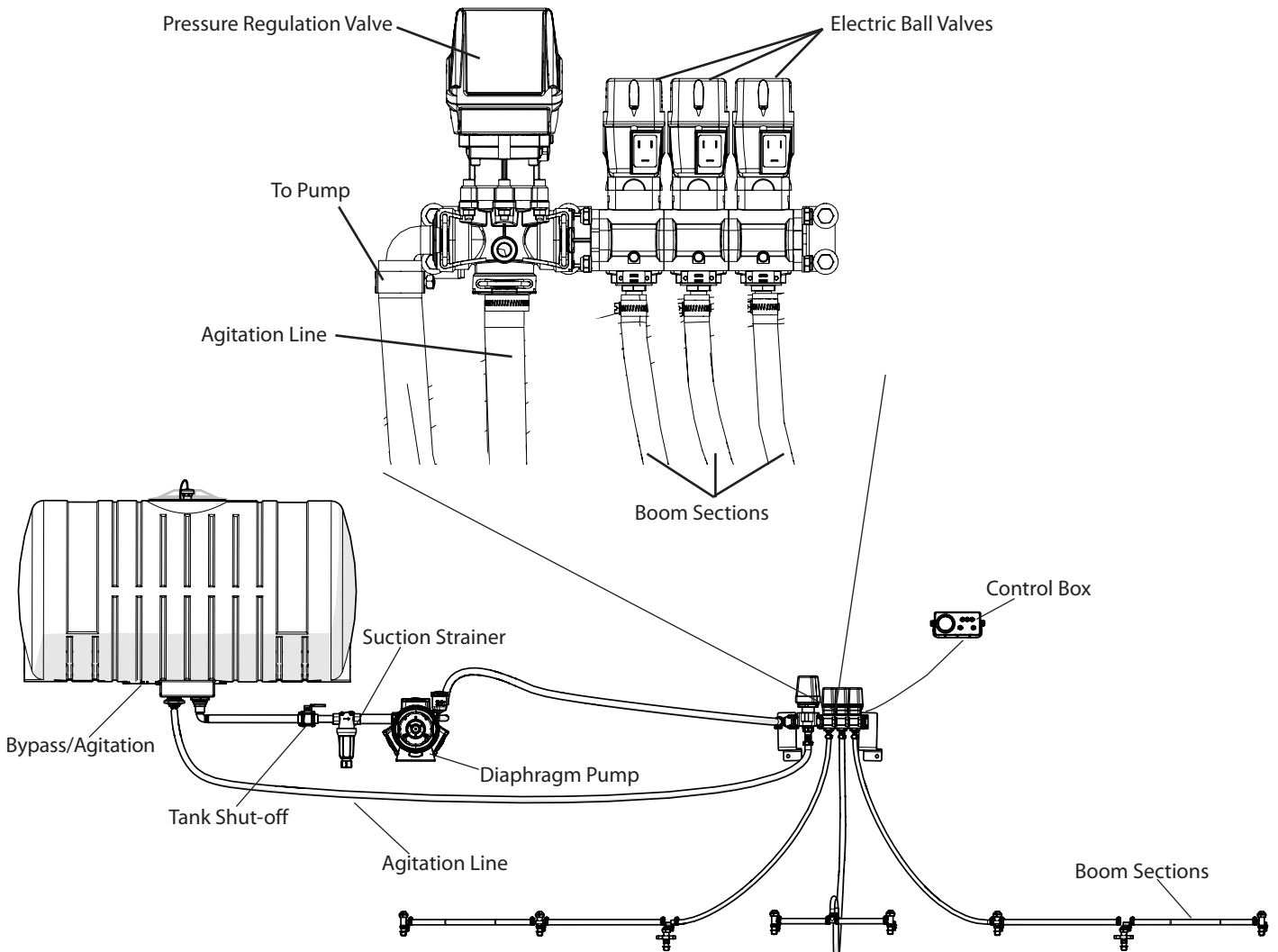


Breakdowns & Parts Lists

466520B-500 Gauge Tube Parts List



Plumbing Diagram



CropCare[®] Limited Warranty

Warranty Coverage

CropCare[®] hereby provides a Limited One (1) Year Warranty on this product, manufactured by CropCare[®]. This product manufactured by CropCare[®] is warranted against any manufacturer's defects and any of this product's components in the 12 months following the original date of purchase.

Defective components will be repaired or replaced at the discretion of the manufacturer. It is the responsibility of the purchaser to return warranted components to the manufacturer. This warranty is limited to the repair or replacement of this product's components only. CropCare[®] is not to be held liable for incidental or consequential damages of any kind. This warranty covers the purchaser of this product and any other owners who own it during the one (1) year warranty period.

To retain the warranty, the product must be operated and maintained as described by its owner's manual. For warranty service, please have a copy of the purchase invoice available.

Warranty Is Void if:

1. This product has been subjected to, in the opinion of CropCare[®], negligent handling, misuse, an accident or if the instructions in the owner's manual were not completely followed.
2. This product's components have been altered in any manner or repairs have taken place with unapproved parts.

Getting Service

All warranty claims must be made through an authorized CropCare[®] dealer. All warranty claims must be submitted with an invoice or a proof of purchase that denotes the purchase date and place of purchase. If you have any questions or comments concerning this warranty, please contact an authorized CropCare[®] dealer.

Contact Us

We desire to give you continuing service in the best manner possible. This includes listening to your comments, suggestions, and problems. We will do our best to answer all questions thoroughly and in a timely manner. Please feel free to contact our customer service department.

Ordering Parts

Please contact your authorized CropCare® dealer to order replacement parts for your product.

CROPCARE

Manufactured by PBZ LLC
A Paul B Zimmerman Inc. Company

295 Wood Corner Road
Lititz PA 17543
(717) 738-7365
Fax (717) 738-7375
www.CropCareEquipment.com