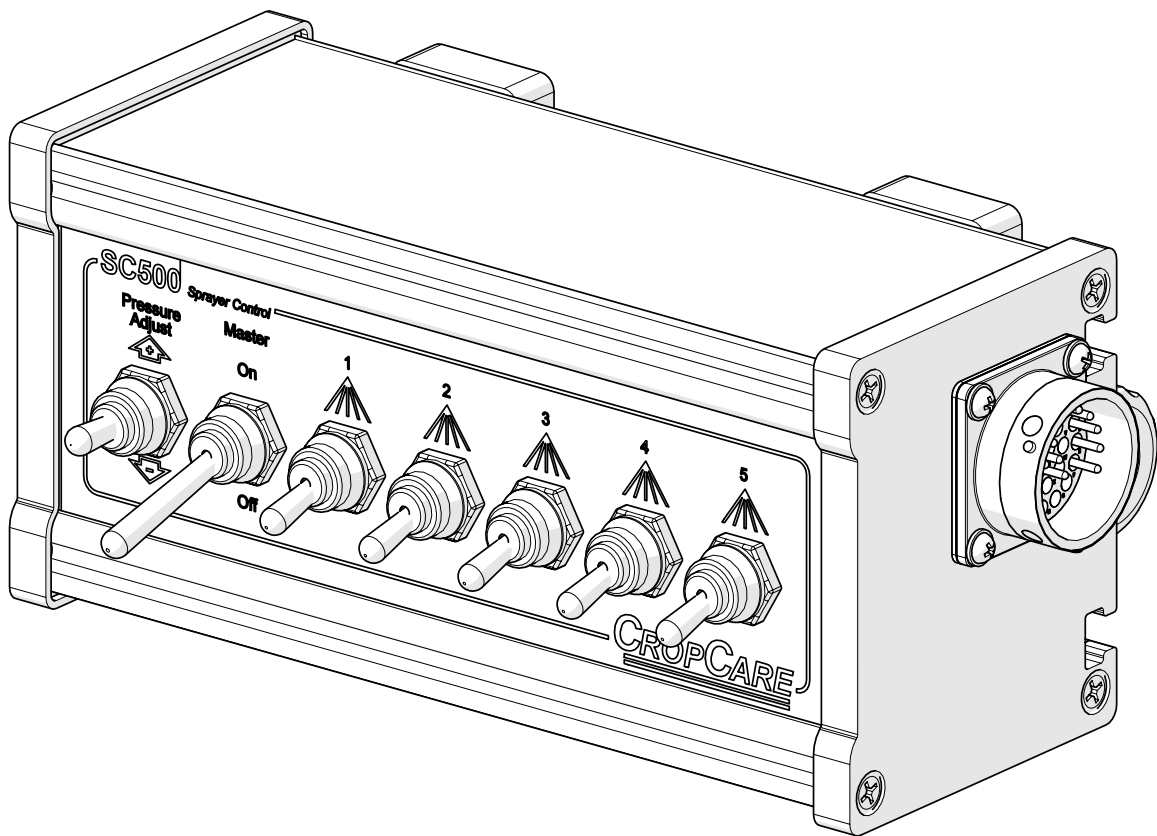




Owner's Manual

Sprayer Control Unit Model: SC500



Manufactured by PBZ LLC
A Paul B Zimmerman Inc. Company
www.CropCareEquipment.com

Form SC500OM
Revision A Rev. Date 01/17

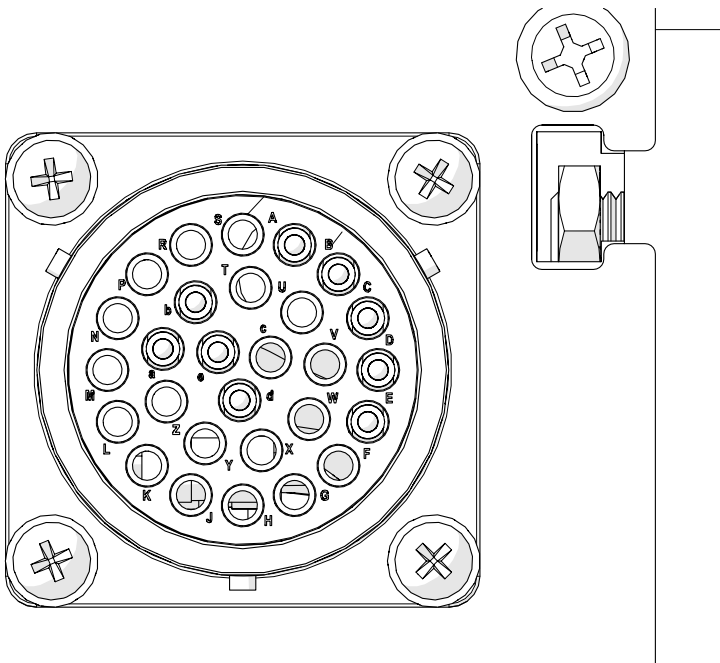
Notes:

Table Of Contents

Installation Procedures.....	3
Control End Wiring Harness.....	3
Control Unit.....	4
Wiring Diagrams.....	5
SC500 Wiring Schematic.....	5
Operating Instructions.....	6
Maintenance Instructions.....	6
Routine Maintenance.....	6
Replacing Switches.....	7
Breakdowns & Parts Lists.....	8
SC500 Breakdown.....	8
SC500 Parts List.....	9
CropCare® Limited Warranty.....	10
Ordering Parts.....	10

Installation Procedures

Control End Wiring Harness



Pin	Color	Signal Name
B	gray	boom 1 (signal)
C	purple	boom 2 (signal)
D	tan	boom 3 (signal)
E	pink	boom 4 (signal)
F	yellow	boom 5 (signal)
a	blue	reg. valve (-)
b	orange	reg. valve (+)
d	red	power (+)
e	black	ground (-)

Figure 4: Control end pin outs

Installation Procedures

Control Unit

1. Install plastic brackets to console using supplied hardware.
2. Position correctly so that the mounting bracket will fit into place when it is installed. Tighten supplied hardware only after positioned correctly.
3. Adjust the angle of the unit by turning the knobs (c) on the sides of the mounting bracket (Figure 2)
4. Determine the best location for the control unit in the tractor cab. Be sure the switches are easily accessible for the operator and that a 12 volt DC power source is easily accessible.
5. Drill two 1/4" holes at the desired mounting location
6. Install the mounting bracket with two 1/4" bolts (a) and nuts (b) as shown (Figure). 1/4" nuts and bolts not included.
7. When using the SC500 control unit on an open station tractor, the control unit must be protected from the elements when not in use.

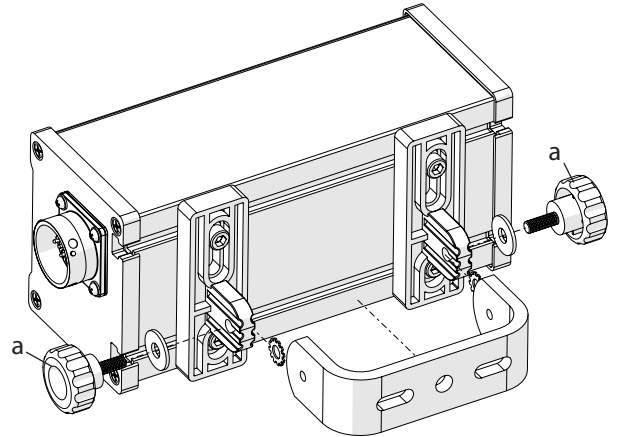
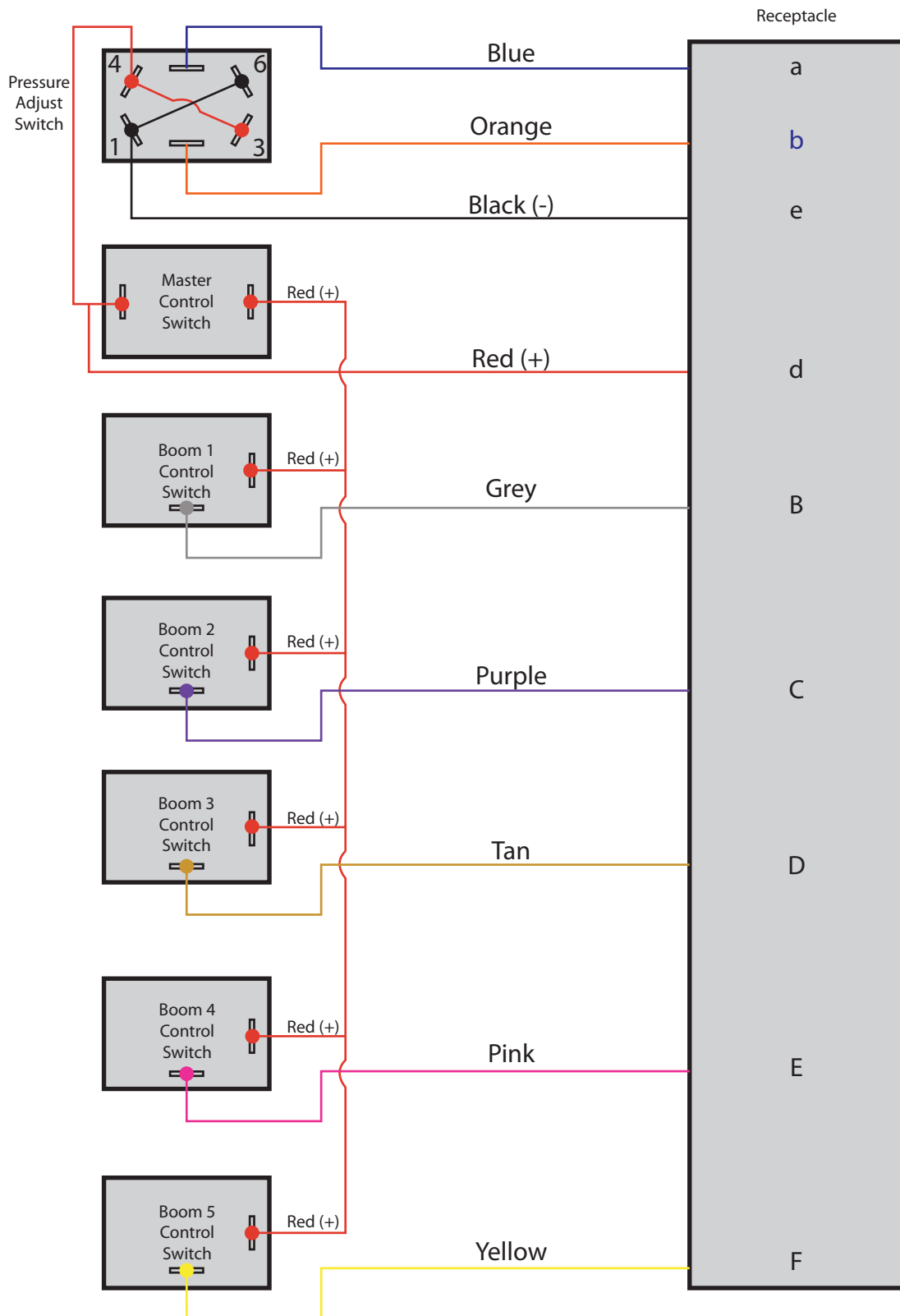


Figure 2: Control unit mounting

Wiring Diagrams

SC500 Wiring Schematic



Operating Instructions

1. The master control switch (a), is the long toggle switch and it controls the power to all boom sections.
2. There are 5 boom control switches (c). Each switch controls a separate boom section. If the master control switch is in the off position, all boom sections are off. If the master switch is in the on position, the individual boom sections can be turned on or off using the boom control switches.
3. The pressure adjustment switch (b) is located to far left of the control unit and is used to raise or lower the spraying pressure. To operate, press and hold the switch up or down until the desired pressure is achieved.

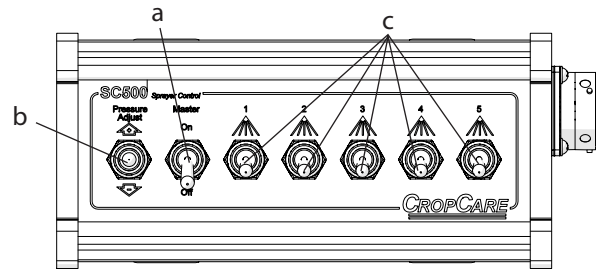


Figure 1: Control unit

Maintenance Instructions

Routine Maintenance

Several routine procedures should be followed to help maintain the SC500 sprayer control unit.

1. Check and be sure the control unit is mounted properly and securely.
2. All terminals and connections should be free of any corrosion.
3. The SC500 control unit is water-resistant but is not water-proof. DO NOT submerge the unit when cleaning.
4. When not in use, store in a dry area away from the elements.

Replacing Switches

Should any of the 7 toggle switches on the SC500 control unit fail or sustain damage, follow these steps to remove the switch and replace it with a new one.

1. Remove the end cap (a) from the control box by removing the four screws (Figure 1).
2. Slide the face plate (b) out of the control box (Figure 1).
3. Disconnect wire terminals (c) from the switch (Figure 1).
4. Remove the rubber switch boot (e) from the selected switch (Figure 1).
5. With the switch boot removed, loosen the nut (d) that holds the switch onto the face plate (Figure 1).
6. With the nut removed the switch can now be removed and replaced with a new one.
7. Note: Be sure the new switch is connected correctly. Refer to the wiring schematic on page 5 for wiring the switches.
8. When the switch is replaced, slide the face plate back into the control box. Be sure the face plate gaskets (f) slide back in properly (Figure 1). Also make sure that the wires slide back in and are not pinched or caught anywhere.

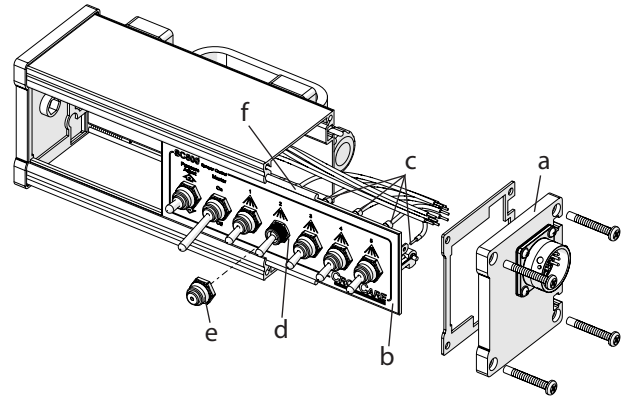
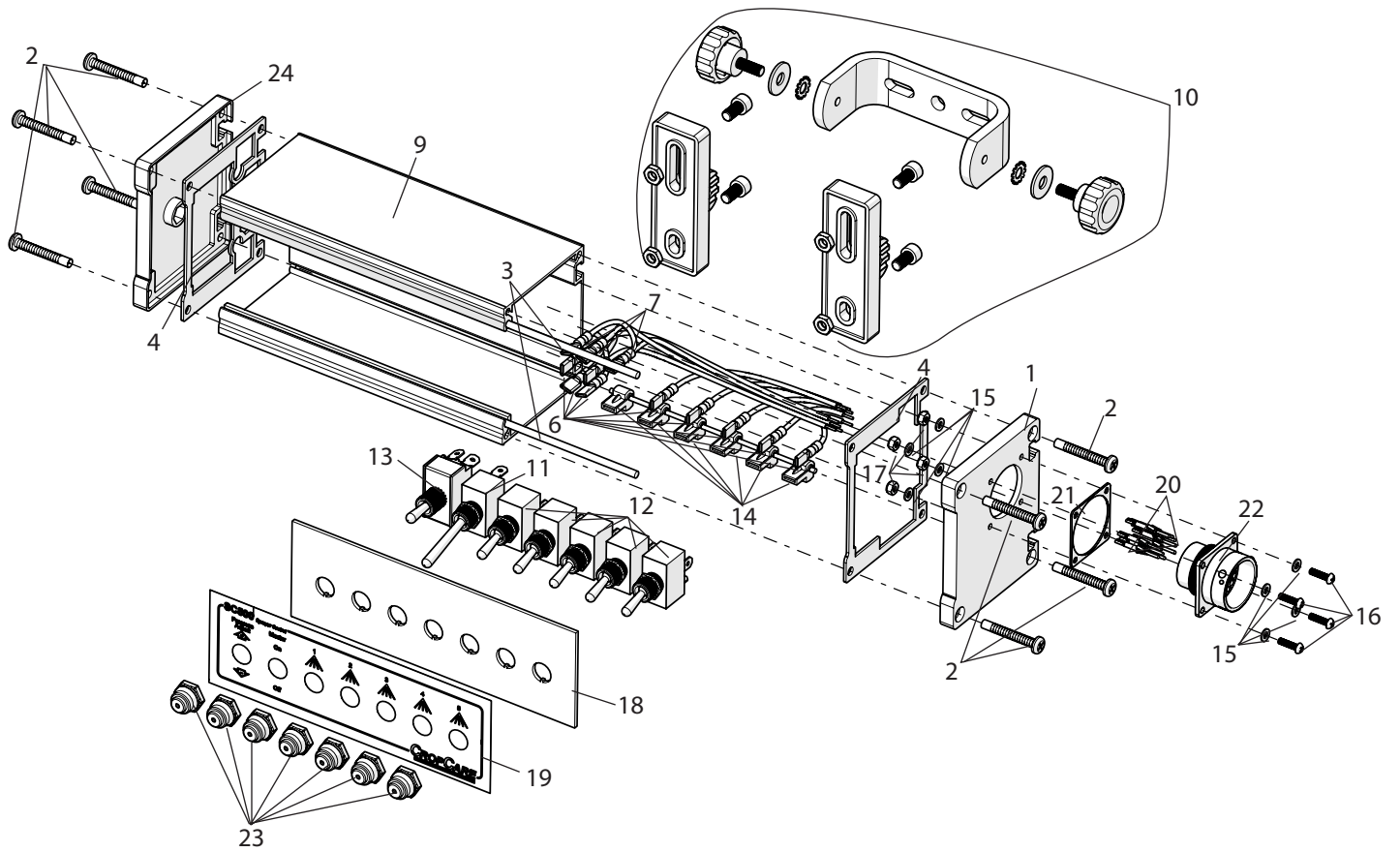


Figure 1: Removing/Replacing switches

Breakdowns & Parts Lists

SC500 Breakdown



Breakdowns & Parts Lists

SC500 Parts List

Ref #	Qty.	Part Number	Description
1	1	S504	Control box, end cap with holes
2	8	100097	Screw, End Cap SC400
3	1.25	250056	O-Ring, Panel SC400 Salv
4	2	250069	Gasket, End Cap SC400 Salv
5	7	400563	Switch, Toggle Half Boot With O-Ring
6	9	506567	Terminal, Spade Female 16-14 gauge insulated 1/4"
7	3	562890	Terminal, Spade Female 12-10 gauge insulated
8	1	760059-01	Extrusion, End Cap Plastic
9	1	760134-187	Extrusion, Aluminum 187 MM
10	1	905046.01	Swivel Mount Kit, SC400 Console
11	1	DC7200030	Switch, Toggle 15A 250V Bat Long Handle
12	5	DC7200102	Switch, Toggle SPST, On-Off Dust-Proof 1/4" Spade Terminal
13	1	DC7300135	Switch, Toggle DPDT (On)-Off-(On)
14	6	DC908075	T-tap, 0.25" Female Self Stripping
15	8	FW5	Washer, Flat #5
16	4	MR540*12	Screw, Machine 5-40 x 1/2" Combo Drive
17	4	NNC540	Nut, Nylon Lock 5-40
18	1	S501	Control box, aluminum switch plate
19	1	S502	Decal, Control Box
20	9	SM16ML1S31	Pin, 16 Ga
21	1	UTFD17B	Gasket, Receptacle #20
22	1	UTG02028P	Standard Circular Connector 28P Pin Receptacle Wall Mount Size 20
23	7	400563	Boot, Switch Toggle Half Boot With O-Ring
24	1	760059-01	Extrusion, End Cap Plastic

* Included in a complete assembly

CropCare[®] Limited Warranty

Sprayer Control Unit: Model SC500

Warranty Coverage

CropCare[®] hereby provides a Limited One (1) Year Warranty on Sprayer Control Units, manufactured by CropCare[®]. Sprayer Control Units manufactured by CropCare[®] are warranted against any manufacturer's defects in any of the control unit's components in the 12 months following the original date of purchase.

Defective components will be repaired or replaced at the discretion of the manufacturer. It is the responsibility of the purchaser to return warranted components to the manufacturer. This warranty is limited to the repair or replacement of control unit components only. CropCare[®] is not to be held liable for incidental or consequential damages of any kind. This warranty covers the purchaser of this control unit and any other owners who own it during the one year warranty period.

To retain the warranty, the control unit must be operated and maintained as ascribed by its owner's manual. For warranty service, please have a copy of the purchase invoice available.

Warranty Is Void if:

1. The control unit has been subjected to, in the opinion of CropCare[®], negligent handling, misuse, an accident or if the instructions in the owner's manual were not completely followed.
2. The control unit's components have been altered in any manner or repairs have taken place with unapproved parts.

Getting Warranty Service

All sprayer control unit warranty claims must be made through the original retailer. All warranty claims must be submitted with an invoice or a proof of purchase that denotes the purchase date and place of purchase. If you have any questions or comments concerning this warranty, please contact the original retailer.

Ordering Parts

Please contact the original retailer to order replacement parts for your product.

CROPCARE

by PBZ®

Manufactured by PBZ LLC
A Paul B Zimmerman Inc. Company
www.CropCareEquipment.com