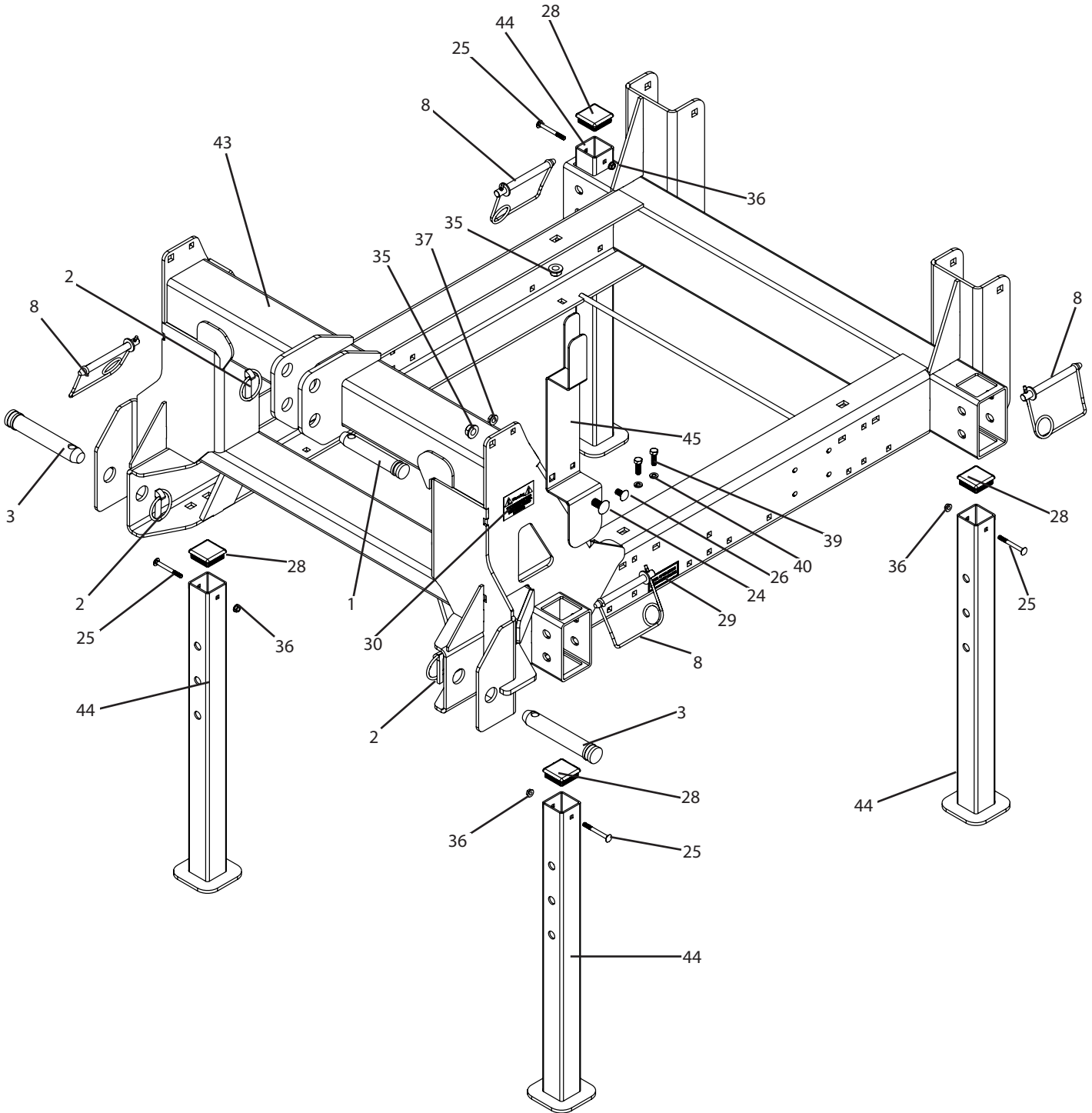
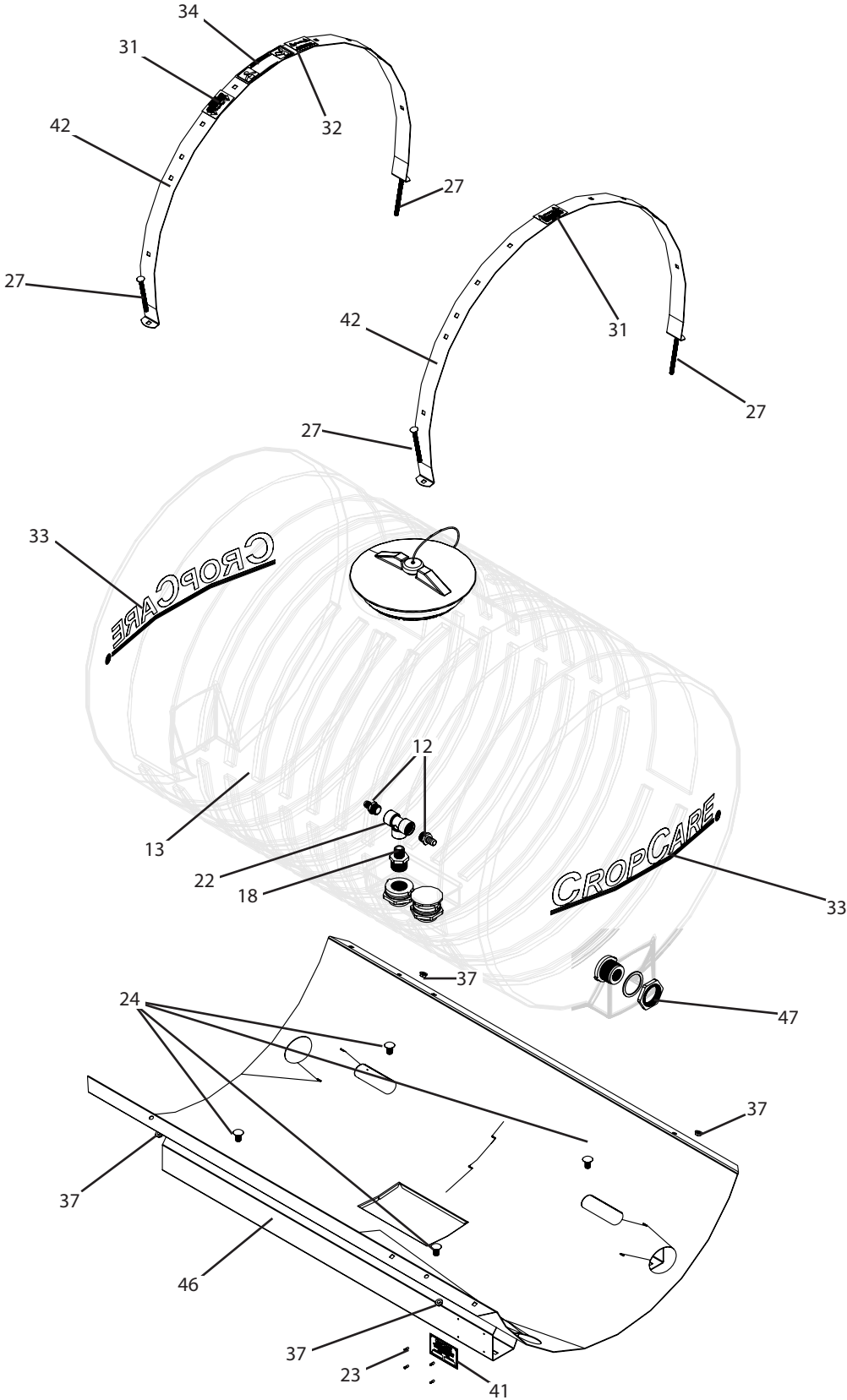


3PT115H, 3PT155H, 3PT205H, and 3PT305H Breakdown

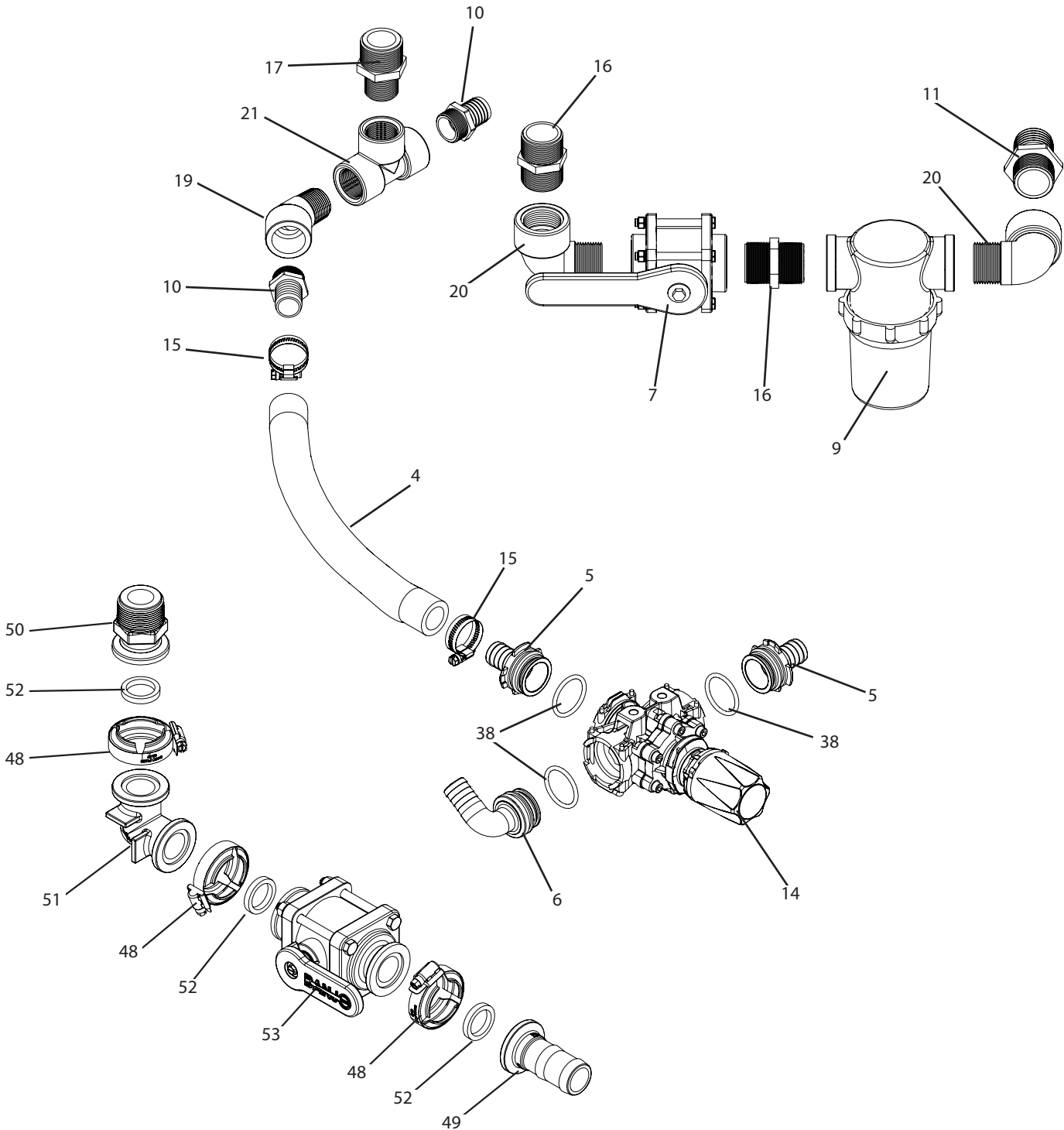
110, 150, 200, and 300 gallon 3PT base kit, configured, high pressure



3PT115H, 3PT155H, 3PT205H, and 3PT305H Breakdown



3PT115H, 3PT155H, 3PT205H, and 3PT305H Breakdown



3PT115H, 3PT155H, 3PT205H, and 3PT305H Breakdown

Ref#	Qty.	Part Number	Description
1	1	03011	Pin, Top Link Cat 2 (4-5/16" Usable)
2	3	03027	Pin, Linch HD 7/16" Black
3	2	07237	Pin, Lift Arm Cat 2 Forged 7" w/5-3/8" Usable
4	1.5 FT	1016	Hose, EPDM Rubber 1" 300 PSI
5	2	1091525	Adapter, Hose T5 Male QC to 1" HB
6	1	1191525	Fitting, T5 Male QC to 90° 1" HB
7	1	125STD	Valve, Ball Bolted 1-1/4" Std Port
8	4	15195	Pin, Snap-Lock 1/2" x 4 1/4"
9	1	33500072A *	Strainer, Line Poly 1-1/4" FPT 50 Mesh Screen EPDM Gasket
10	2	3A100	Adapter, Hose 1" MPT x 1" HB
11	1	3A114112	Adapter, Hose 1-1/4" MPT x 1-1/2" Barb
12	2	3A3458	Adapter, Hose 3/4" MPT x 5/8" HB
13	1	47321 *	Tank, 300 Gallon w/ 2-1/2" Sump Yellow
	1	47323 * +	Tank, 200 Gallon w/ 2" Sump Yellow
	1	47254 * ++	Tank, 150 Gallon w/ 2" Sump Yellow
	1	47194 * ++	Tank, 110 Gallon w/ 2" Sump Yellow
14	1	475552 *	Valve, Pressure Relief T5 QC 290 PSI
15	2	6816052	Hose Clamp, 11/16" - 1-1/2" SS
16	2	8M114	Nipple, 1-1-4" MPT x Close Sch 80 Poly
17	1	8M1141	Nipple, Reducer 1-1/4" MPT x 1" MPT Sch 80 Poly
18	1	8M11434	Nipple, Reducer 1-1/4" MPT x 3/4" MPT Sch 80 Poly
19	1	8SE10045	Elbow, Street 45° 1" NPT Sch 80 Poly
20	2	8SE114	Elbow, Street 90° 1-1/4" NPT Sch 80 Poly
21	1	8TT100	Tee, 1" FPT Sch 80 Poly
22	1	8TT34	Tee, Poly 3/4" FPT Sch 80
23	4	BTT44	Rivet, Pop 1/8" Dia. x .188" x .250" Grip SS
24	5	CB12*1G5	Bolt, Carriage 1/2-13 x 1" Gr 5
25	4	CB14*212G5	Bolt, Carriage 1/4-20 x 2-1/2" Gr 5
26	1	CB38*34G5	Bolt, Carriage 3/8-16 x 3/4" Gr 5
27	4	CB38*412G5 +++	Bolt, Carriage 3/8-16 x 4-1/2" Gr 5
28	4	CC5515	Plug, Poly Square 2" x 10-14 Ga Black
29	1	DE105	Decal, Max Operating Pressure
30	2	DE136	Decal, Disconnecting Sprayer Warning
31	2	DE141	Decal, Warning No Climbing On Sprayer
32	1	DE39	Decal, "Warning Read Owner's Manual"
33	2	DE57	Decal, CropCare Logo 4 7/8" x 24"
34	1	DEMT3980	Decal, "Warning Avoid Injury Follow Labels"
35	5	FN12	Nut, Flange 1/2-13
36	4	FN14	Nut, Flange 1/4-20
37	5	FN38	Nut, Flange 3/8-16

* See support page for component parts breakdowns.

+ Parts are used on 200, 150, and 110 gallon 3PTs (Parts shown are for 300 gallon 3PTs).

++ Parts are used with rinse, quick fill, and chemical education.

+++ Replace with CB38*234 on 200 gallon 3PTs.

3PT115H, 3PT155H, 3PT205H, and 3PT305H Breakdown

Ref#	Qty.	Part Number	Description
38	3	G11063	O-Ring, EDPM T5 Quick Connect
39	2	H5C516*1	Bolt, Hex 5/16-18 x 1" Gr 5
40	2	LW516	Washer, Lock 5/16"
41	1	SP500	Plate, Serial Number, CropCare
42	2	SS38	Tank strap, 300 gallon, gray
	2	SS32 +	Tank strap, 200 gallon, gray
	2	SS30 +	Tank strap, 110 & 150 gallon, gray
43	1	T1301	200-300 Gallon 3PT, Frame
44	4	T1302	200-300 Gallon 3PT, Leg
45	1	T1303	200-300 Gallon 3PT, Hose Loop Holder
46	1	TS3860P	Tank saddle, 300 gallon, gray
	1	TS3260P +	Tank saddle, 200 gallon, gray
	1	TS3051P +	Tank saddle, 150 gallon, gray
	1	TS3034P +	Tank saddle, 110 gallon, gray
47	1	60427 ++	Fitting, Bulkhead 1" FPT Dbl Tap (Requires 2-1/4" Hole)
48	4	FC100 ++	Clamp, Flange 1" Std SS
49	1	M100125BRB ++	Flange, 1-1/4" 90 Degree HB x 1" Flange
50	1	M100125MPT ++	Flange, 1-1/4" MPT x 1" Flange
51	1	M100CPG90 ++	Coupling, 90° 1" Flange x 1" Flange
52	4	M100G ++	Gasket, Manifold EDPM 1"
53	1	MV100CF ++	Valve, Ball 1" Flange x 1" Flange

* See support page for component parts breakdowns.

+ Parts are used on 200, 150, and 110 gallon 3PTs (Parts shown are for 300 gallon 3PTs).

++ Parts are used with rinse, quick fill, and chemical education.

+++ Replace with CB38*234 on 200 gallon 3PTs.