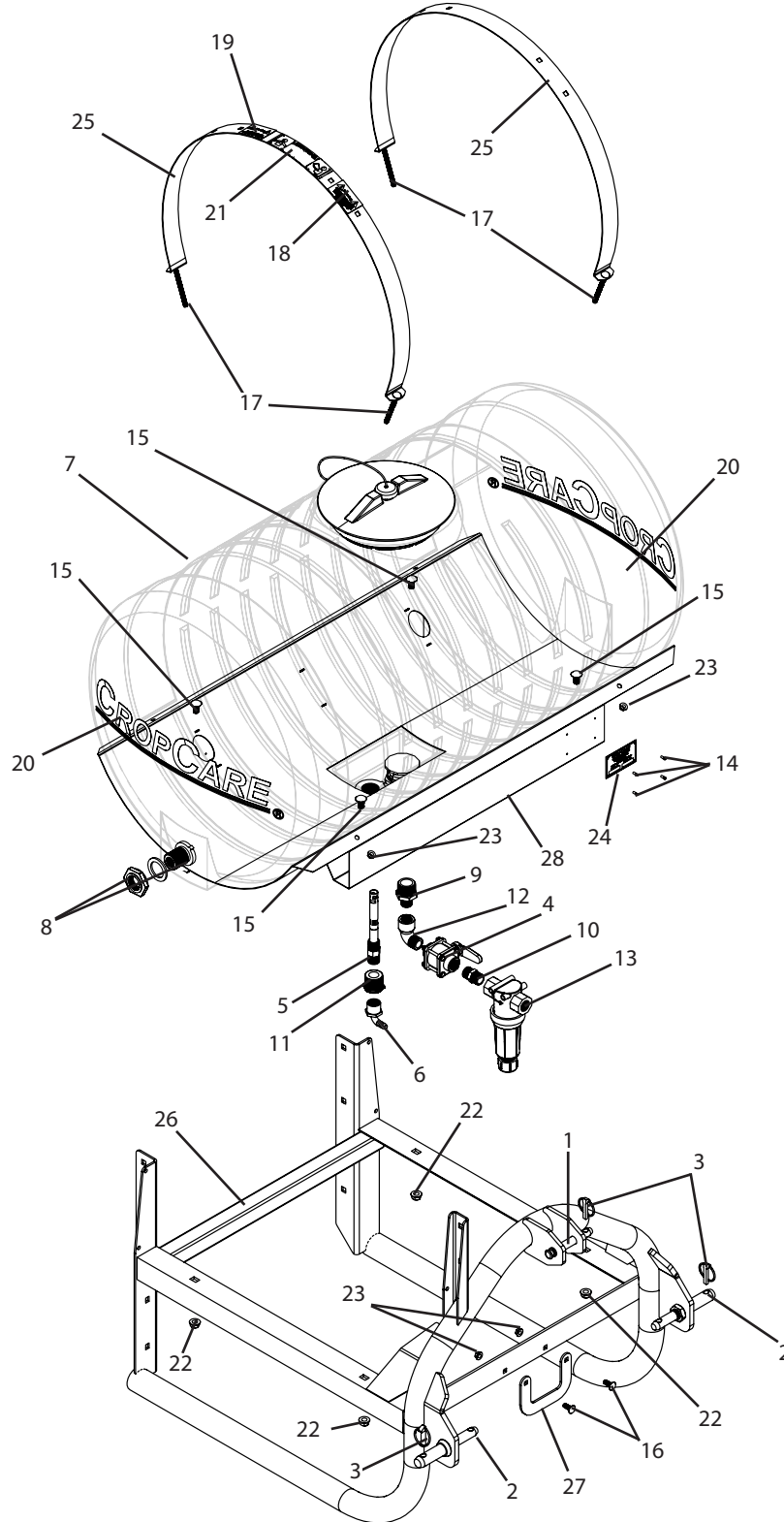


3PT150 Breakdown

150 gallon 3PT hitch sprayer base



3PT150 Breakdown

150 gallon 3PT hitch sprayer base

| Ref# | Qty. | Part Number | Description |
|------|------|--------------|---|
| 1 | 1 | 00074 | Pin, Top Link Cat 1 (3-7/8" Usable) |
| 2 | 2 | 00213 | Pin, Lift Arm Cat 1 & 2 Forged |
| 3 | 3 | 02703 | Pin, Linch 7/16" Cat 1 & 2 |
| 4 | 1 | 075FP | Valve, Ball Bolted 3/4" Full Port |
| 5 | 1 | 33710019 | Agitator, Jet |
| 6 | 1 | 3EL3412F | Adapter, Hose 90° 3/4" FPT x 1/2" HB |
| 7 | 1 | 47254 * | Tank, 150 Gallon w/ 2" Sump Yellow |
| 8 | 1 | 62798 | Fitting, Tank 3/4" FPT Dbl Tap (Requires 1-5/8" Hole) |
| 9 | 1 | 8M11434 | Nipple, Reducer 1-1/4" MPT x 3/4" MPT Sch 80 Poly |
| 10 | 1 | 8M34 | Nipple, 3/4" MPT x Close Sch 80 Poly |
| 11 | 1 | 8RB11434 | Bushing, Reducer 1-1/4" MPT x 3/4" FPT Sch 80 Poly |
| 12 | 1 | 8SE34 | Elbow, Street 90° 3/4" NPT Sch 80 Poly |
| 13 | 1 | AA126ML-3-50 | Strainer, Line 3/4" FPT 50 Mesh Screen Flush out |
| 14 | 4 | BTT44 | Rivet, Pop 1/8" Dia. x .188" x .250" Grip SS |
| 15 | 4 | CB12*1G5 | Bolt, Carriage 1/2-13 x 1" Gr 5 |
| 16 | 2 | CB38*1G5 | Bolt, Carriage 3/8-16 x 1" Gr 5 |
| 17 | 4 | CB38*4G5 | Bolt, Carriage 3/8-16 x 4" Gr 5 |
| 18 | 1 | DE136 | Decal, Disconnecting Sprayer Warning |
| 19 | 1 | DE39 | Decal, "Warning Read Owner's Manual |
| 20 | 2 | DE57 | Decal, CropCare Logo 4 7/8" x 24" |
| 21 | 1 | DEMT3980 | Decal, "Warning Avoid Injury Follow Labels" |
| 22 | 4 | FN12 | Nut, Flange 1/2-13 |
| 23 | 6 | FN38 | Nut, Flange 3/8-16 |
| 24 | 1 | SP500 | Plate, Serial Number |
| 25 | 2 | SS30 | Tank strap, 110 & 150 gallon, gray |
| 26 | 1 | T150 | Frame, 3PT, 110 & 150 gallon, gray |
| 27 | 1 | T411 | Hose guide plate |
| 28 | 1 | TS3051P | Tank saddle, 150 gallon, gray |

* Component parts breakdowns are available for this part.