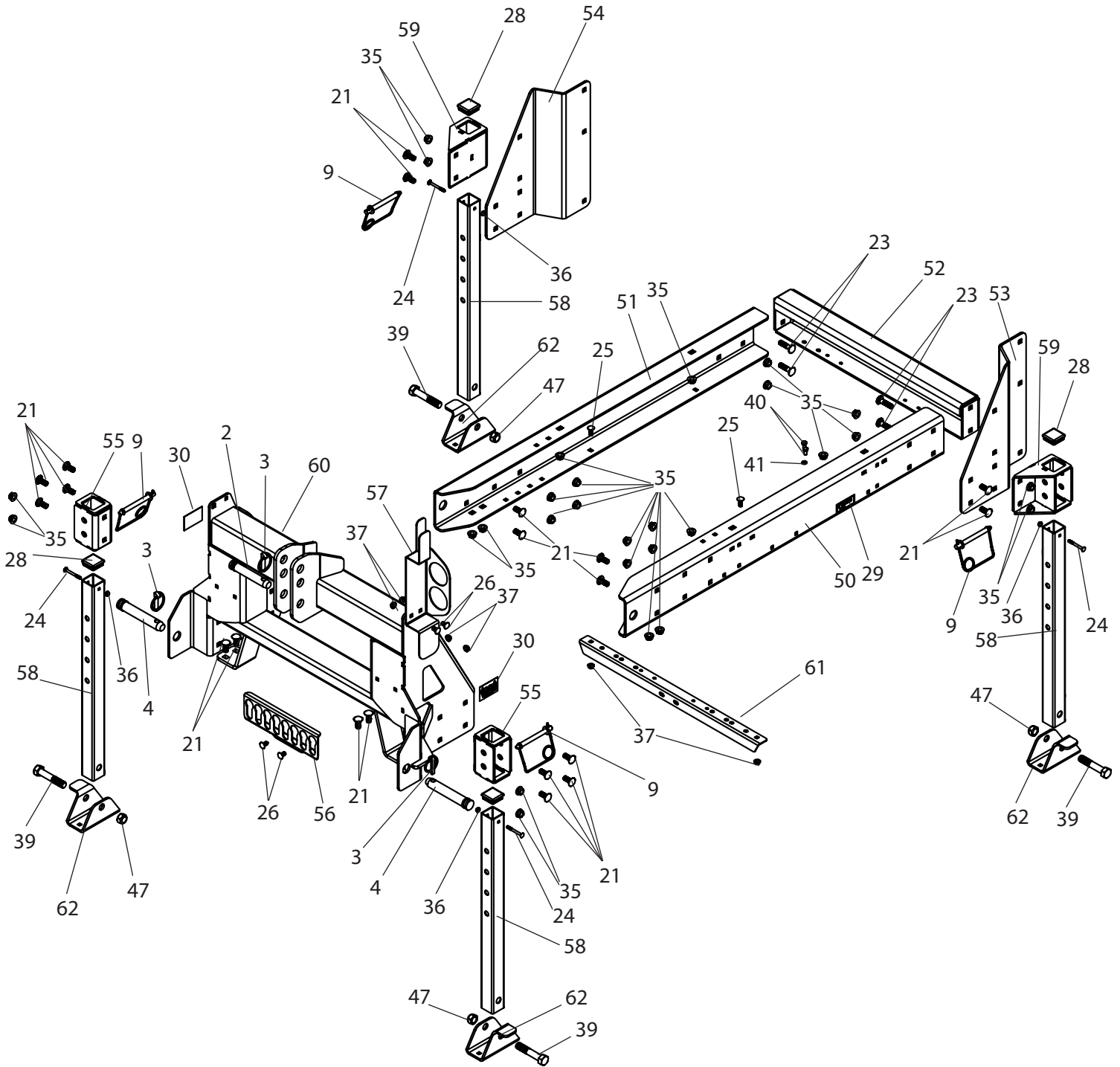


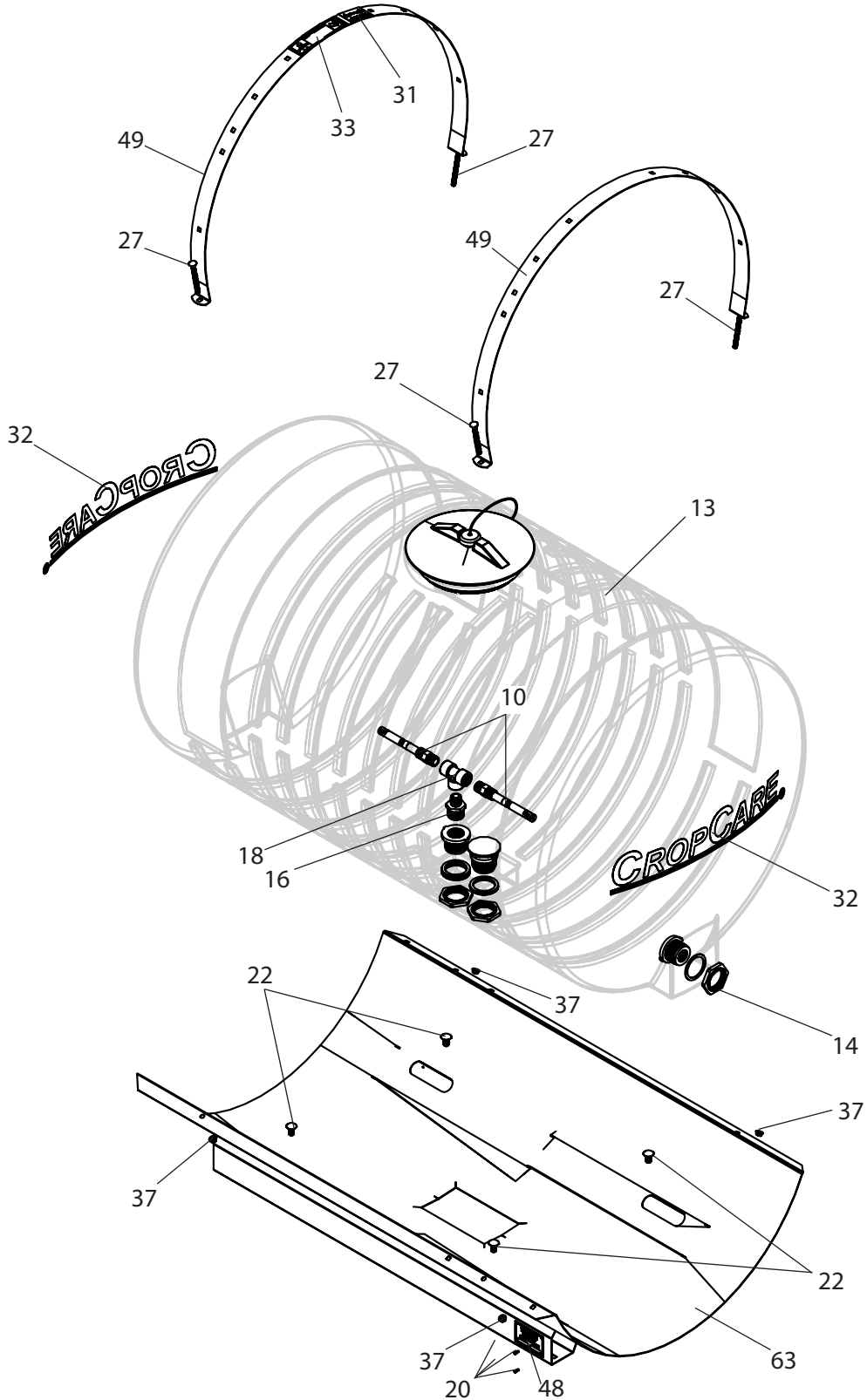
3PT205 and 3PT305 Breakdown

200 & 300 gallon 3PT base kit, configured



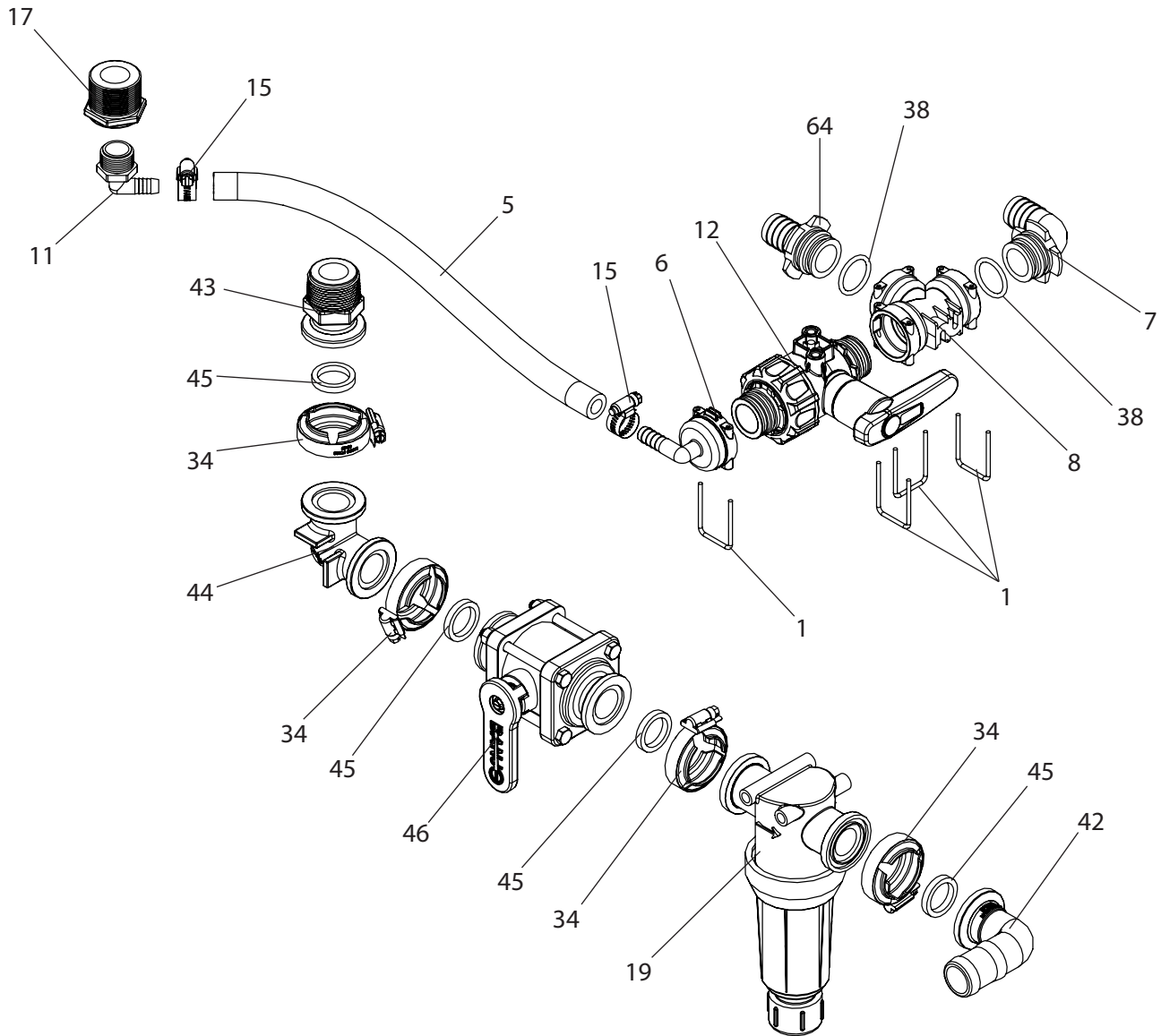
3PT205 and 3PT305 Breakdown

200 & 300 gallon 3PT base kit, configured



3PT205 and 3PT305 Breakdown

200 & 300 gallon 3PT base kit, configured



3PT205 and 3PT305 Breakdown

200 & 300 gallon 3PT base kit, configured

Ref#	Qty.	Part Number	Description
1	4	010004	Connector, T4 Fork
2	1	03011	Pin, Top Link Cat 2 (4-5/16" Usable)
3	3	03027	Pin, Linch HD 7/16" Black
4	2	07237	Pin, Lift Arm Cat 2 Forged 7" w/5-3/8" Usable
5	1.5 FT	1008	Hose, EPDM Rubber 1/2" 300 PSI
6	1	1190413	Elbow, T4 Female QC x 1/2" 90° HB
7	1	1191425	Elbow, T4 Male QC x 1" 90° HB
8	1	139044	Tee, T4 QC 1-1/4" Full Port w/M6 Screws
9	4	15195	Pin, Snap-Lock 1/2" x 4 1/4"
10	2	33710019	Agitator, Jet
11	1	3EL3412	Adapter, Hose Ell 3/4" MPT x 1/2" HB
12	1	45514404A	Valve, Ball 2-Way T4M w/M8 Mounting Extended Handle
13	1	47321 * +	Tank, 300 Gallon w/ 2-1/2" Sump Yellow
-	1	47323 ** +	Tank, 200 Gallon w/ 2" Sump Yellow
14	1	60427	Fitting, Bulkhead 1" FPT Dbl Tap (Requires 2-1/4" Hole)
15	2	6806052	Hose Clamp, 1/2" - 29/32" SS
16	1	8M11434	Nipple, Reducer 1-1/4" MPT x 3/4" MPT Sch 80 Poly
17	1	8RB11434	Bushing, Reducer 1-1/4" MPT x 3/4" FPT Sch 80 Poly
18	1	8TT34	Tee, Poly 3/4" FPT Sch 80
19	1	AA126ML-F50-50 +	Strainer, Line 1" Flange 50 Mesh Screen Flush Out
20	4	BTT44	Rivet, Pop 1/8" Dia. x .188" x .250" Grip SS
21	20	CB12*114G5	Bolt, Carriage 1/2-13 x 1-1/4" Gr 5
22	4	CB12*1G5	Bolt, Carriage 1/2-13 x 1" Gr 5
23	4	CB12*2G5	Bolt, Carriage 1/2-13 x 2" Gr 5
24	4	CB14*212G5	Bolt, Carriage 1/4-20 x 2-1/2" Gr 5
25	2	CB38*1G5	Bolt, Carriage 3/8-16 x 1" Gr 5
26	4	CB38*34G5	Bolt, Carriage 3/8-16 x 3/4" Gr 5
27	4	CB38*412G5 *	Bolt, Carriage 3/8-16 x 4-1/2" Gr 5
-	4	CB38*234G5 **	Bolt, Carriage 3/8-16 x 2 3/4" Gr 5
28	4	CC5515	Plug, Poly Square 2" x 10-14 Ga Black
29	1	DE104	Decal, Agitation Valve
30	2	DE136	Decal, Disconnecting Sprayer Warning
31	1	DE39	Decal, "Warning Read Owner's Manual" 2" x 3"
32	2	DE57	Decal, CropCare Logo 4 7/8" x 24"
33	1	DEMT3980	Decal, "Warning Avoid Injury Follow Labels"
34	4	FC100	Clamp, Flange 1" Std SS
35	28	FN12	Nut, Flange 1/2-13
36	4	FN14	Nut, Flange 1/4-20
37	10	FN38	Nut, Flange 3/8-16
38	2	G11054	O-Ring, EDPM T4 Quick Connect

* Parts used on 300 gallon 3pt sprayers.

** Parts used on 200 gallon 3pt sprayers.

*** Replaced with M100125BRB (Fitting, Flange 1-1/4" HB x 1" Flange) when used with rinse, education, and quick fill.

+ Has component parts breakdown available.

3PT205 and 3PT305 Breakdown

200& 300 gallon 3PT base kit, configured

Ref#	Qty.	Part Number	Description
39	4	H5C34*4	Bolt, Hex 3/4-10 x 4" Gr 5
40	2	H8*16M	Bolt, Hex 8mm x 16mm 1.25 Pitch 10.9 Zinc
41	2	LW516	Washer, Lock 5/16"
42	1	M100125BRB90 ***	Flange, 1-1/4" 90 Degree HB x 1" Flange
43	1	M100125MPT	Flange, 1-1/4" MPT x 1" Flange
44	1	M100CPG90	Coupling, 90° 1" Flange x 1" Flange
45	4	M100G	Gasket, Manifold EDPM 1"
46	1	MV100CF	Valve, Ball 1" Flange x 1" Flange
47	4	SNC34	Nut, Lock Steel 3/4-10
48	1	SP500	Plate, Serial Number
49	2	SS38 *	Tank strap, 300 gallon, gray
-	2	SS32 **	Tank strap, 200 gallon, gray
50	1	T301	Frame Rail, 3PT200-305, Left
51	1	T302	Frame Rail, 3PT200-305, Right
52	1	T303	Frame Rail, 3PT200-305, Rear
53	1	T304	Boom Mount Plate, 3PT200-305, Left
54	1	T305	Boom Mount Plate, 3PT200-305, Right
55	2	T310	200-300 3PT, Adj Leg Brackets
56	1	T322	3PT200-305 Hydraulic hose holder, 8 ports
57	1	T330	200/300 3PT, Hose Loop Holder
58	4	T331	3pt leg, 200-300 gallon
59	2	T332	200-300 3PT, Rear Adj Leg Brackets
60	1	T335	200-300 3PT, 3PT Cat 2 Weldment
61	1	T465	Rear Hose Routing Mount
62	4	T597	3pt sprayer, foot plate
63	1	TS3860P *	Tank saddle, 300 gallon, gray
-	1	TS3260P **	Tank saddle, 200 gallon, gray
64	1	1091425	Fitting, T4 Male Straight x 1" HB

* Parts used on 300 gallon 3pt sprayers.

** Parts used on 200 gallon 3pt sprayers.

*** Replaced with M100125BRB (Fitting, Flange 1-1/4" HB x 1" Flange) when used with rinse, education, and quick fill.

+ Has component parts breakdown available.