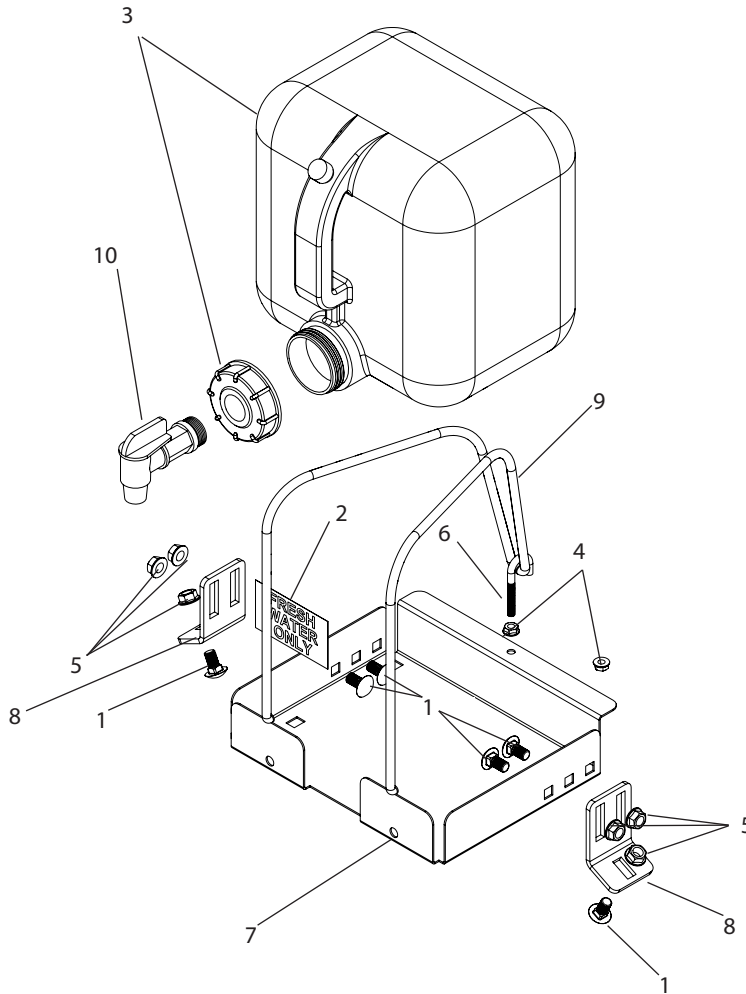


## A116 Breakdown

### 2.5 Gallon Fresh Water Safety Tank



Ref#	Qty.	Part Number	Description
1	6	CB38*34G5	Bolt, Carriage 3/8-16 x 3/4" Gr 5
2	1	DE21	Decal, "Fresh Water Only"
3	1	F2503	Tank, 2.5 Gal White Foamer
4	2	FN14	Nut, Flange 1/4-20
5	6	FN38	Nut, Flange 3/8-16
6	1	N232884	Bolt, J-Bolt 1/4-20 x 2 5/16" Zinc
7	1	T555	Tank pan, black, for 2.5 gal fresh water
8	2	T555A	Brace, black, for 2.5 gallon tank pan
9	1	T555B	Bungee cord, 5/16" x 36" long, fresh water kit
10	1	VDB34	Valve, Drum & Barrel 3/4" MPT PVC White

**Additional Parts:**

-For Small Trailers (200gal,300gal,400gal): 3EL3412 (1), 3D3412 (1), HC067 (2), 21010010 (1), 1971 HOSE (3FT).

-For 3PT300: 8M34 (1), 8F34 (1).

-For 3PT400: 8F34 (1), 8M34\*4 (1).