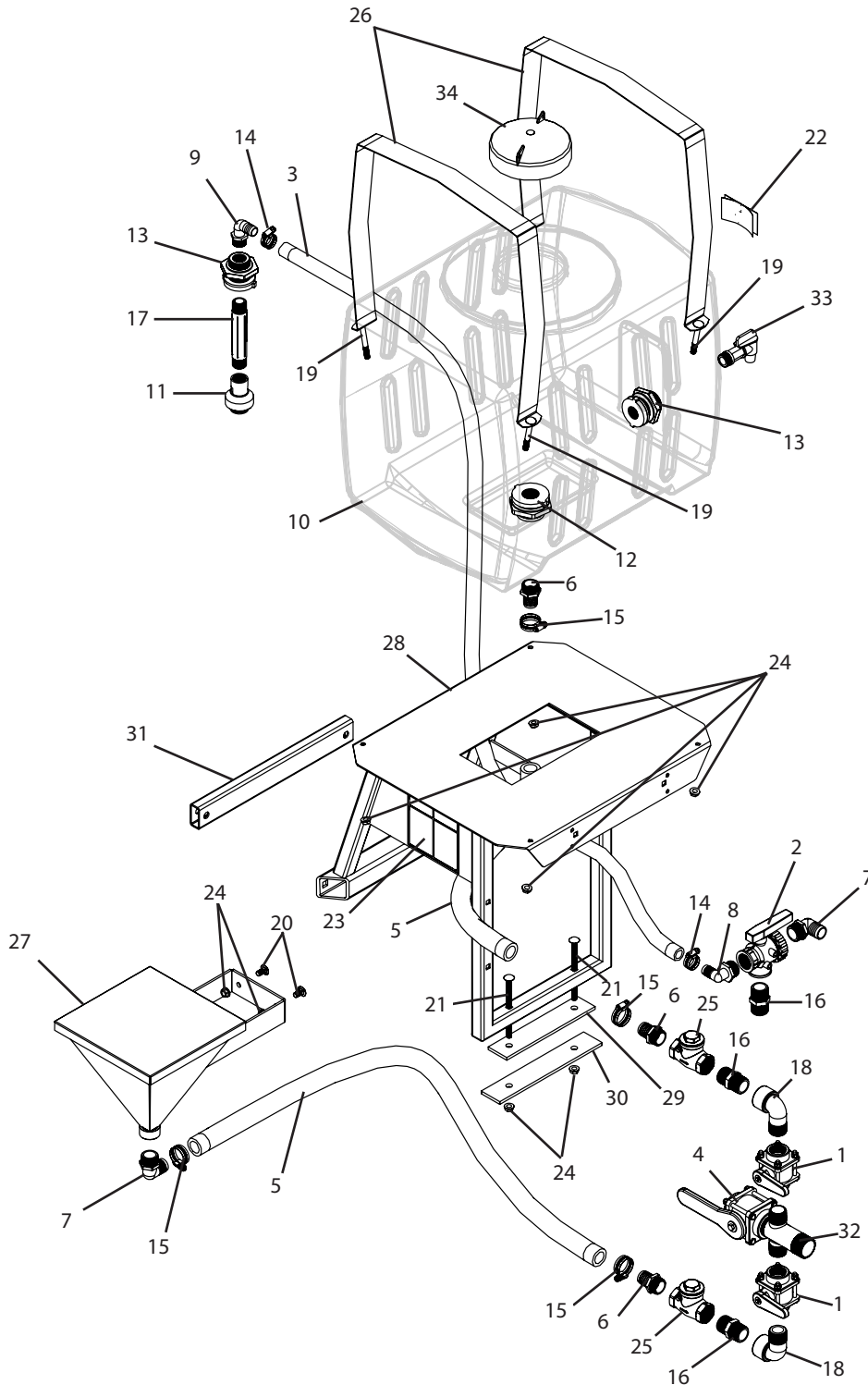


A119 Breakdown

30 gallon rinse and chemical induction system, TR300



A119 Breakdown

30 gallon rinse and chemical induction system, TR300

Ref#	Qty.	Part Number	Description
1	2	100STD	Valve, Ball Valve Bolted 1" Std Port
2	1	100SUBV3	Valve, Ball 3-Way Union 1" FPT
3	8	1012 FT	Hose, EPDM Rubber 3/4" 300 PSI
4	1	125STD	Valve, Ball Bolted 1-1/4" Std Port
5	6	3110 FT	Hose, Suction EPDM Blend 1" 80 PSI
6	3	3A100	Adapter, Hose 1" MPT x 1" HB
7	2	3EL100	Adapter, Hose Ell 1" MPT x 1" HB
8	1	3EL10034	Adapter, Hose Ell 1" MPT x 3/4" HB
9	1	3EL3434	Adapter, Hose 90° 3/4" MPT x 3/4" HB
10	1	47026	Tank, 30 Gal W/ Sump Yellow
11	1	55270-3/4-18-POM	Nozzle, Tank Rinse 3/4" FPT Black
12	1	60427	Fitting, Bulkhead 1" FPT Dbl Tap (Requires 2-1/4" Hole)
13	2	62798	Fitting, Tank 3/4" FPT Dbl Tap (Requires 1-5/8" Hole)
14	2	6812052	Hose Clamp, 1/2" - 1-1/4" SS
15	4	6816052	Hose Clamp, 11/16" - 1-1/2" SS
16	3	8M100	Nipple, 1" MPT x Short Sch 80 Poly
17	1	8M34*6	Nipple, 3/4" MPT x 6" Sch 80 Poly
18	2	8SE100	Elbow, Street 90° 1" NPT Sch 80 Poly
19	4	CB38*3G5	Bolt, Carriage 3/8-16 x 3" Gr 5
20	2	CB38*34G5	Bolt, Carriage 3/8-16 x 3/4" Gr 5
21	2	CB38*512G5	Bolt, Carriage 3/8-16 x 5-1/2" Gr 5
22	1	DE21	Decal, "Fresh Water Only"
23	1	DE60	Decal, Induction Valve Position TR300
24	8	FN38	Nut, Flange 3/8-16
25	2	SCV15	Valve, Check Swing 1" FPT 200 PSI SS
26	2	SS54	Tank strap, 30 gallon rinse tank, gray
27	1	T239	Chemical induction tank, 1" FPT, stainless
28	1	T516	Rinse tank mount, 30 gallon, TR300
29	1	T516A	Clip, Tank Mount "Short"
30	1	T516B	Clip, Tank Mount "Long"
31	1	T516C	Spacer, Tank Mount 1" x 2"
32	1	T518	Manifold, (2) 1 1/4" MPT, (2) 1" MPT, stainless
33	1	VDB34	Valve, Drum & Barrel 3/4" MPT PVC White
34	1	63484	Lid, 5" Tank (30, 55, 85 gal)

*Component parts breakdowns are available for the indicated components.