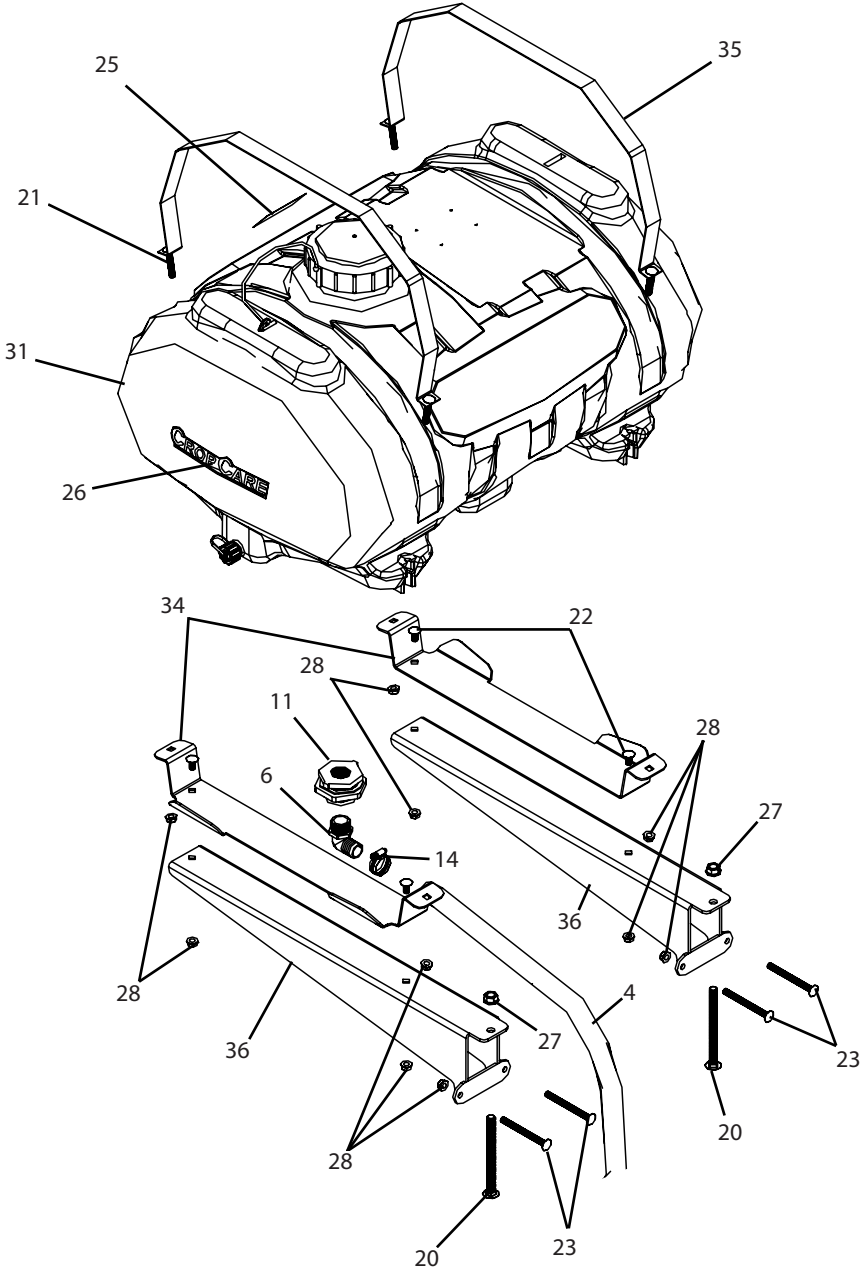


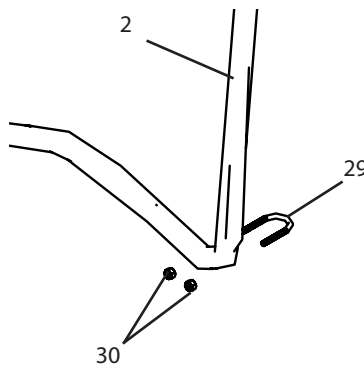
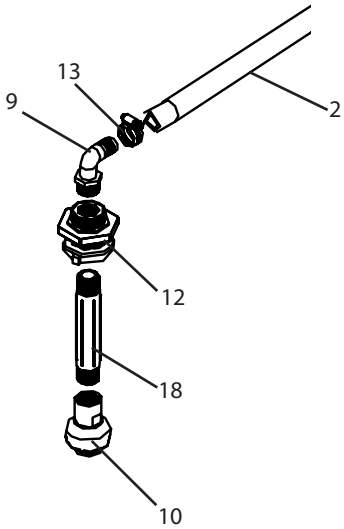
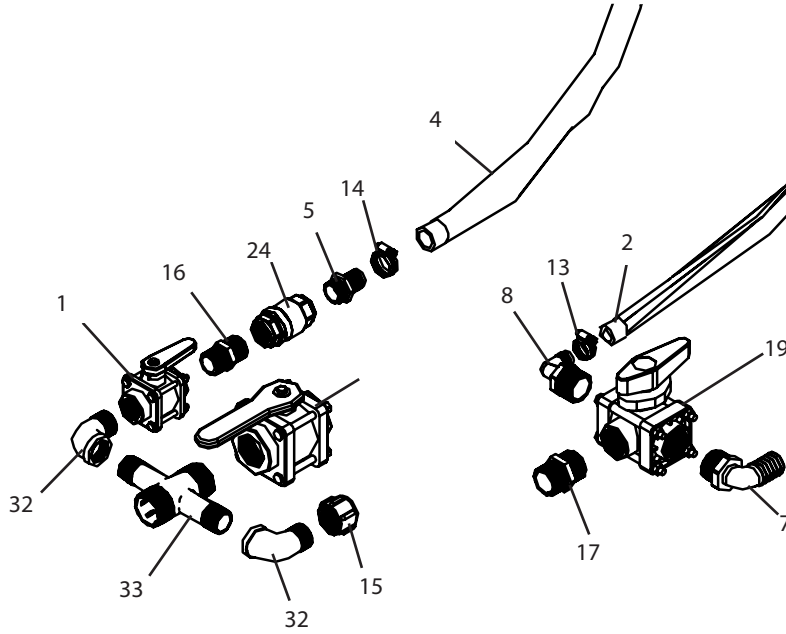
## A200 Breakdown

### 40 gallon rinse system, TR520



## A200 Breakdown

### 40 gallon rinse system, TR520



## A200 Breakdown

### 40 gallon rinse system, TR520

Ref#	Qty.	Part Number	Description
1	1	100STD	Valve, Ball Valve Bolted 1" Std Port
2	26 FT	1012	Hose, EPDM Rubber 3/4" 300 PSI
3	1	150FP	Valve, Ball bolted 1 1/2" full port
4	5 FT	3110	Hose, Suction EPDM Blend 1" 80 PSI
5	1	3A100	Adapter, Hose 1" MPT x 1" HB
6	1	3EL100	Adapter, Hose Ell 1" MPT x 1" HB
7	1	3EL114	Elbow, Hose 90° 1-1/4" MPT x 1-1/4" Barb
8	1	3EL11434	Adapter, Hose 90° 1-1/4" MPT x 3/4" HB
9	1	3EL3434	Adapter, Hose 90° 3/4" MPT x 3/4" HB
10	1	55270-3/4-18-POM	Nozzle, Tank Rinse 3/4" FPT Black
11	1	60427	Fitting, Bulkhead 1" FPT Dbl Tap (Requires 2-1/4" Hole)
12	1	62798	Fitting, Tank 3/4" FPT Dbl Tap (Requires 1-5/8" Hole)
13	2	6812052	Hose Clamp, 1/2" - 1-1/4" SS
14	2	6816052	Hose Clamp, 11/16" - 1-1/2" SS
15	1	8CA100	Cap, Pipe 1" FPT Sch 80 Poly
16	1	8M100	Nipple, 1" MPT x Short Sch 80 Poly
17	1	8M114	Nipple, 1-1/4" MPT x Close Sch 80 Poly
18	1	8M34*6	Nipple, 3/4" MPT x 6" Sch 80 Poly
19	1	AA346M3114PP	Valve, Ball 3-Way 1-1/4" FPT No Shutoff
20	2	CB12*6G5	Bolt, Carriage 1/2-13 x 6" Gr 5
21	4	CB38*2G5	Bolt, Carriage 3/8-16 x 2" Gr 5
22	4	CB38*34G5	Bolt, Carriage 3/8-16 x 3/4" Gr 5
23	4	CB38*4G5	Bolt, Carriage 3/8-16 x 4" Gr 5
24	1	CV15	Valve, Check 1" FPT Stainless/viton
25	1	DE21	Decal, "Fresh Water Only
26	1	DE46	Decal, CropCare Logo 1.9" x 8.8"
27	2	FN12	Nut, Flange 1/2-13
28	12	FN38	Nut, Flange 3/8-16
29	1	N222083	Bolt, U-Bolt Round 1/4-20 x 1-1/8" x 2-1/4" Zinc
30	2	NNC14	Nut, Lock Nylon 1/4-20
31	1	SB00040SY *	Tank, 40 Gal Blow Molded w/Lid Lanyard Outlet Cap Gasket and Tether
32	2	SE15	Elbow, Street 1" NPT SS
33	1	T521	Manifold, 1 1/2" MPT, stainless, 4 ports
34	2	T722	Bracket, Mounting 40 & 60 Gallon Tanks
35	2	T723	Tank strap for 40gal DenHartog tank
36	2	T818	Rinse tank mounting arm

\*Component parts breakdowns are available for the indicated components.