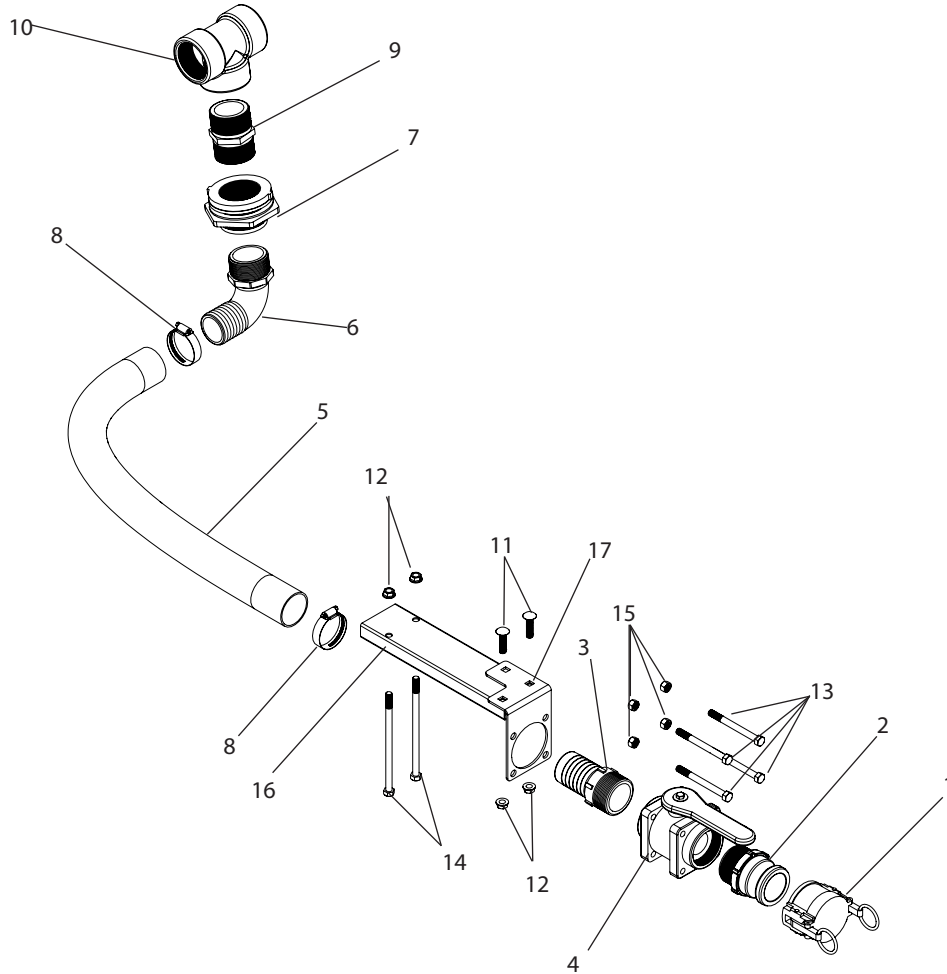


## A207 Breakdown

### 2" Quick Fill to Tank, Male Coupler



Ref#	Qty.	Part Number	Description
1	1	200DCS	Dust Cap, 2" Male Coupler
2	1	200F	Coupler, 2" Male w/2" MPT
3	1	200KN	Nipple, King 2" MPT x 2" HB
4	1	200STD	Valve, Ball Bolted 2" standard port
5	3	3120	Hose, Suction 2" EPDM Blend 60 PSI
6	1	3EL200	Adapter, Hose 90° 2" MPT x 2" HB
7	1	60405	Fitting, Tank 2" Fitting Dbl Tap (Requires a 3" Hole)
8	2	6832	Hose Clamp, 1-1/2" - 2-1/2" SS
9	1	8M200	Nipple, 2" MPT x Close Sch 80 Poly
10	1	8TT200	Tee, 2" FPT, schedule 80 poly
11	2	CB38*112G5	Bolt, Carriage 3/8-16 x 1-1/2" Gr 5
12	4	FN38	Nut, Flange 3/8-16
13	4	H38*4S	Bolt, Hex 3/8-16 x 4" SS
14	2	H5C38*612	Bolt, Hex 3/8-16 x 6-1/2" Gr 5
15	4	NC38S	Nut, Hex 3/8-16 SS
16	1	T822	Quick fill bracket extension
17	1	VMT	Mounting plate, for quick fill ball valve