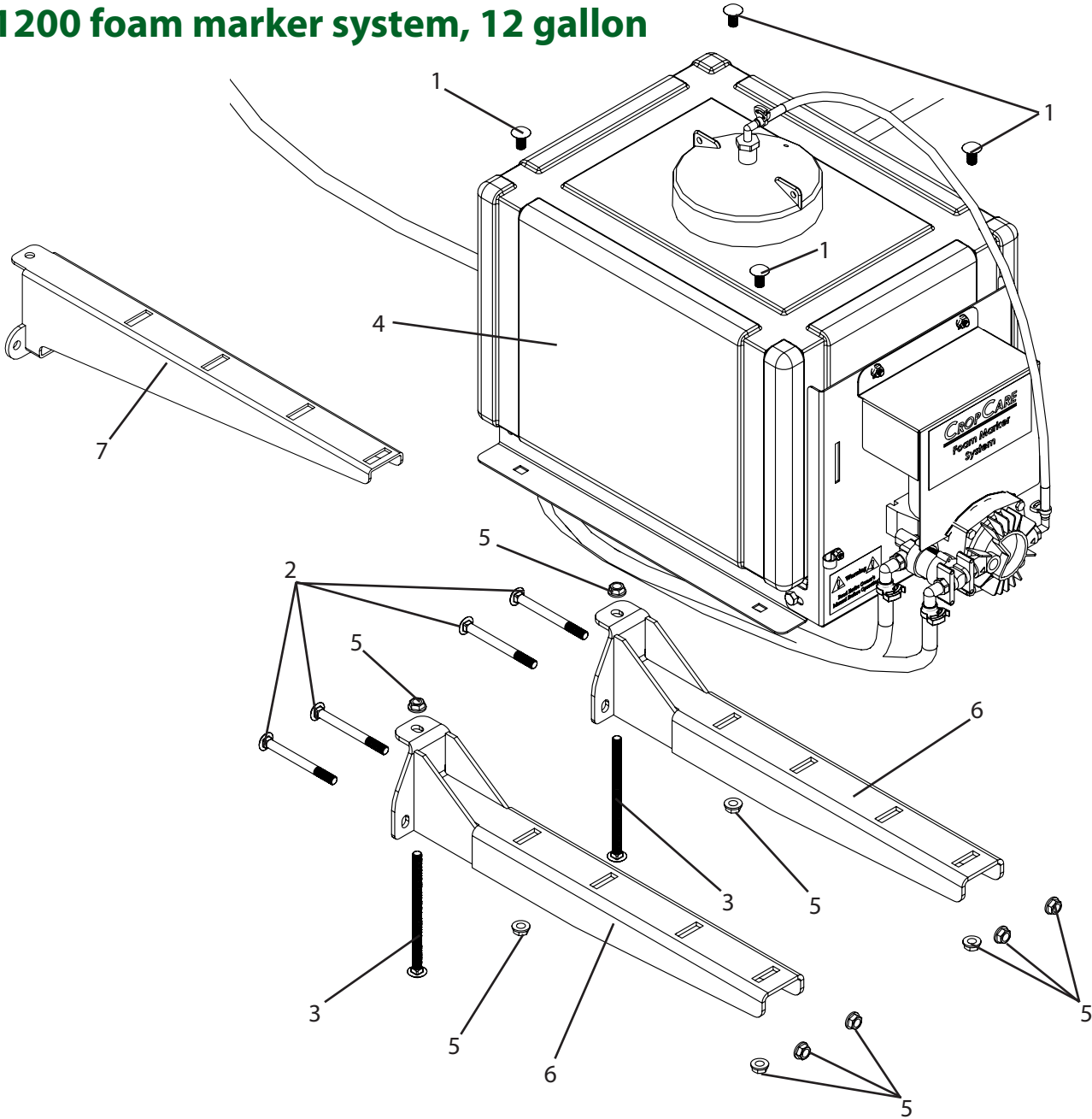


## A210 Breakdown

### F1200 foam marker system, 12 gallon



Ref#	Qty.	Part Number	Description
1	4	CB38*34G5	Bolt, Carriage 3/8-16 x 3/4" Gr 5
2	4	CB38*4G5	Bolt, Carriage 3/8-16 x 4" Gr 5
3	2	CB38*6G5	Bolt, Carriage 3/8-16 x 6" Gr 5
4	1	F1200A *	Foam Marker, System 5 Gal CropCare
5	10	FN38	Nut, Flange 3/8-16
6	2	T881	Mounting bracket, foam marker
7	2	T819 **	Foamer mounting bracket

\* Has component parts breakdown.

\*\* With BF60H, BF45H, and BF25SH; replaced with T881.