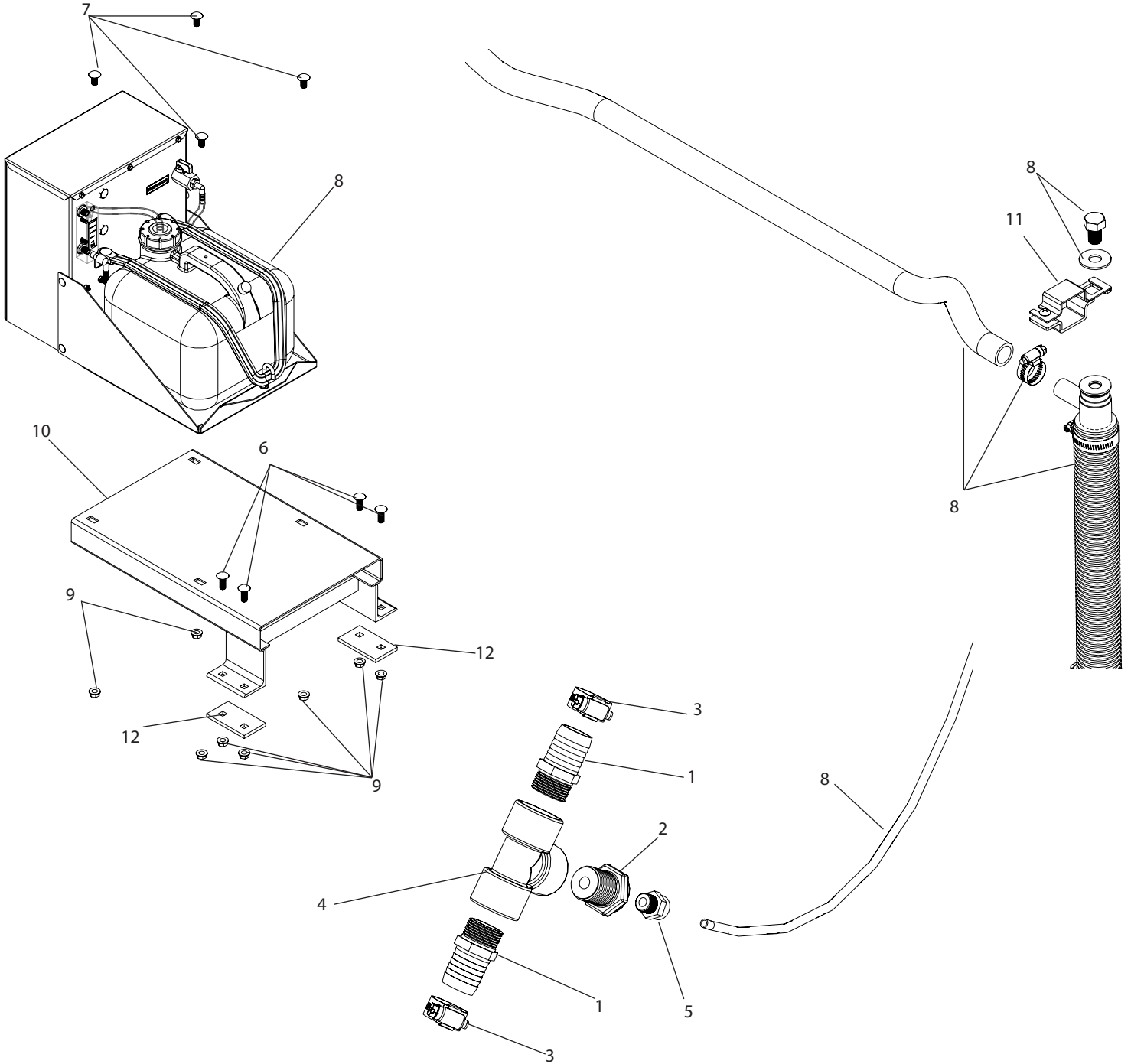


A242 Breakdown

Injection Foam Marker Kit for TR300



A242 Breakdown

Ref#	Qty.	Part Number	Description
1	2	3A34100	Fitting, Hose 3/4" MPT x 1" HB
2	1	3RB3414	Bushing, Reducer 3/4" MPT x 1/4" FPT Sch 40 poly
3	2	6812052	Hose Clamp, 1/2" - 1-1/4" SS
4	1	8TT34	Tee, Poly 3/4" FPT Sch 80
5	1	A4MC4	Adapter, TrueSeal 1/4" MPT x 1/4" Tube
6	4	CB38*1G5	Bolt, Carriage 3/8-16 x 1" Gr 5
7	4	CB38*34G5	Bolt, Carriage 3/8-16 x 3/4" Gr 5
8	1	F1000I*	Foam Marker, Injection System 2.5 Gallon Capacity
9	8	FN38	Nut, Flange 3/8-16
10	1	FOAMBKT	"Foamer mounting bracket, TR300, requires (2) T515 mounting clips"
11	2	AA111SQ114**	Clamp, Square Assembly Boom 1-1/4" Tube
12	2	T515	Mounting clip for FOAMBKT

*Additional breakdowns available (see owners manual).

**Replace with AA11134 on a 30' manual fold boom; Not required on an HX45