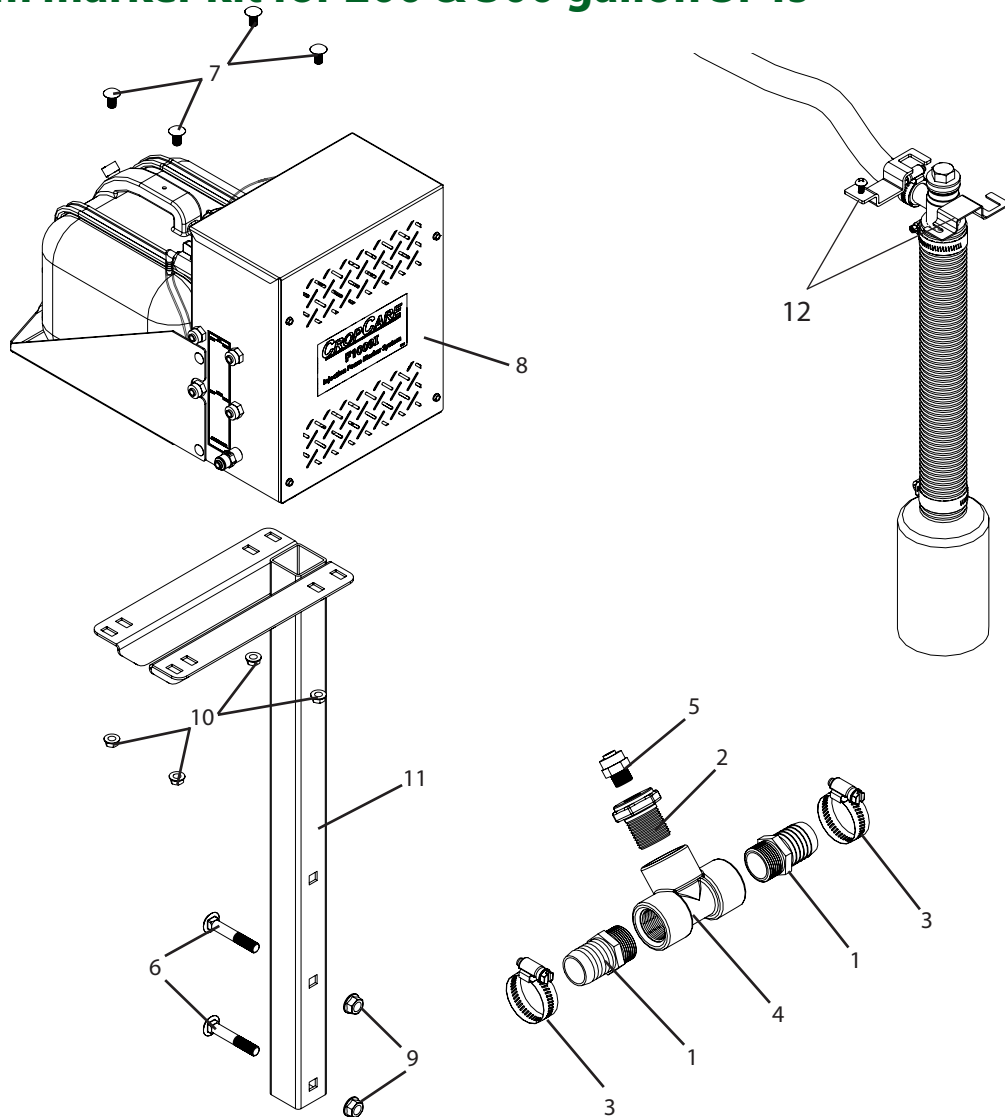


## A243 Breakdown

### Injection foam marker kit for 200 & 300 gallon 3PTs



Ref#	Qty.	Part Number	Description
1	2	3A34100	Fitting, Hose 3/4" MPT x 1" HB
2	1	3RB3414	Bushing, Reducer 3/4" MPT x 1/4" FPT Sch 40 poly
3	2	6812052	Hose Clamp, 1/2" - 1-1/4" SS
4	1	8TT34	Tee, Poly 3/4" FPT Sch 80
5	1	A4MC4	Adapter, TrueSeal 1/4" MPT x 1/4" Tube
6	2	CB12*3G5	Bolt, Carriage 1/2-13 x 3" Gr 5
7	4	CB38*34G5	Bolt, Carriage 3/8-16 x 3/4" Gr 5
8	1	F1000I *	Foam Marker, Injection System 2.5 Gallon Capacity
9	2	FN12	Nut, Flange 1/2-13
10	4	FN38	Nut, Flange 3/8-16
11	1	FOAMBKTP	Foamer mounting bracket, 3PT200 & 300
12	2	AA111SQ114 **	Clamp, Square Assembly Boom 1-1/4" Tube

\* Component parts breakdowns are available for these parts.

\*\* Required for HX30A & HX40A