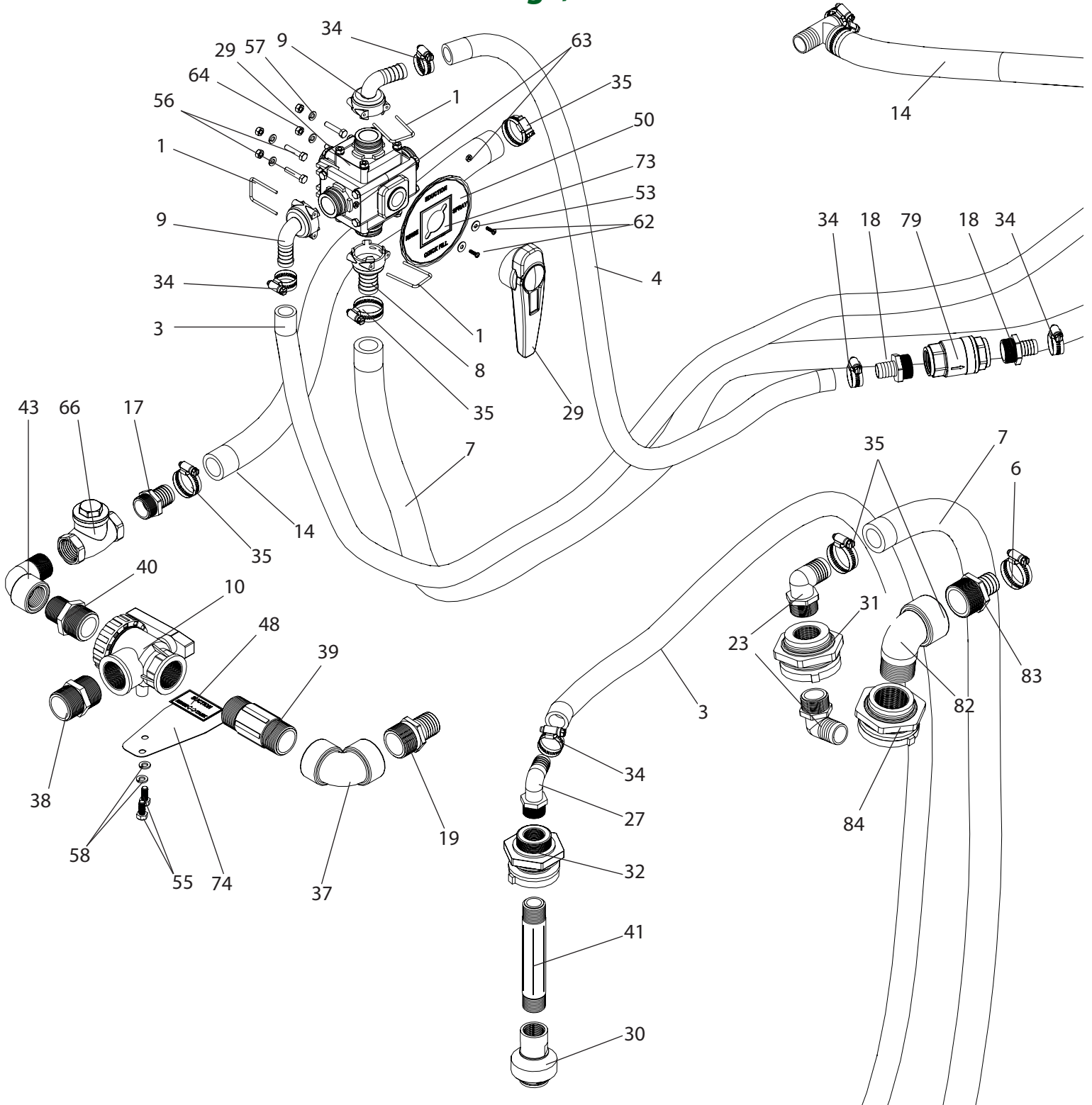


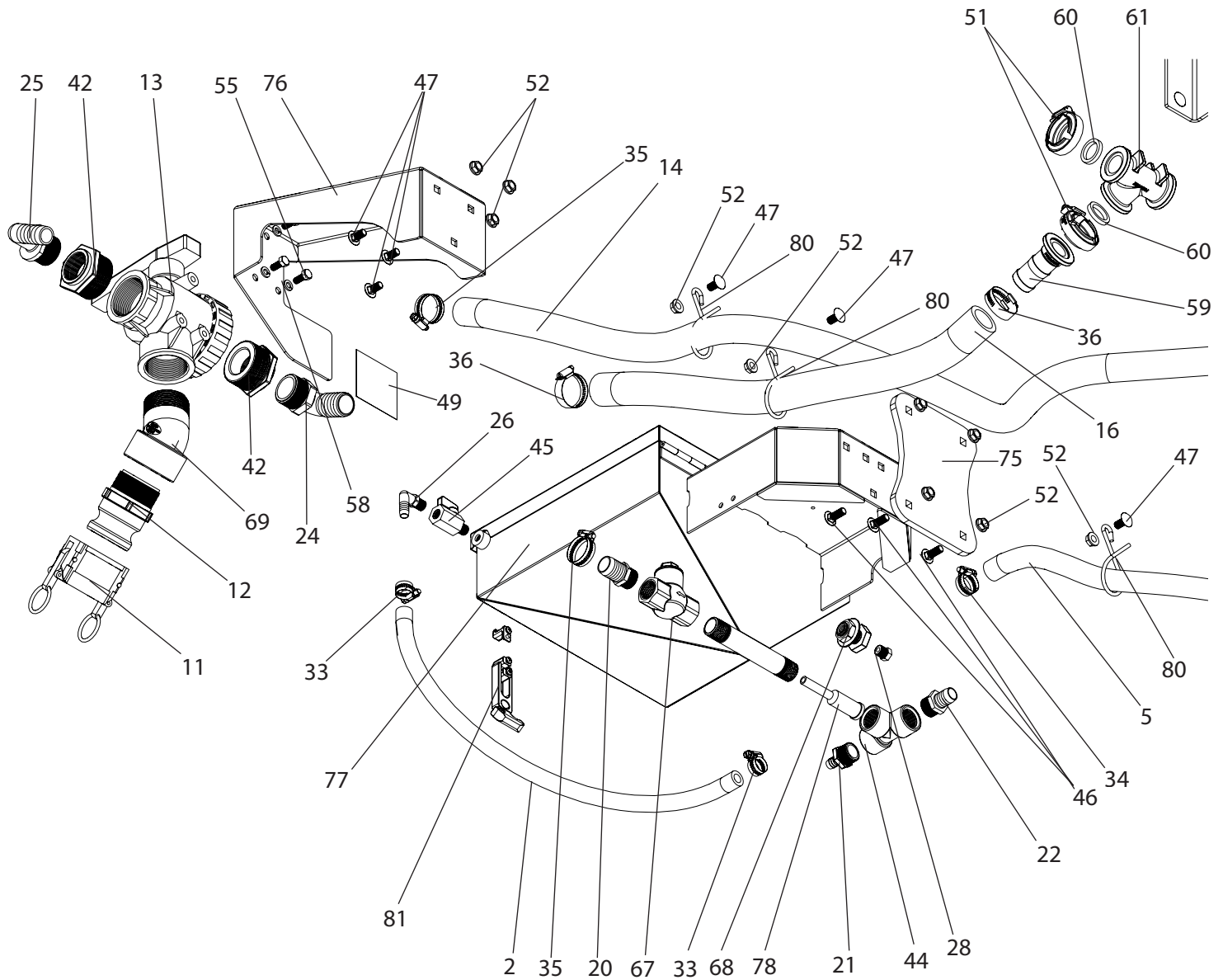
A250 Breakdown

Low Pressure Convenience Package, small trailer



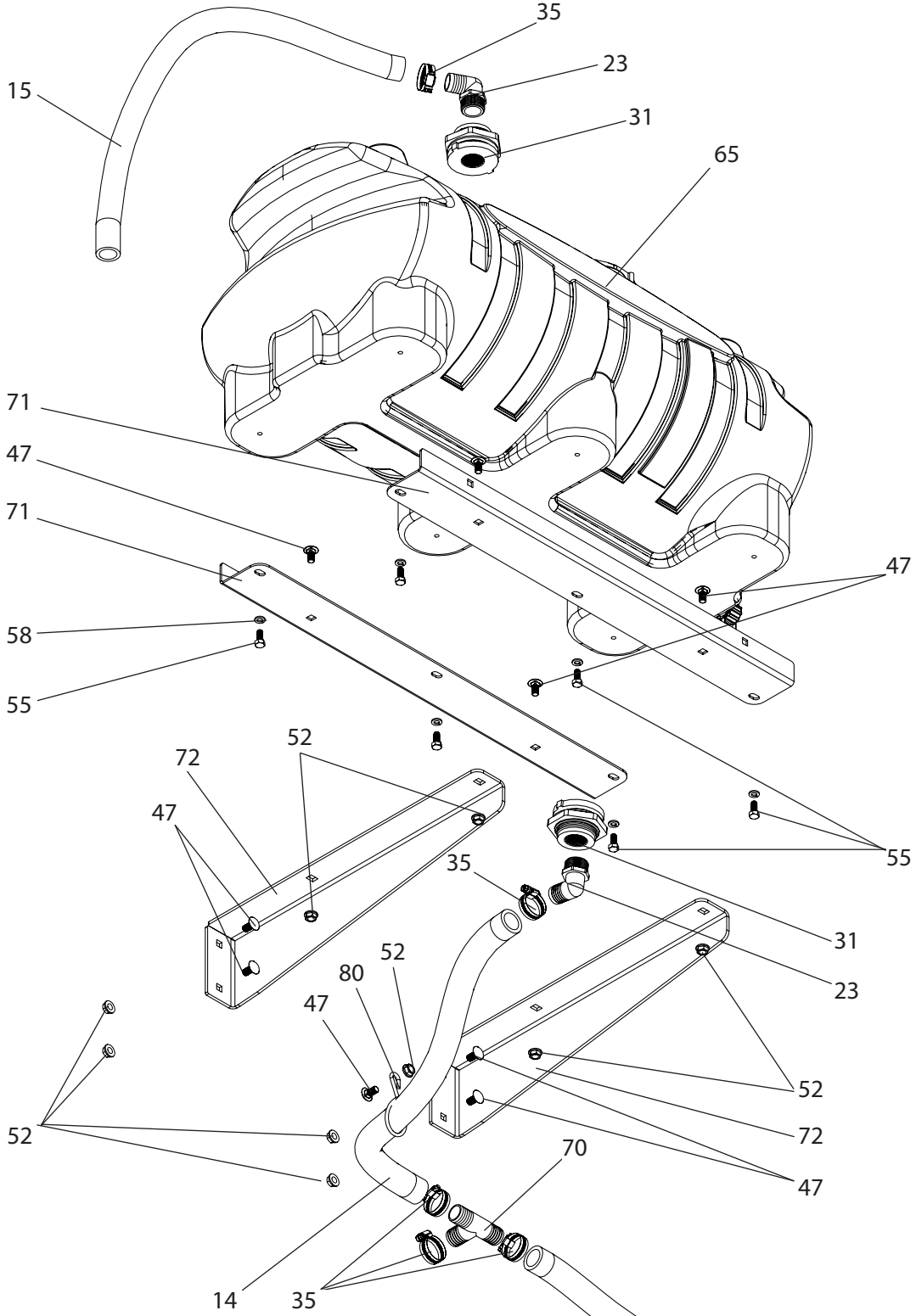
A250 Breakdown

Low Pressure Convenience Package, small trailer



A250 Breakdown

Low Pressure Convenience Package, small trailer



A250 Breakdown

Low Pressure Convenience Package, small trailer

Ref#	Qty.	Part Number	Description
1	3	010004	Connector, T4 Fork
2	2.5	1008	Hose, EPDM Rubber 1/2" 300 PSI
3	17	1012	Hose, EPDM Rubber 3/4" 300 PSI
4	5	1012	Hose, EPDM Rubber 3/4" 300 PSI
5	1.5	1012	Hose, EPDM Rubber 3/4" 300 PSI
6	10	1016	Hose, EPDM Rubber 1" 300 PSI
7	15	1016	Hose, EPDM Rubber 1" 300 PSI
8	1	1090425	Fitting, T4 Female QC x 1" HB
9	2	1190420	Elbow, T4 Female QC x 3/4" 90° HB
10	1	125SUBV3	Valve, Ball 3-Way Union 1-1/4" FPT
11	1	200DCS	Dust Cap, 2" Male Coupler
12	1	200F	Coupler, 2" Male w/2" MPT
13	1	200SUBV3	Valve, Ball 3-Way Union 2" FPT
14	10	3110	Hose, Suction EPDM Blend 1" 80 PSI
15	3	3110	Hose, Suction EPDM Blend 1" 80 PSI
16	3	3111	Hose, Suction EPDM Blend 1-1/4" 70 PSI
17	1	3A100	Adapter, Hose 1" MPT x 1" HB
18	2	3A10034	Fitting, Hose 1" MPT x 3/4" HB
19	1	3A114	Fitting, Hose 1-1/4" MPT x 1-1/4" HB
20	1	3A34100	Fitting, Hose 3/4" MPT x 1" HB
21	1	3A3412	Fitting, Hose 3/4" MPT x 1/2" HB
22	1	3A3434	Fitting, Hose 3/4" MPT x 3/4" HB
23	3	3EL100	Adapter, Hose Ell 1" MPT x 1" HB
24	1	3EL114	Elbow, Hose 90° 1-1/4" MPT x 1-1/4" Barb
25	1	3EL114100	Adapter, Hose 90° 1-1/4" MPT x 1" HB
26	1	3EL1412	Elbow, Hose 90° 1/4" MPT x 1/2" HB
27	1	3EL3434	Adapter, Hose 90° 3/4" MPT x 3/4" HB
28	1	3F14	Plug, 1/4" MPT Poly
29	1	453053544	Valve, 5-Way T4 x 3/4" FP 230 PSI
30	1	55270-3/4-18-POM	Nozzle, Tank Rinse 3/4" FPT Black
31	3	60427	Fitting, Bulkhead 1" FPT Dbl Tap (Requires 2-1/4" Hole)
32	1	62798	Fitting, Tank 3/4" FPT Dbl Tap (Requires 1-5/8" Hole)
33	2	6806052	Hose Clamp, 1/2" - 19/32" SS
34	6	6812052	Hose Clamp, 11/16" - 1-1/4" SS
35	12	6816052	Hose Clamp, 13/16" - 1-1/2" SS
36	2	6820052	Hose Clamp, 13/16" - 1-3/4" SS
37	1	8LL114	Elbow, Pipe 90° 1-1/4" FPT Sch 80 Poly
38	1	8M114	Nipple, 1-1/4" MPT x Close Sch 80 Poly
39	1	8M114*4	Nipple, 1-1/4" MPT x 4" Sch 80 Poly
40	1	8M1141	Nipple, Reducer 1-1/4" MPT x 1" MPT Sch 80 Poly
41	1	8M34*6	Nipple, 3/4" MPT x 6" Sch 80 Poly
42	2	8RB200114	Bushing, Reducer 2" MPT x 1-1/4" FPT Sch 80 Poly
43	1	8SE100	Elbow, Street 90° 1" NPT Sch 80 Poly
44	1	8TT34	Tee, Poly 3/4" FPT Sch 80

A250 Breakdown

Low Pressure Convenience Package, small trailer

Ref#	Qty.	Part Number	Description
45	1	90FMB14	Valve, Ball 1/4" FPT x 1/4" MPT 300 PSI
46	4	CB38*1G5	Bolt, Carriage 3/8-16 x 1" Gr 5
47	15	CB38*34G5	Bolt, Carriage 3/8-16 x 3/4" Gr 5
48	1	DE102	Decal, Suction Valve Trailer
49	1	DE106	Decal, Quick Fill Valve
50	1	DE121	Decal, Valve 5 Way T4
51	2	FC100	Clamp, Flange 1" Std SS
52	19	FN38	Nut, Flange 3/8-16
53	2	FW10	Washer, Flat #10
55	11	H5C516*34	Bolt, Hex 5/16-18 x 3/4" Gr 5
56	4	H6*20M	Bolt, Hex Metric 6mm x 20mm 1.0 Pitch
57	4	LW14	Washer, Lock 1/4"
58	11	LW516	Washer, Lock 5/16"
59	1	M100125BRB	Fitting, Flange 1-1/4" HB x 1" Flange
60	2	M100G	Gasket, Manifold EDPM 1"
61	1	M100TEE	Tee, Flange 1" Tee
62	2	MR632*12	Screw, Machine 6-32 x 1/2"
63	2	NC632	Nut, Hex #6-32
64	4	NC6M	Nut, Hex 6mm x 1.0 Pitch
65	1	SB25YP-DR	Tank, 25 Gal Yellow Poly w/Lid Lanyard Outlet Cap Gasket and Tether
66	1	SCV1S	Valve, Check Swing 1" FPT 200 PSI SS
67	1	SCV34S	Valve, Swing Check 3/4" FPT 200 PSI SS
68	1	SKU28315	Fitting, Bulkhead Brass 1/4" NPT Female to Male
69	1	SL200-45	Elbow, Street 45° 2" Poly
70	1	T100	Tee, 1" HB Nylon
71	2	T231	ATV Tank Mount
72	2	T479	Rinse Tank Bracket
73	1	T489	Mount plate for 5-way valve decal, low pressure
74	1	T493	Suction Valve, Decal Plate
75	1	T494	Eduction Mount, TR400
76	1	T495	Quick fill valve mount
77	1	T852	Chemical eduction tank, 1 1/4" MPT, stainless
78	1	T894	Eduction Jet, 9/32" Orifice
79	1	T873	Valve, Check 1" FPT SS/Viton 10 PSI
80	4	T880	Clip, Single Wire Hose 1-7/8" ID x 3/8" Bolt Hole
81	1	WJ215	Latch, Rubber Draw w/Screws
82	1	8SE114	Elbow, Street 90° 1-1/4" NPT Sch 80 Poly
83	1	3A114100	Adapter, Hose 1-1/4" MPT x 1" Barb
84	1	60403	Fitting, Bulkhead 1-1/4" FPT Dbl Tap (Requires 2-1/4" Hole)