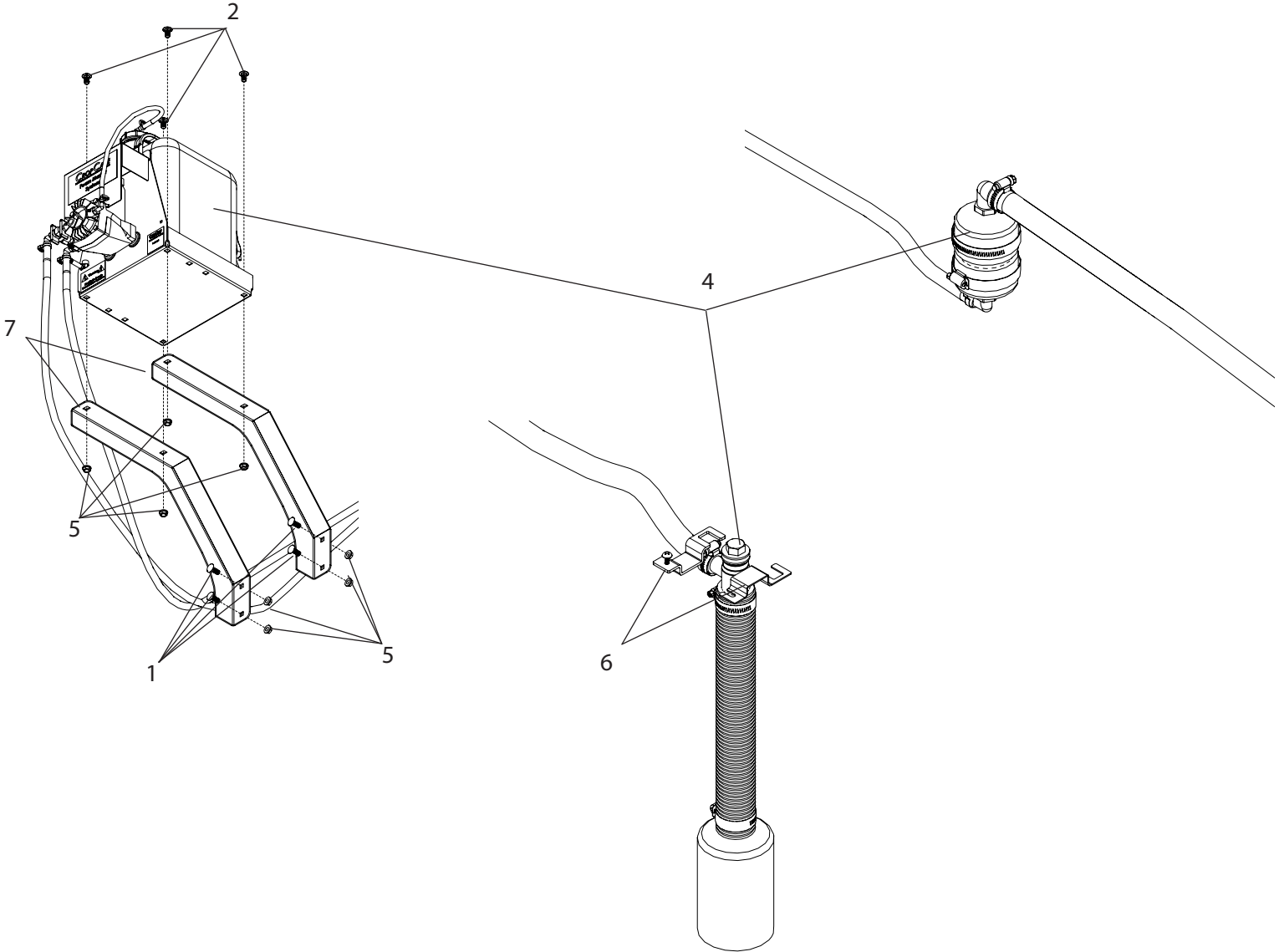


## A256 Breakdown

### 5 Gallon Foam Marker System for Small Trailers



Ref#	Qty.	Part Number	Description
1	4	CB38*1G5	Bolt, Carriage 3/8-16 x 1" Gr 5
2	4	CB38*34G5	Bolt, Carriage 3/8-16 x 3/4" Gr 5
3	15ft	DC784	Loom, Flex-Gard 3/8"
4	1	F1500A	Foam Marker System 5 gal. CropCare
5	8	FN38	Nut, Flange 3/8-16
6	2	QJ111SQ114 *	Clamp, Nozzle Body 1-1/4" Sq Tube Steel
	2	AA11134 **	Clamp, Round 3/4" Pipe
7	2	T478	Foam Injector/Marker bracket

\* Required for HX30A & HX40A

\*\* Required for MX30A