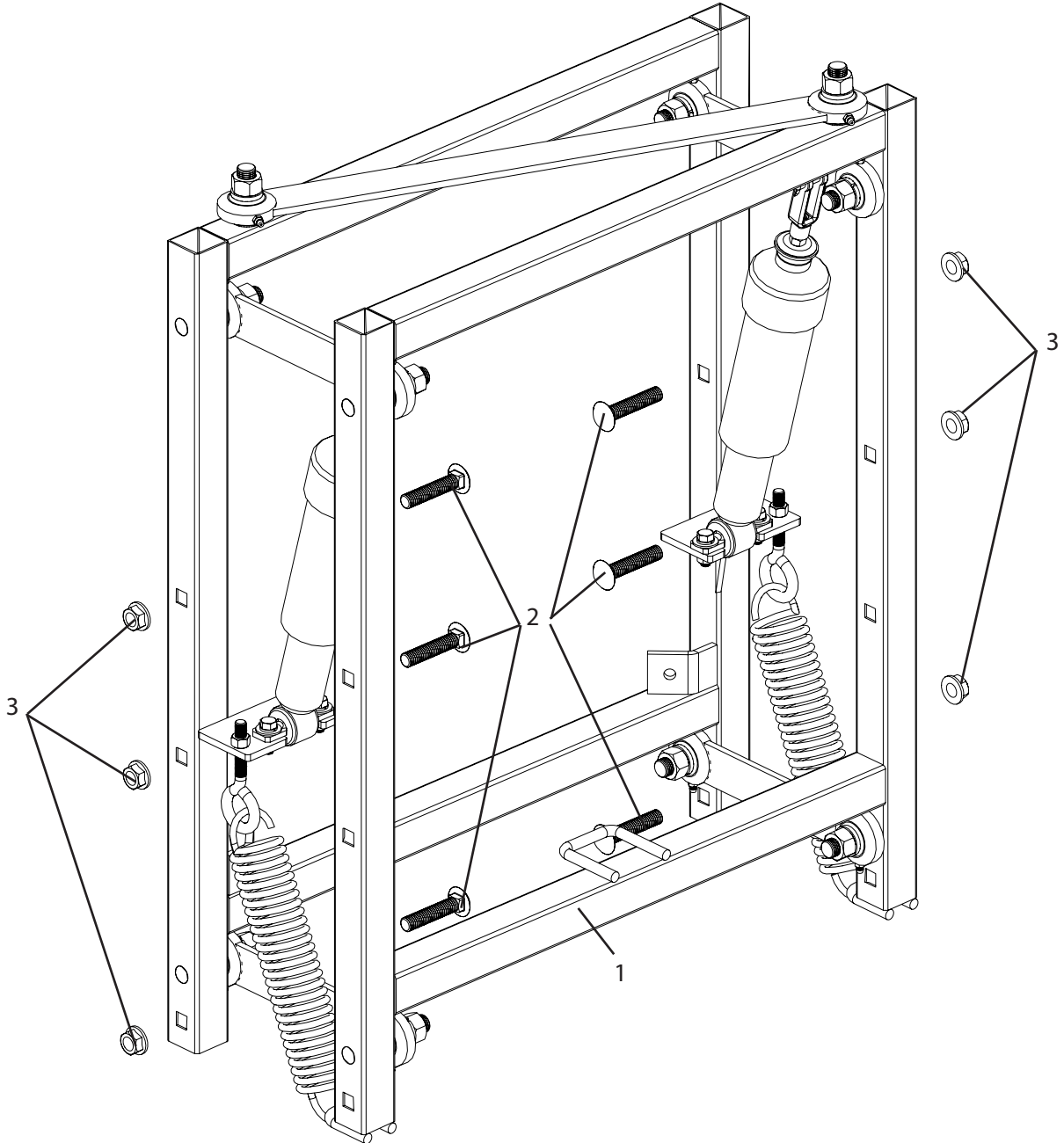


## A258 Breakdown

### Boom suspension system, 30ft manual fold booms



Ref#	Qty.	Part Number	Description
1	1	BS835	Suspension System, 30' & 35' Manual Fold Booms
2	6	CB12*212G5	Bolt, Carriage 1/2-13 x 2-1/2" Gr 5
3	6	FN12	Nut, Flange 1/2-13

\*Component parts breakdowns are available for these parts.