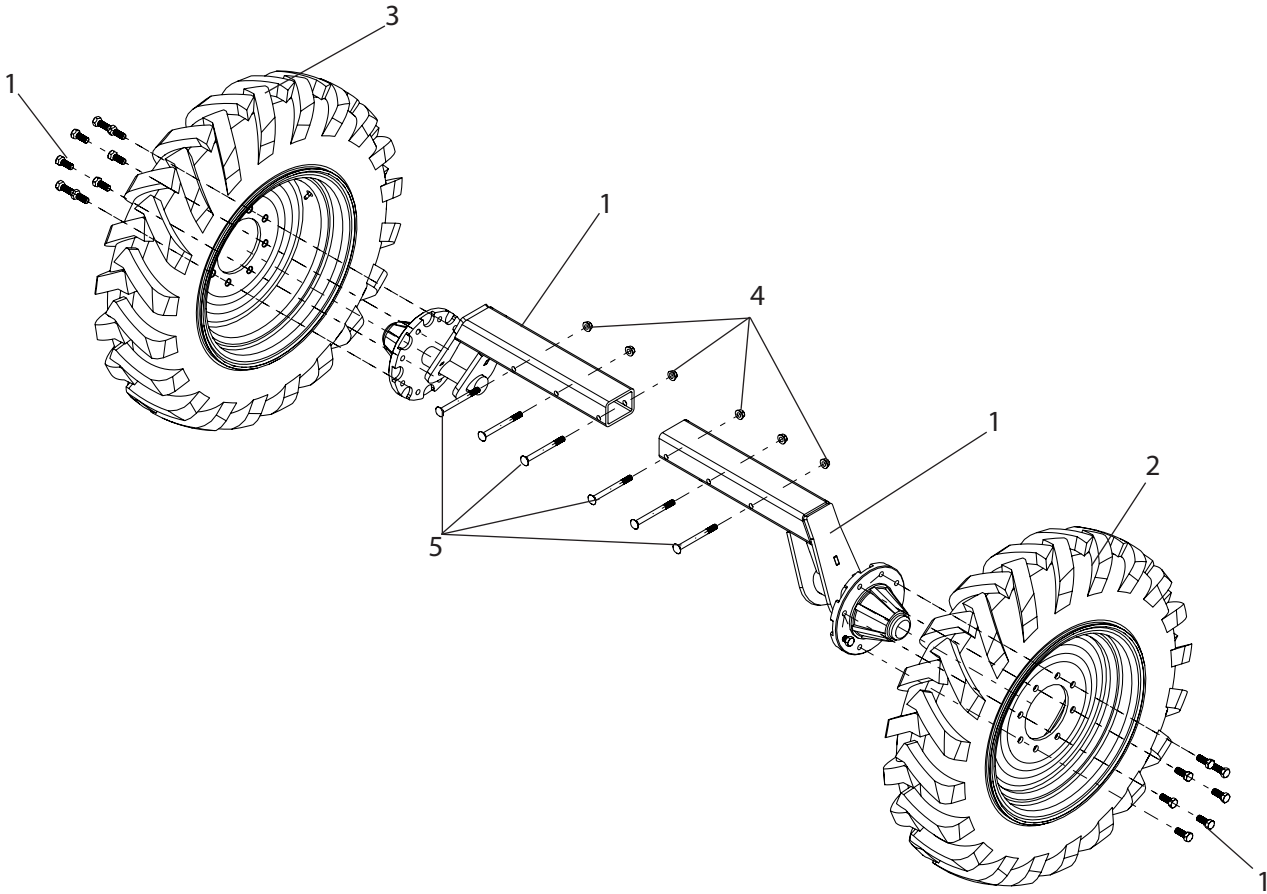


AXS-95X20 Breakdown

Axle, with 9.5-20 Tires



Ref#	Qty.	Part Number	Description
1	2	T474 *	Axle Weldment, 20" Wheel
2	1	T498L *	Wheel & tire assembly, left, 9.5" x 20"
3	1	T498R *	Wheel & tire assembly, right, 9.5" x 20"
4	6	FN12	Nut, Flange 1/2-13
5	6	CB12*512G5	Bolt, Carriage 1/2-13 x 5 1/2" Gr 5

*Component parts breakdowns are available for the indicated parts.