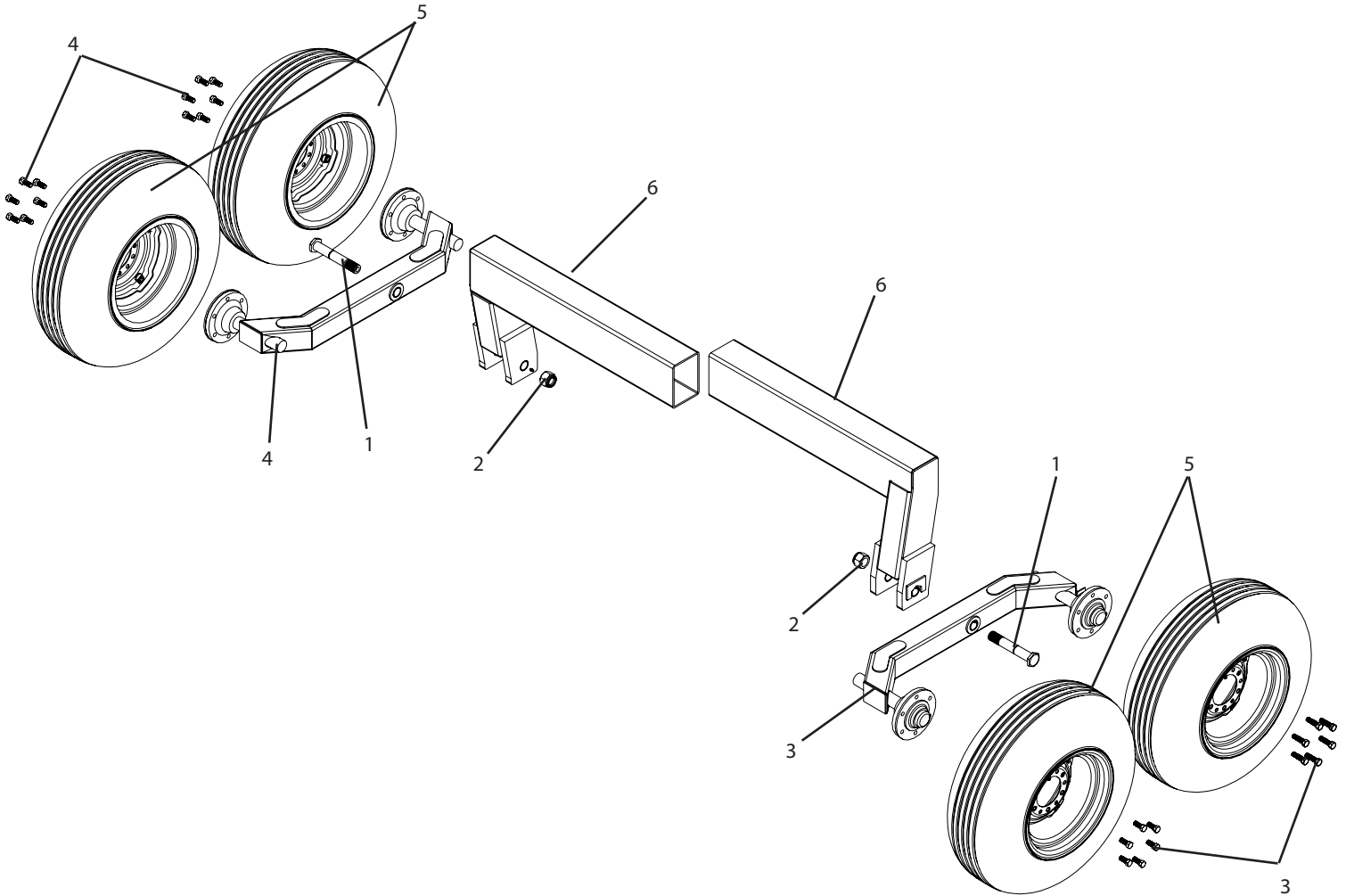


## AXT520 Breakdown

Tandem axle, 11L tires, 65" - 95" tire centers



Ref#	Qty.	Part Number	Description
1	2	F347	Tandem axle bolt, 1 1/4" x 7 13/16"
2	2	NNC114	Nut, Lock Nylon 1-1/4-7
3	1	T202L*	Tandem beam, left, w/ sensor mount
4	1	T202R*	Tandem beam, right
5	4	T220*	Wheel & tire assembly, 11L-15" x 10"
6	2	T824	Axle weldment for tandem beam

\*Additional breakdowns available.