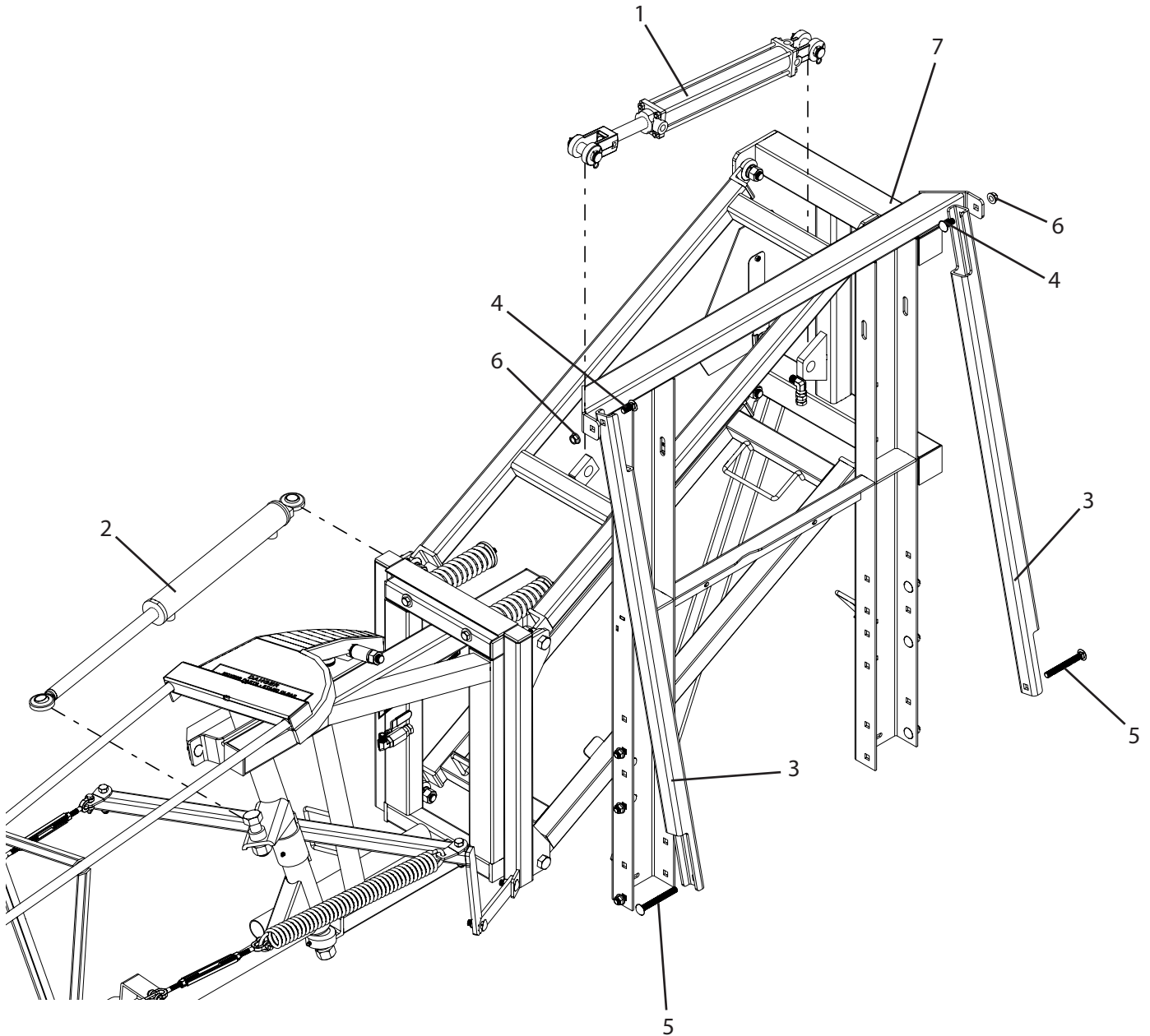


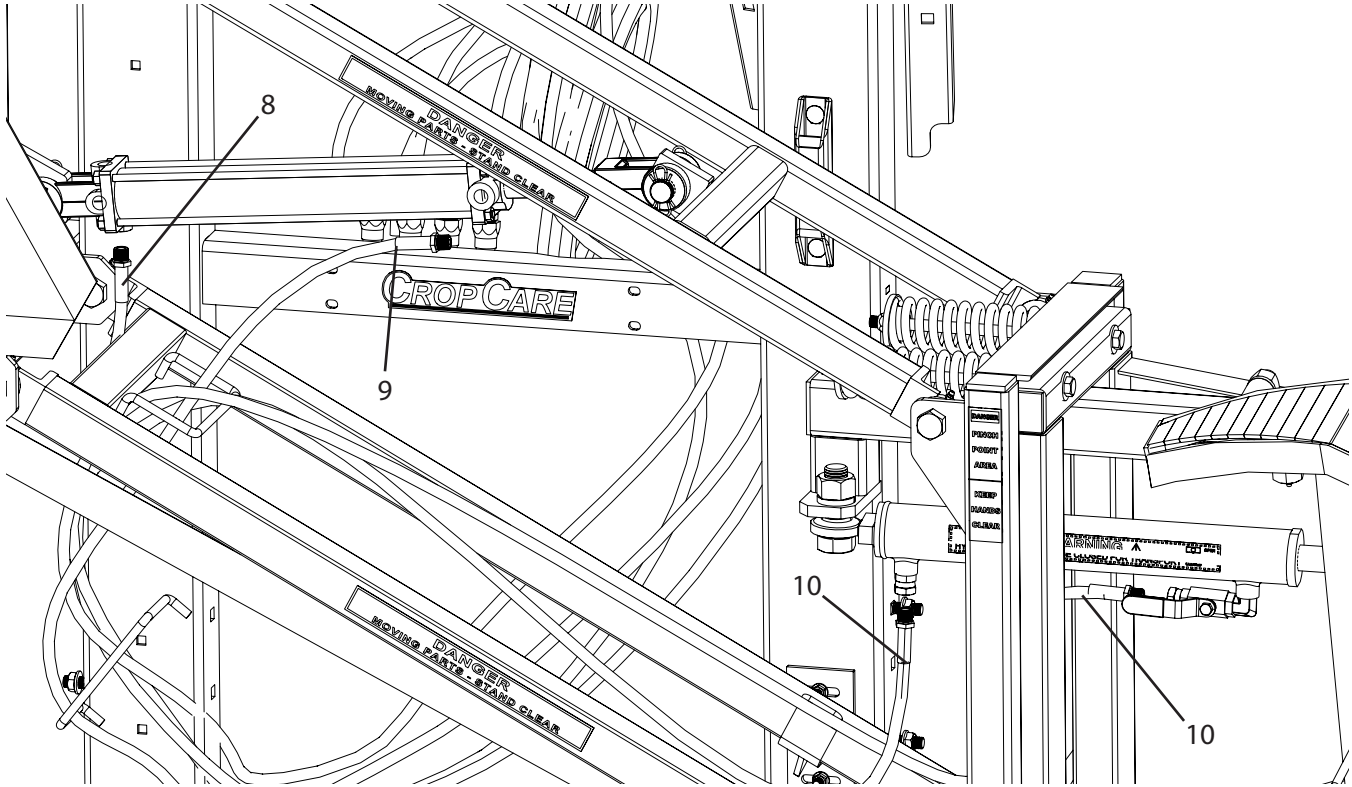
BF25SH-TR510 Breakdown

25ft single side boom, large trailer mounting



BF25SH-TR510 Breakdown

25ft single side boom, large trailer mounting



Ref#	Qty.	Part Number	Description
1	1	20TX18	Cylinder, Hyd Black 2" Bore x 18" Stroke
2	1	20WC14-112	Cylinder, Hyd Welded 2" Bore x 14" Stroke 1" Ball Joint Ends
3	2	BF25SH17	Boom brace, BF25SH to T800 trailer frame
4	2	CB12*114G5	Bolt, Carriage 1/2-13 x 1 1/4" Gr 5
5	2	CB12*412G5	Bolt, Carriage 1/2-13 x 4-1/2" Gr 5
6	2	FN12	Nut, Flange 1/2-13
7	1	BF25SH *	25' single side hydraulic fold boom
8	1	HH1423-2	23' Hose OAL, 1/4" W/HY04-08MP & HY04-06MP Ends
9	1	HH1424-2	24' Hose OAL, 1/4" with HY04-08MP & HY04-06MP ends
10	2	HH1427-2	27' Hose OAL, 1/4" W/HY04-08MP & HY04-06MP Ends

*Component parts breakdowns are available for the indicated components.