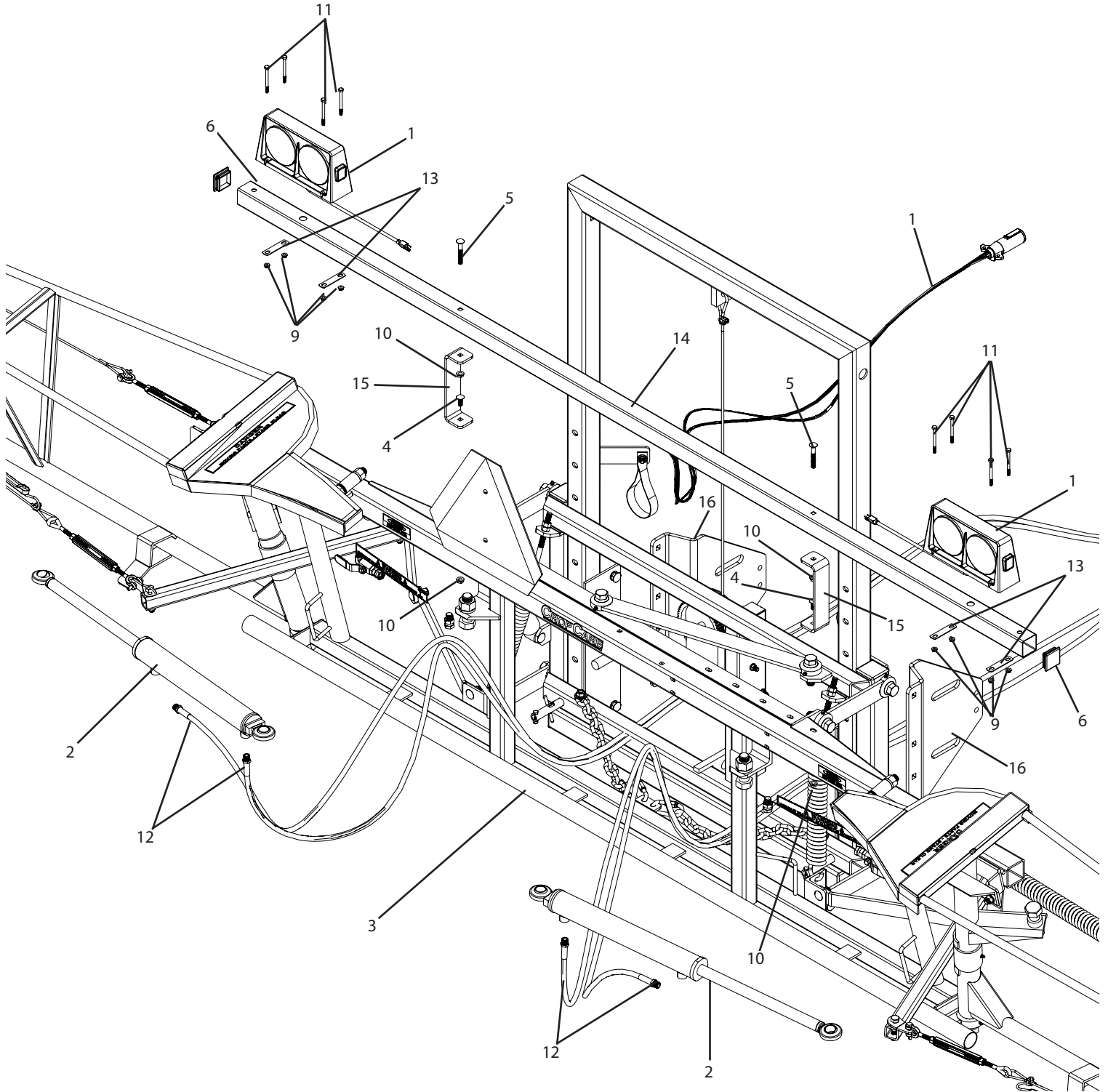


## BF45H-W Breakdown

### 45ft Hydraulic Front Fold Boom, Spring Ride



## BF45H-W Breakdown

Ref#	Qty.	Part Number	Description
1	1	002770	Kit, Light LED Safety Wesbar
2	2	20WC14-112	Cylinder, Hyd Welded 2" Bore x14" Stroke 1" Ball Joint Ends
3	1	BF45H *	Boom, 45' Hydraulic Fold
4	2	CB38*1G5	Bolt, Carriage 3/8-16 x 1" Gr 5
5	2	CB38*234G5	Bolt, Carriage 3/8-16 x 2-3/4" Gr 5
6	2	CC5515	Plug, Poly Square 2" x 10-14 Ga Black
7	4	DC75036	Terminal, Female 16-14 Ga Weather-Pack
8	26 FT	DC784	Loom, Flex-Gard 3/8"
9	8	FN14	Nut, Flange 1/4-20
10	4	FN38	Nut, Flange 3/8-16
11	8	H5C14*3	Bolt, Hex 1/4-20 x 3" Gr 5
12	4	HH1424-2	24' Hose OAL, 1/4" with HY04-08MP & HY04-06MP ends
13	4	N222323	Plate, U-Bolt 5/16" x 2"
14	1	T509	Safety lights mounting tube, BF45H & BF60H
15	2	T509A	Leg, for light bar
16	2	T1222	500 Gallon Trailer, Boom Mount

\* Component parts breakdowns are available for the indicated components.