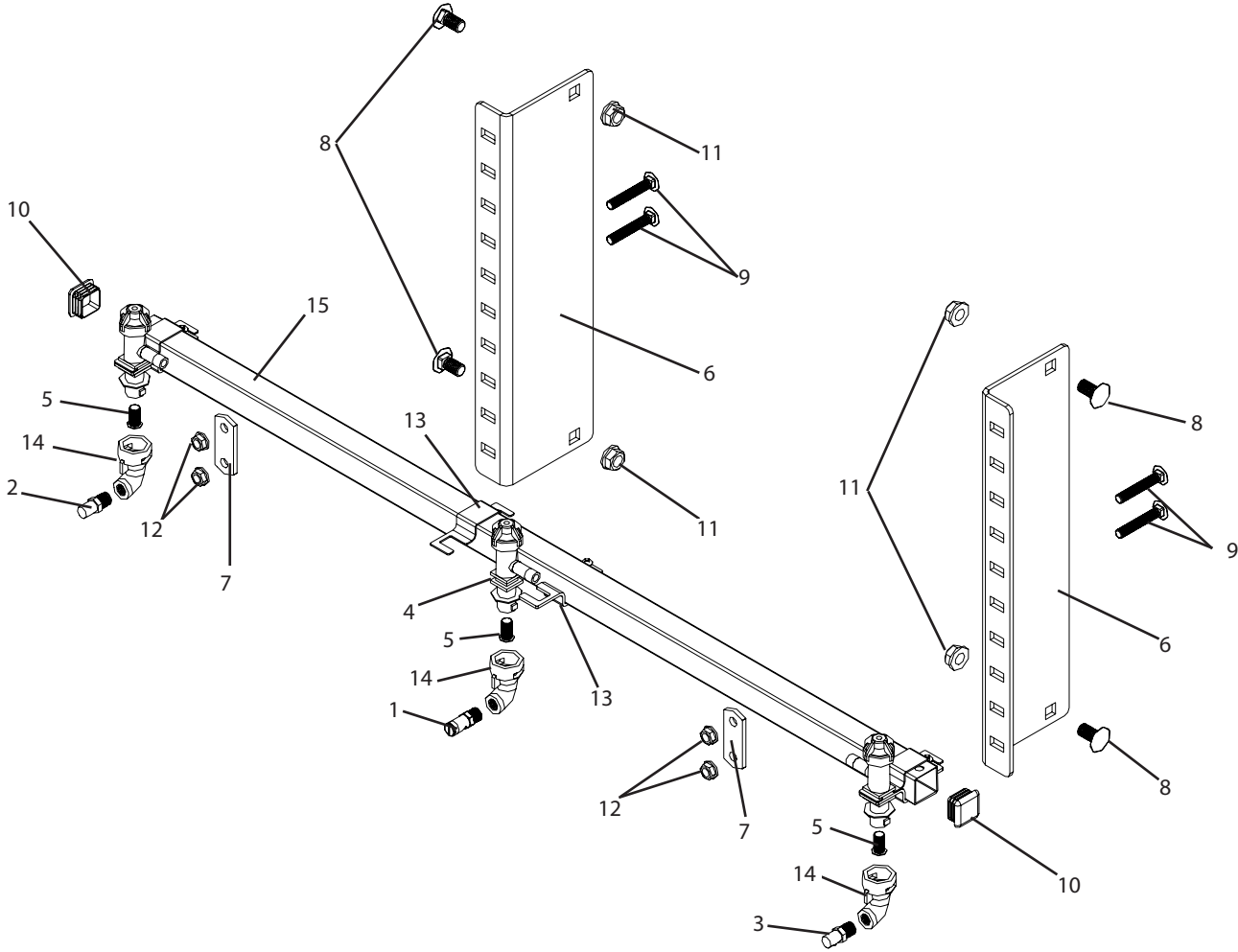


## BLK30 Breakdown

### 30' Boomless kit



Ref#	Qty.	Part Number	Description
1	1	1/4TTJ08-VS	Nozzle, TurfJet SS White 1/4" MPT
2	1	1/4XP20L-VP	Nozzle, XP BoomJet Left Polymer Yellow
3	1	1/4XP20R-VP	Nozzle, XP BoomJet Right Polymer Yellow
4	3	22251311500NYB	Body, Nozzle Elbow 1/2" QJ300
5	3	8079PP50	Strainer, Tip 50 Mesh Red Poly Body SS Screen
6	2	T540	Boom mounting plate
7	2	BF1210	Boom mounting clip, 12' boom, black
8	4	CB12*1G5	Bolt, Carriage 1/2-13 x 1" Gr 5
9	4	CB38*214G5	Bolt, Carriage 3/8-16 x 2-1/4" Gr 5
10	2	CC5520	Plug, Poly Square 1-1/4" x 14-20 Ga Blk
11	4	FN12	Nut, Flange 1/2-13
12	4	FN38	Nut, Flange 3/8-16
13	3	QJ1115SQ114	Clamp, Nozzle Body 1-1/4" Sq Tube Steel
14	3	QJ4676-90-1/4-NYR	Adapter, Cap QJ 90° To 1/4" FPT w/Gasket
15	1	T545	Boomless boom, 1 1/4" sq x 42"