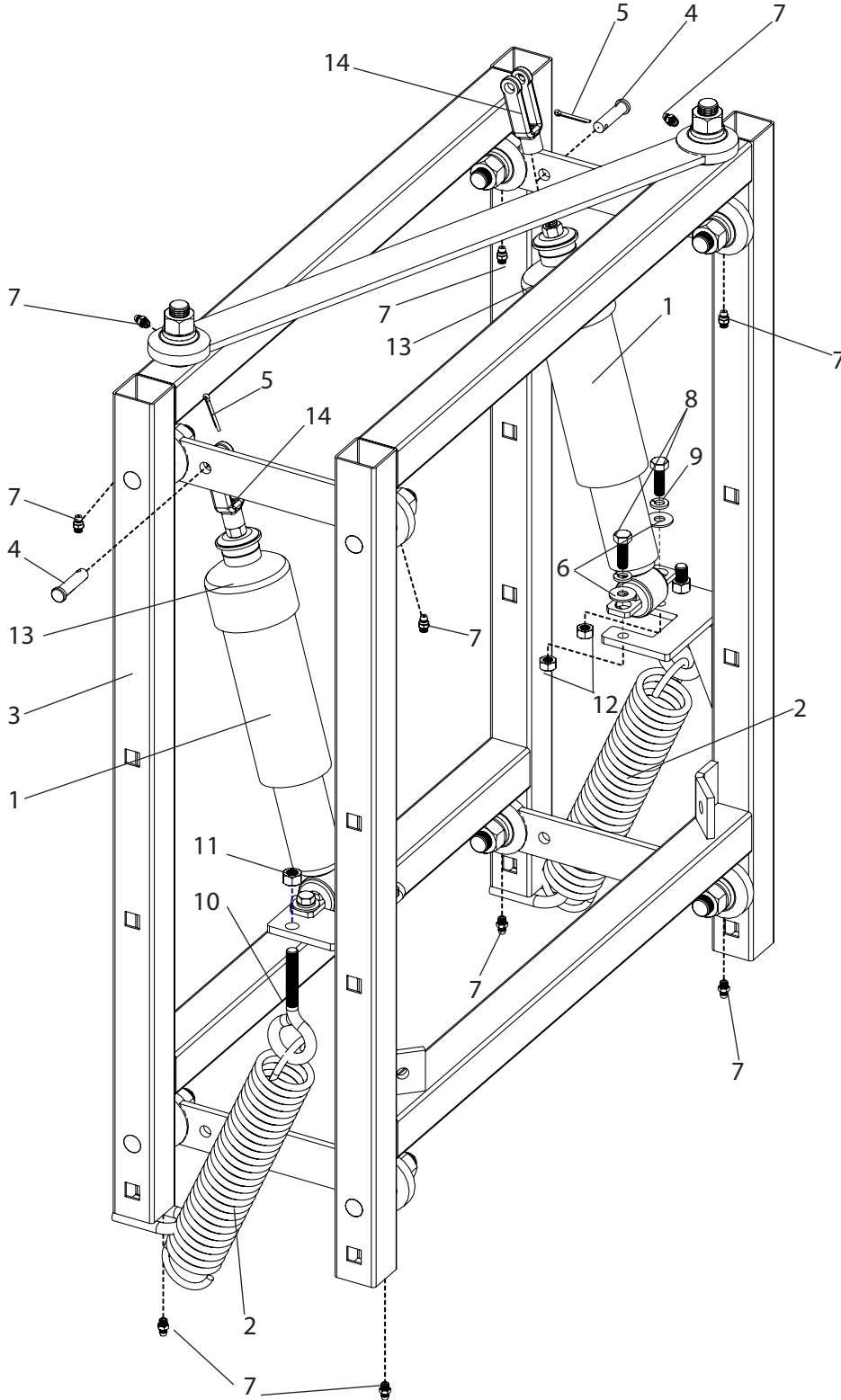


BS835 Breakdown

Boom suspension system, 30' & 35' manual fold booms



BS835 Breakdown

Boom suspension system, 30' & 35' manual fold booms

Ref#	Qty.	Part Number	Description
1	2	48569	Shock Absorber
2	2	B113	Spring, Extension Blk 1.725" x 8" x .225"
3	1	BS800S	Shock absorber frame, no hardware
4	2	CP38*114	Pin, Clevis 3/8" x 1-1/4" Lg
5	2	CT18*1	Cotter Pin, 1/8" x 1" Zinc
6	4	FW516	Washer, Flat 5/16"
7	10	GF101	Fitting, Grease 1/4-28 Straight
8	4	H5C516*1	Bolt, Hex 5/16-18 x 1" Gr 5
9	4	LW516	Washer, Lock 5/16"
10	2	N221267	Bolt, Eye Closed 3/8-16 x 4" Zinc
11	2	NC38	Nut, Hex 3/8-16
12	4	NC516	Nut, Hex 5/16-18
13	2	SC200	Shock cover, PVC
14	2	YE3/8-16	Yoke, End Black Adjustable 3/8-16 Female