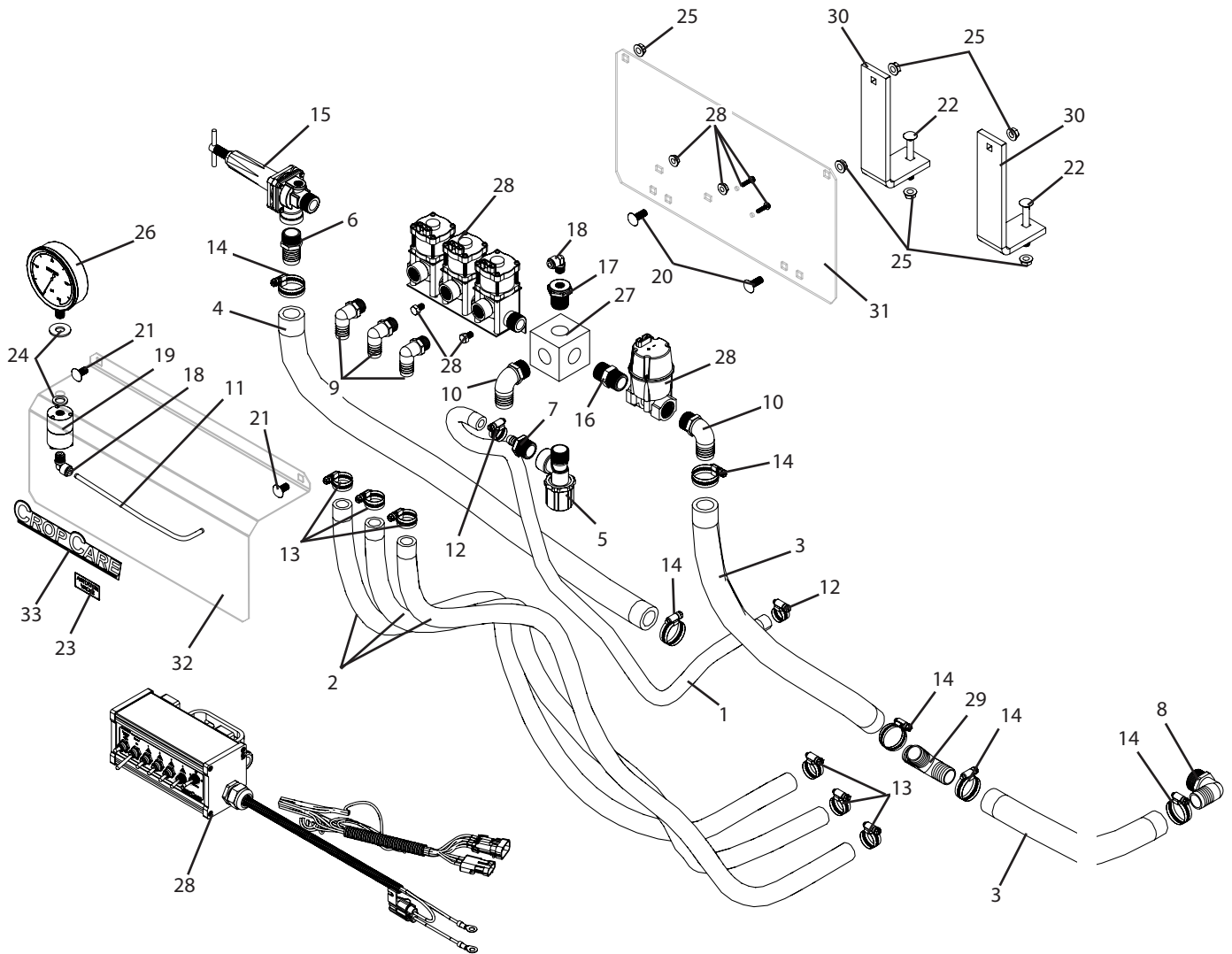


## C3PT-2500-SC400-PR Breakdown

SC400 electric control, 2500 boom w / safety relief valve



## C3PT-2500-SC400-PR Breakdown

### SC400 electric control, 2500 boom w / safety relief valve

Ref#	Qty.	Part Number	Description
1	5 FT	1008	Hose, EPDM Rubber 1/2" 300 PSI
2	45 FT	1012 **	Hose, EPDM Rubber 3/4" 300 PSI
3	4 FT	1016	Hose, EPDM Rubber 1" 300 PSI
4	4 FT	1016	Hose, EPDM Rubber 1" 300 PSI
5	1	2352034PP	Valve, Throttling 3/4" NPT Poly 150 PSI
6	1	3A34100	Fitting, Hose 3/4" MPT x 1" HB
7	1	3A3412	Fitting, Hose 3/4" MPT x 1/2" HB
8	1	3EL100	Adapter, Hose Ell 1" MPT x 1" HB
9	3	3EL1234	Adapter, Hose 90° 1/2" MPT x 3/4" HB
10	2	3EL34100	Adapter, Hose 90° 3/4" MPT x 1" HB
11	1 FT	5156N	Tubing, Nylon 1/4" OD Black
12	2	6806052	Hose Clamp, 1/2" - 29/32" SS
13	6	6812052 **	Hose Clamp, 1/2" - 1-1/4" SS
14	6	6816052	Hose Clamp, 11/16" - 1-1/2" SS
15	1	846034	Valve, Relief Diaphragm Type 300PSI 3/4" NPT Fittings
16	1	8M34	Nipple, 3/4" MPT x Close Sch 80 Poly
17	1	8RB3414	Bushing, Reducer 3/4" MPT x 1/4" FPT Sch 80 Poly
18	2	A4ME4	Adapter, TrueSeal Fitting 90° 1/4" Tube
19	1	BAAF	Isolator, Pressure Gauge 1/4" FPT
20	2	CB38*1G5	Bolt, Carriage 3/8-16 x 1" Gr 5
21	2	CB38*34G5	Bolt, Carriage 3/8-16 x 3/4" Gr 5
22	2	CB38*3G5	Bolt, Carriage 3/8-16 x 3" Gr 5
23	1	DE33	Decal, Agitator Valve
24	2	FW12S	Washer, Flat, 1/2" SS
25	6	FN38	Nut, Flange 3/8-16
26	1	GG1604	Gauge, 4" Liquid Filled 160 PSI
27	1	PMB5	Plastic manifold body, 3/4" FPT x 5
28	1	SC400-2500 *	Kit, CropCare Control Kit 4 Boom Switch
29	1	T100	Tee, 1" HB Nylon
30	2	T507	Mounting adapter, T550 valve plate to 3PTFRAME300
31	1	T550	Solenoid valve mounting plate
32	1	T550A	Solenoid valve cover
33	1	DE46	Decal, CropCare Logo 1.9" x 8.8"

\* Component parts breakdowns are available for these parts.

\*\* These components are replaced with 1008 and 6806052 when used with the 1/2" boom plumbing.