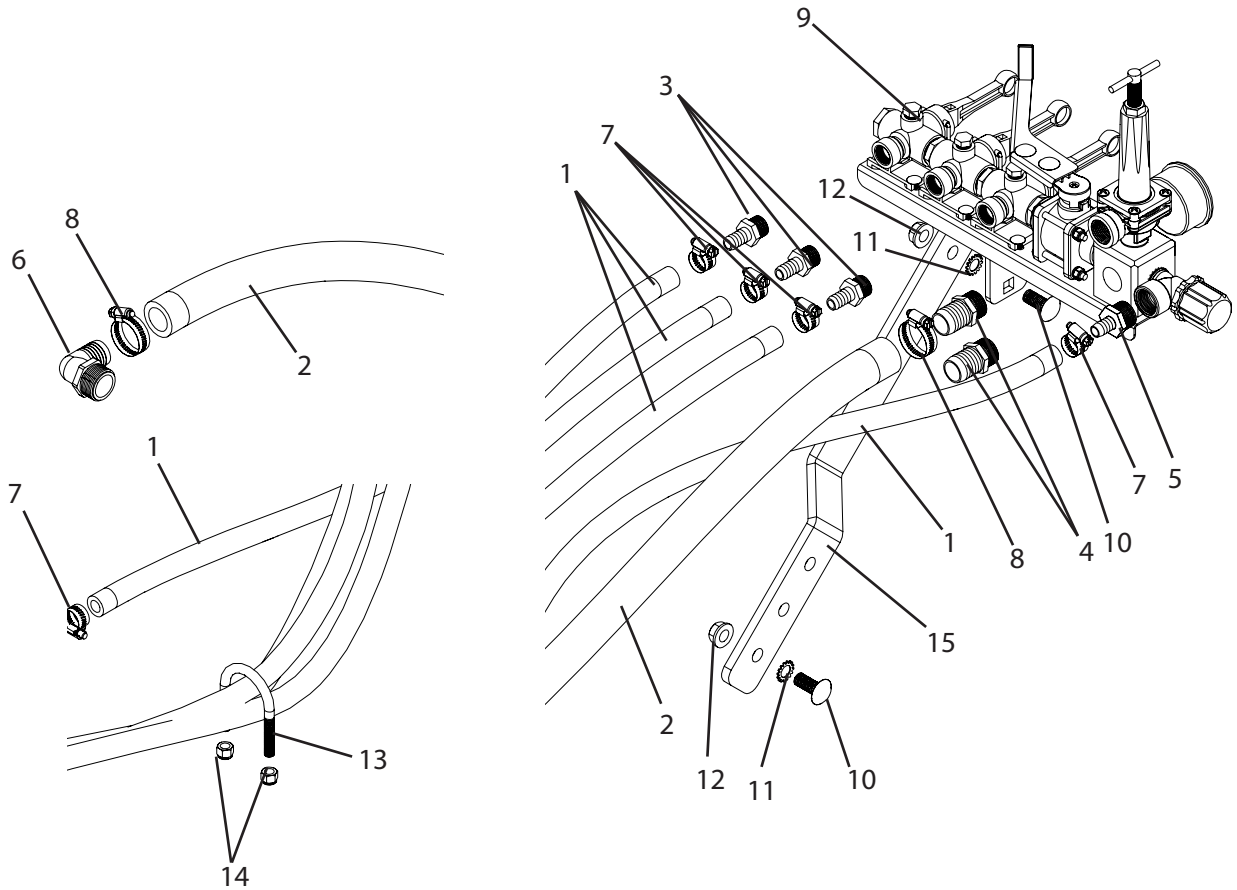


C3PT2-A6B-M Breakdown

6B manual control valves with master, 3 section, low pressure



Ref#	Qty.	Part Number	Description
1	42 FT	1008	Hose, EPDM Rubber 1/2" 300 PSI
2	7 FT	1016	Hose, EPDM Rubber 1" 300 PSI
3	3	3A1212	Adapter, Hose 1/2" MPT x 1/2" HB
4	2	3A34100	Fitting, Hose 3/4" MPT x 1" HB
5	1	3A3412	Fitting, Hose 3/4" MPT x 1/2" HB
6	1	3EL100	Adapter, Hose Ell 1" MPT x 1" HB
7	8	6806052	Hose Clamp, 1/2" - 29/32" SS
8	2	6816052	Hose Clamp, 13/16" - 1-1/2" SS
9	1	6B3MC1 *	Control, 6B Assy Triple Master Valve 100 PSI w/Gauge
10	2	CB12*114G5	Bolt, Carriage 1/2-13 x 1-1/4" Gr 5
11	2	EW58	Washer, Lock External-Tooth 5/8"
12	2	FN12	Nut, Flange 1/2-13
13	1	N222190	Bolt, U-Bolt Round 3/8-16 x 2" x 3-1/2" Zinc
14	2	NNC38	Nut, Lock Nylon 3/8-16
15	1	T480	Manual Control Arm Mount

*Part has component parts breakdown available.