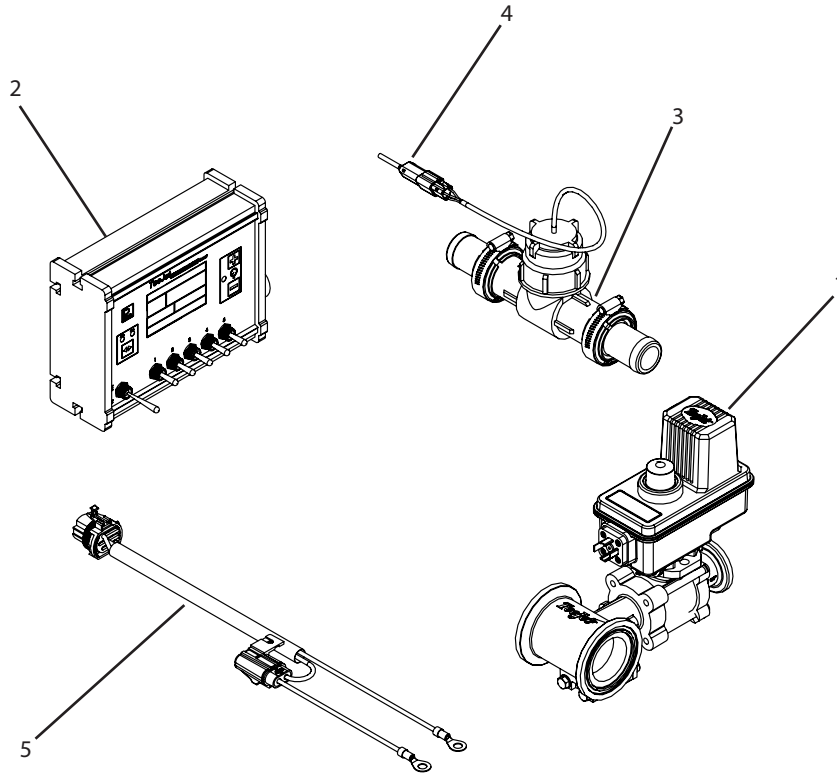


CTRL1-845 Breakdown

TeeJet 845 5 Switch Control Console Subassembly



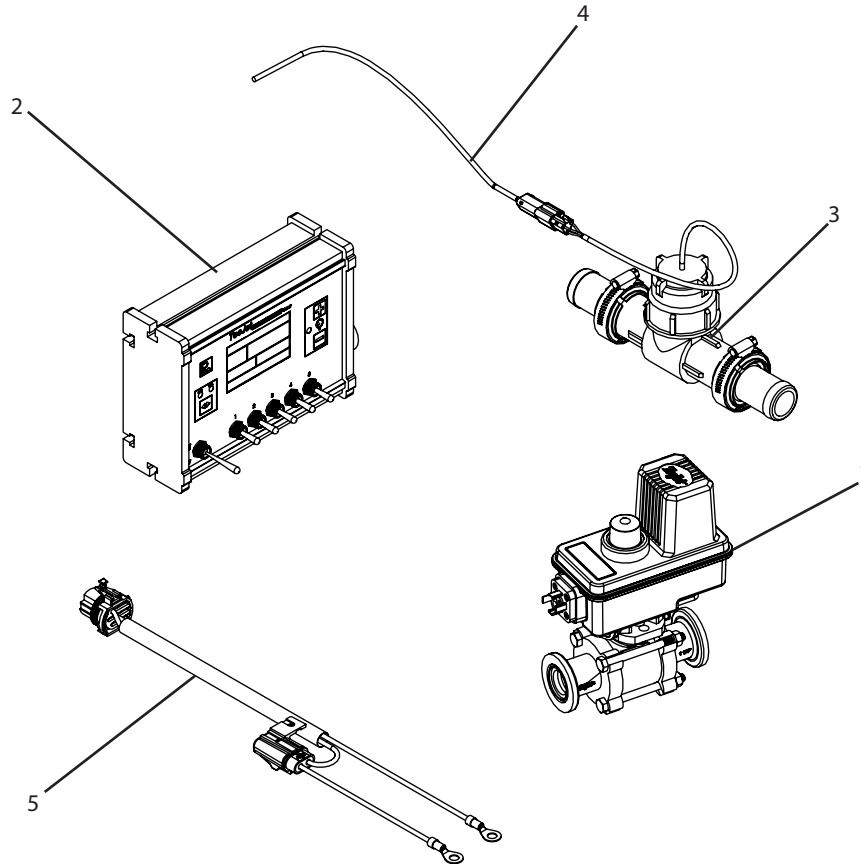
-For use with 450 series TeeJet section control valves.

| Ref# | Qty. | Part Number | Description |
|------|------|-------------|--|
| 1 | 1 | 35-02099-T* | Valve, Regulating Ball,6 Second with 450 manifold and flange |
| 2 | 1 | 90-50143 | Kit, 845-5 Console w/Mounting Bracket & Manual |
| 3 | 1 | 90-50232 | Kit, Flowmeter 801 w/1-1/4" Hose Barbs |
| 4 | 1 | T422 | CropCare flow meter sensor cable |
| 5 | 1 | T430 | CropCare power harness, 12', for T420 |

*Breakdown available

CTRL1-845 Breakdown

TeeJet 845 5 Switch Control Console Subassembly



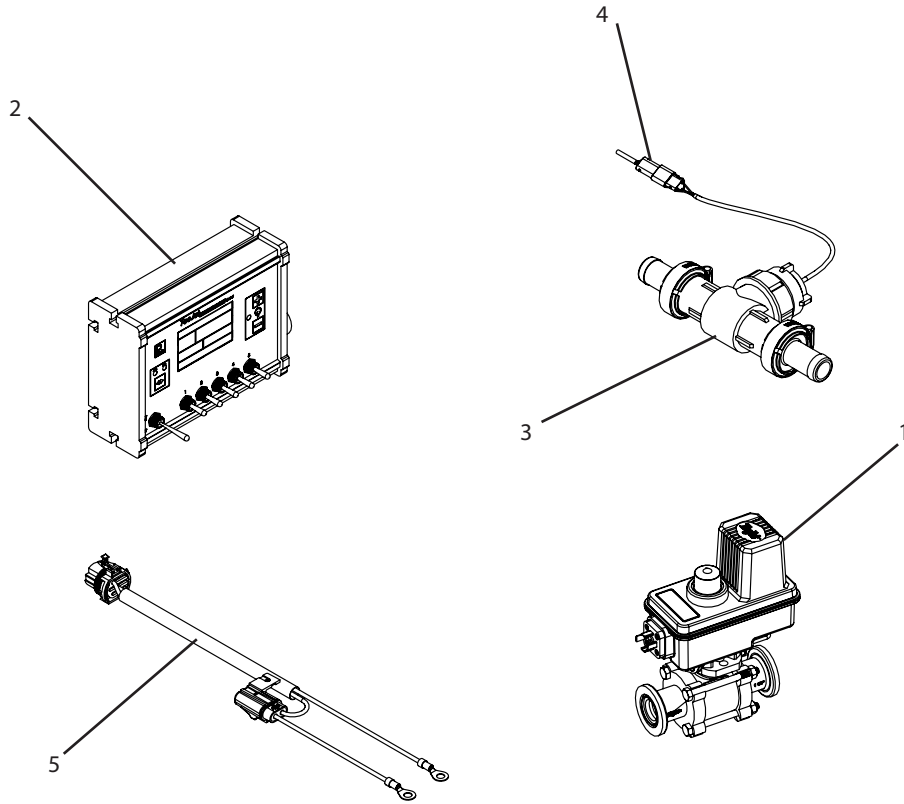
-For use with 460 series TeeJet section control valves.

| Ref# | Qty. | Part Number | Description |
|------|------|----------------|---|
| 1 | 1 | 344BRL-2F-03D* | Valve, Regulating Ball 1" Flange, 6 Second Operation, DIN cable |
| 2 | 1 | 90-50143 | Kit, 845-5 Console w/Mounting Bracket & Manual |
| 3 | 1 | 90-50232 | Kit, Flowmeter 801 w/1-1/4" Hose Barbs |
| 4 | 1 | T422 | CropCare flow meter sensor cable |
| 5 | 1 | T430 | CropCare power harness, 12', for T420 |

*Breakdown available

CTRL1-845 Breakdown

TeeJet 845 5 Switch Control Console Subassembly



-For use with 863 series ARAG section control valves.

| Ref# | Qty. | Part Number | Description |
|------|------|----------------|---|
| 1 | 1 | 344BRL-2F-03D* | Valve, Regulating Ball 1" Flange, 6 Second Operation, DIN cable |
| 2 | 1 | 90-50143 | Kit, 845-5 Console w/Mounting Bracket & Manual |
| 3 | 1 | 90-50230 | Kit, Flow Meter 801 w/1" Hose Barbs |
| 4 | 1 | T422 | CropCare flow meter sensor cable |
| 5 | 1 | T430 | CropCare power harness, 12', for T420 |

*Breakdown available