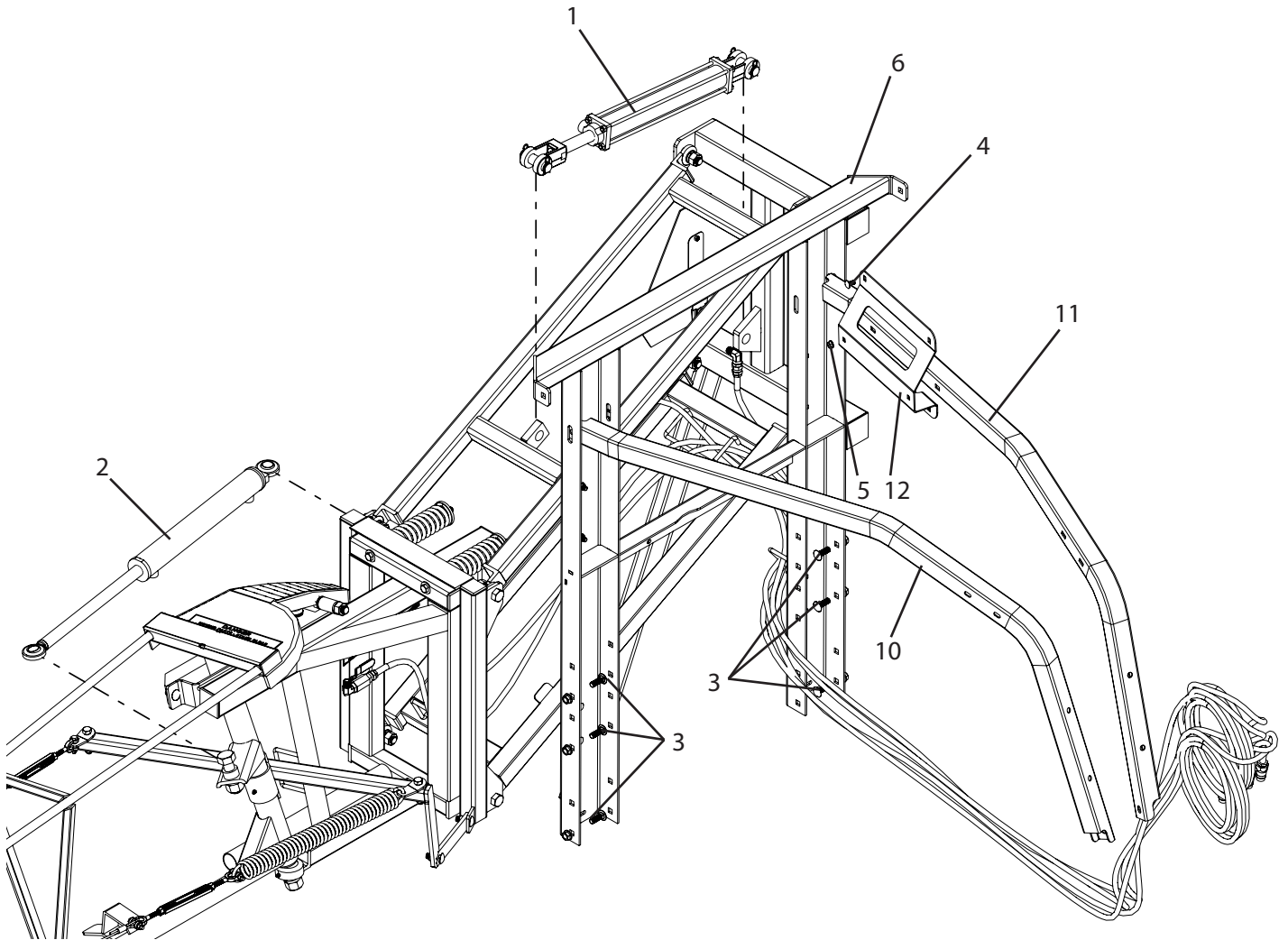


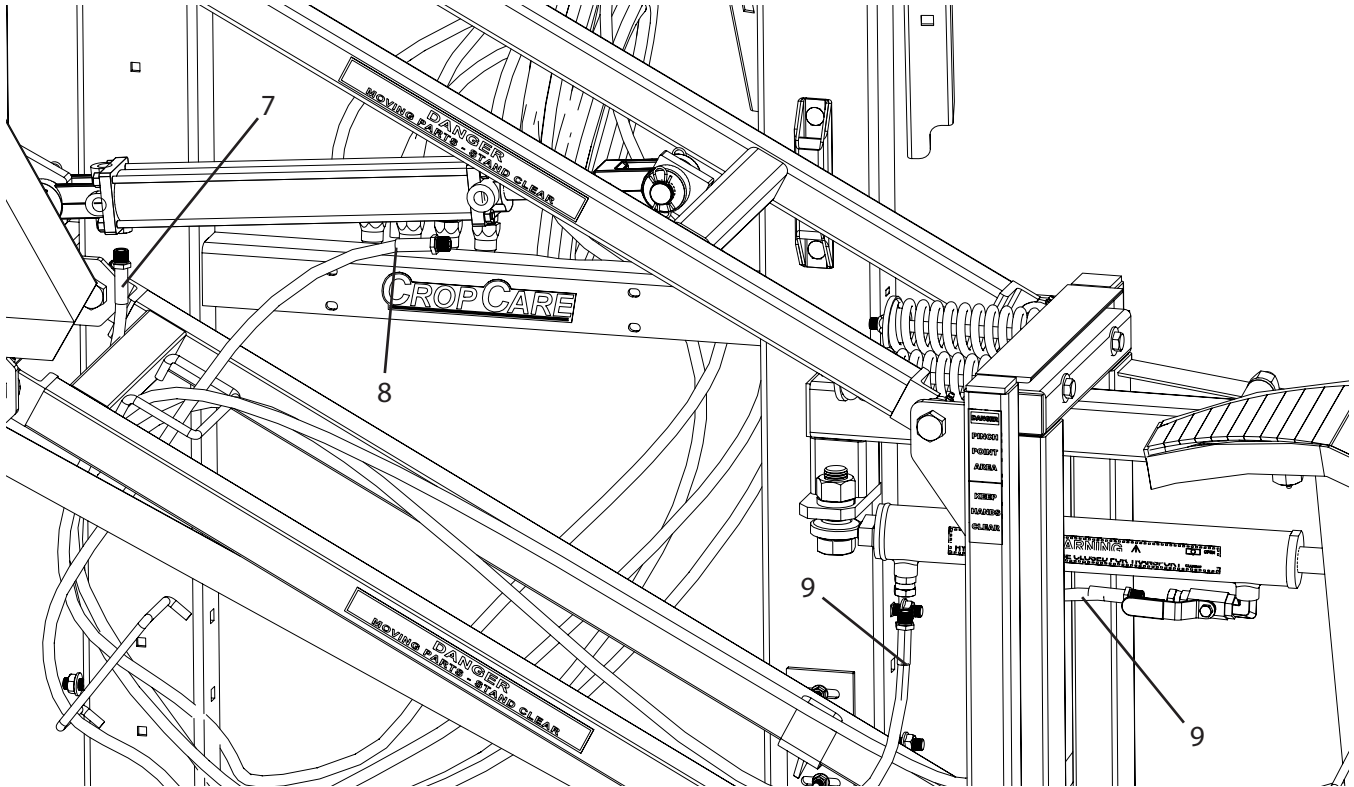
HF25-3PTHD Breakdown

25ft single side boom, for heavy duty 3PT



HF25-3PTHD Breakdown

25ft single side boom, for heavy duty 3PT



Ref#	Qty.	Part Number	Description
1	1	20TX18	Cylinder, Hyd Black 2" Bore x 18" Stroke
2	1	20WC14-112	Cylinder, Hyd Welded 2" Bore x 14" Stroke 1" Ball Joint Ends
3	6	CB12*112G5	Bolt, Carriage 1/2-13 x 1-1/2" Gr 5
4	1	CB38*34G5	Bolt, Carriage 3/8-16 x 3/4" Gr 5
5	1	FN38	Nut, Flange 3/8-16
6	1	HF25	25' single side hydraulic fold boom
7	1	HH1415-2	15' Hose OAL, 1/4" w/ HY04-08MP & HY04-06MP ends
8	1	HH1416-2	16' Hose OAL, 1/4" W/HY04-08MP & HY04-06MP Ends
9	2	HH1418.5-2	18.5' Hose OAL, 1/4" W/HY04-08MP & HY04-06MP Ends
10	1	T618A	3pt sprayer, left brace
11	1	T618B	3pt sprayer, right brace
12	1	T619	Control mount adapter plate, for heavy duty 3PT with 25' boom