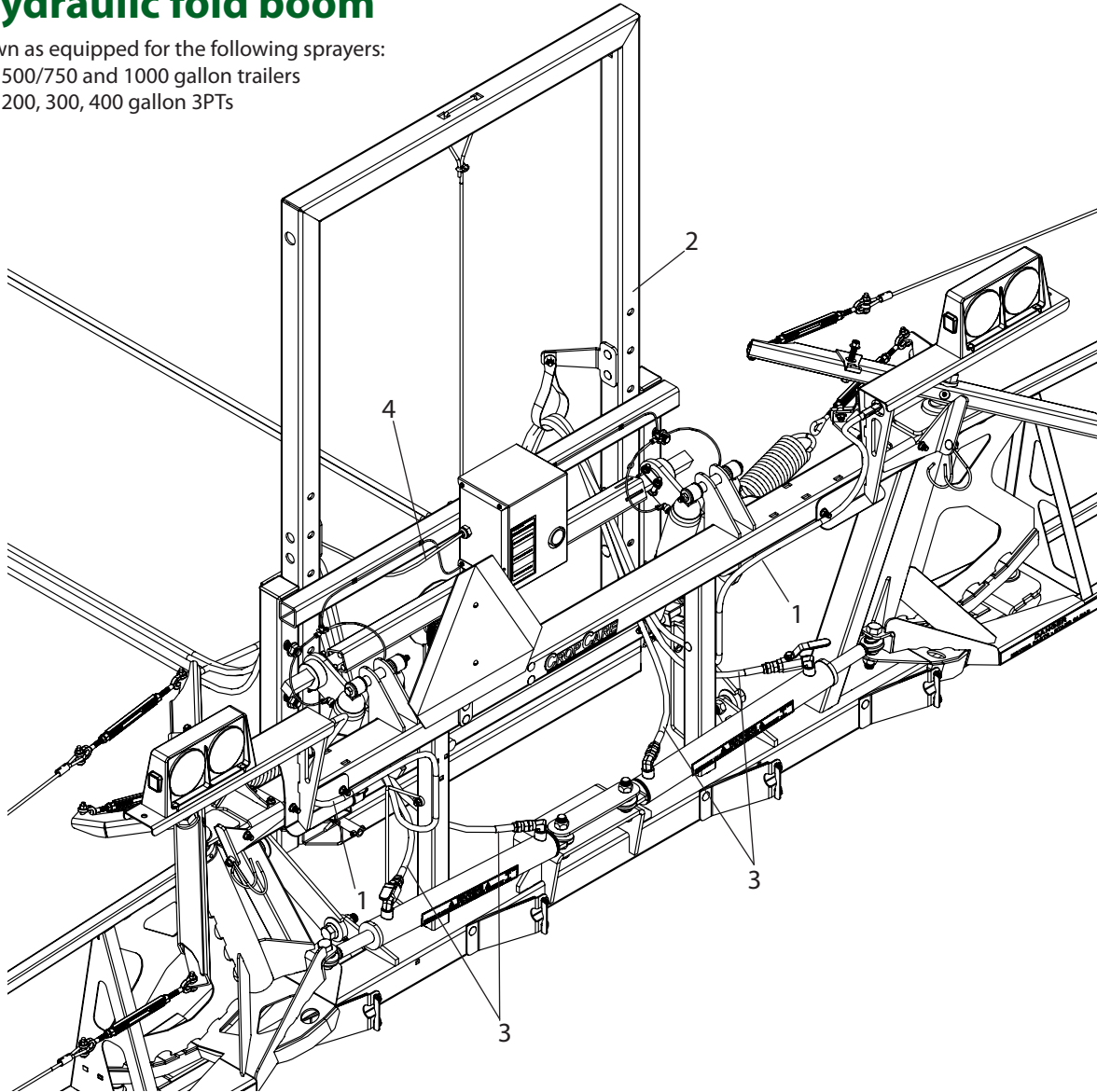


HF60A Breakdown

60ft hydraulic fold boom

NOTE: Shown as equipped for the following sprayers:

- 500/750 and 1000 gallon trailers
- 200, 300, 400 gallon 3PTs



Ref#	Qty.	Part Number	Description
1	34FT	DC784 +	Loom, Flex-Gard 3/8"
1	27FT	DC784 * +	Loom, Flex-Gard 3/8"
1	37FT	DC784 ** +	Loom, Flex-Gard 3/8"
2	1	HF60	60' Hydraulic Fold Boom
3	4	HH1424-2 ++	24' Hose OAL, 1/4"
3	4	HH1417.5-2 * ++	17.5' Hose OAL, 1/4"
3	4	HH1427-2 ** ++	27' Hose OAL, 1/4"
4	20FT	SC162 +	Wire, Jacketed Blk 16-2 SJOW
4	14FT	SC162 * +	Wire, Jacketed Blk 16-2 SJOW
4	23FT	SC162 ** +	Wire, Jacketed Blk 16-2 SJOW

Shown for 500/750 gallon trailer configuration

* For 3PT sprayer configuration

** For 1000 gallon trailer configuration

When used with a high clearance hydraulic lift (BF45HC)

+ Add 2 FT of length to Items 1 and 4.

++ Item 3 is replaced with:

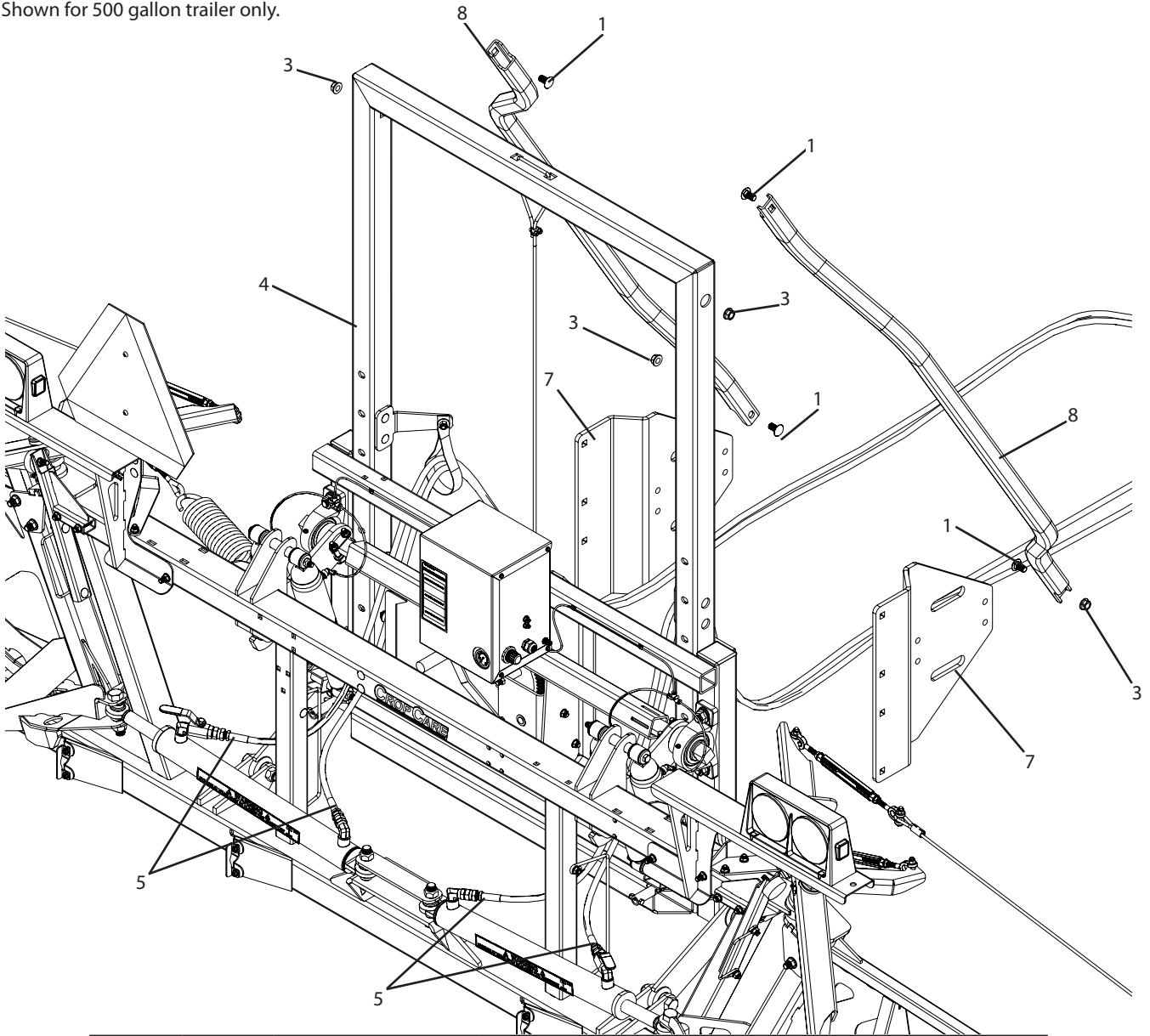
-HH1426-2 (500/750 gallon trailers)

-HH1419.5-2 (3PT sprayer)

-HH1429-2 (1000 gallon trailers)

HF60A Breakdown

NOTE: Shown for 500 gallon trailer only.



Ref#	Qty.	Part Number	Description
1	4	CB12*1G5	Bolt, Carriage 1/2-13 x 1" Gr 5
2	34 FT	DC784 +	Loom, Flex-Gard 3/8"
3	4	FN12	Nut, Flange 1/2-13
4	1	HF60 *	Boom, 60' Hydraulic Fold
5	4	HH1424-2 +	24' Hose OAL, 1/4" with HY04-08MP & HY04-06MP ends
6	20 FT	SC122 +	Wire, Jacketed Blk 12-2 SJOW
7	2	T1221	500 Gallon Trailer, Boom Mount (Air Ride Boom)
8	2	T1237	500 Gallon Trailer, Air Ride Front Fold Boom Brace

* See support page for component parts breakdowns.

+ When used with a high clearance hydraulic lift (BF45HC) add 2 FT of length to Items 2 and 6. Also, replace HH1424-2 with HH1426-2.