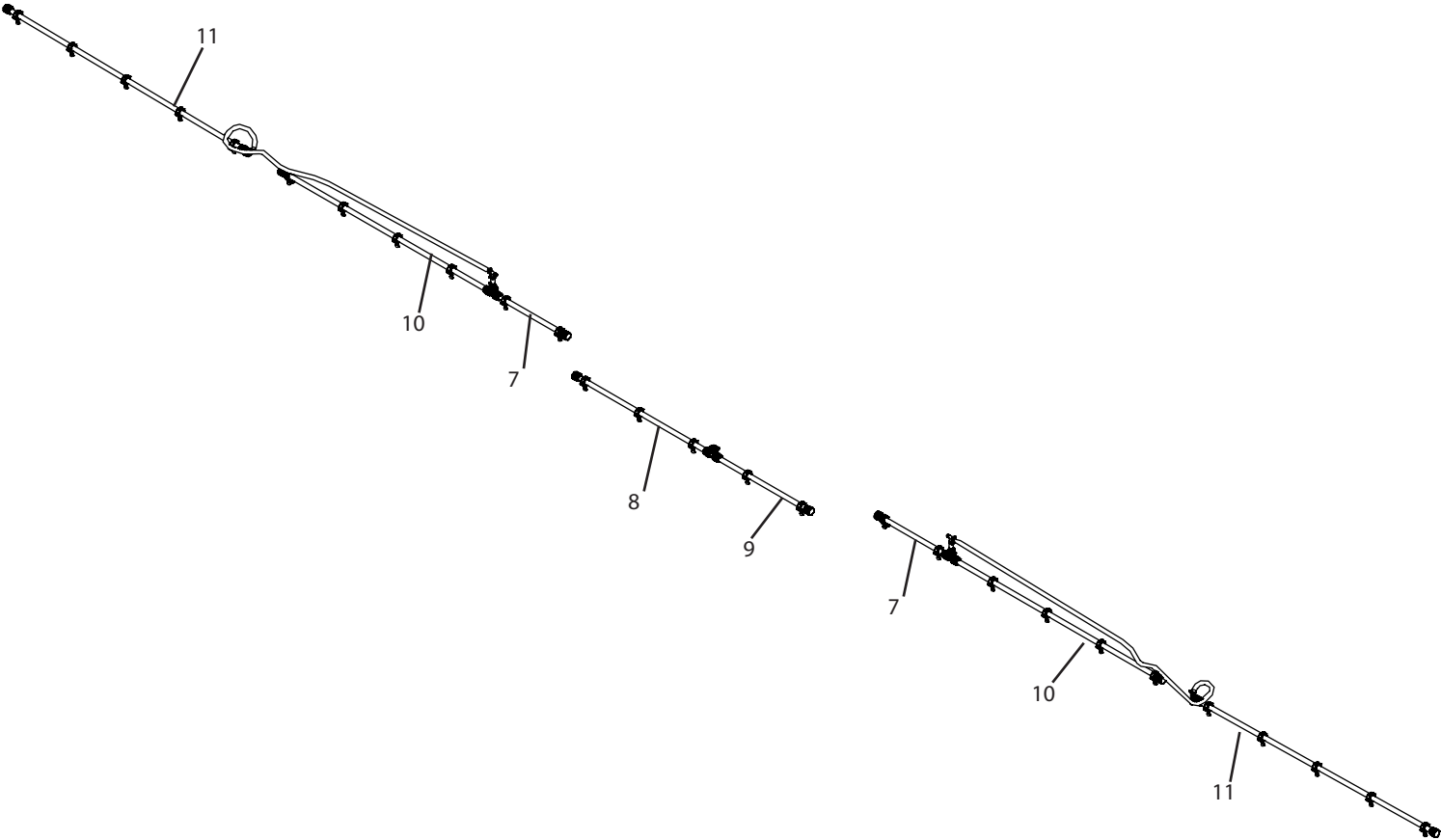


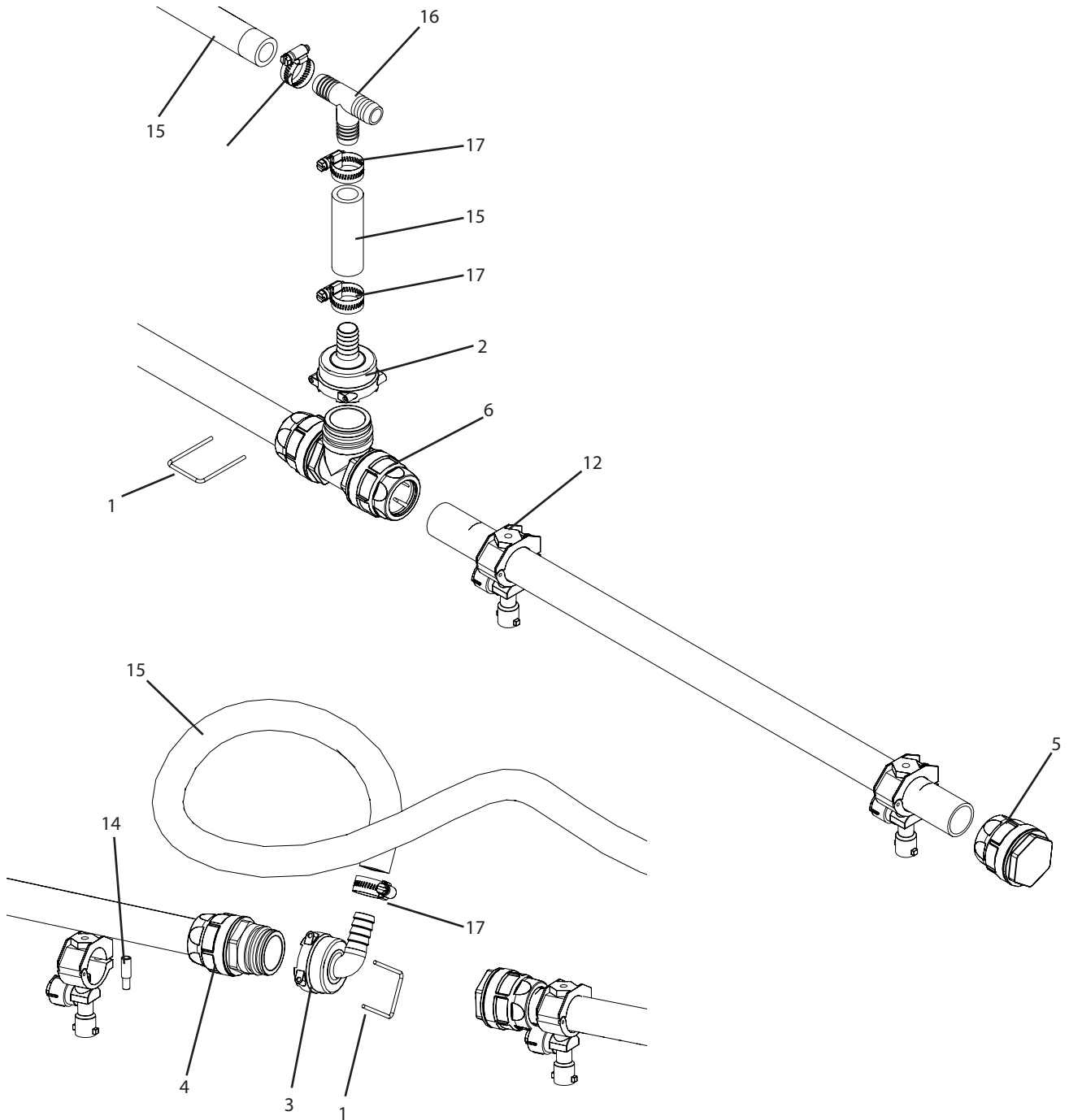
## HFP45-20 Breakdown

Boom plumbing, (27) QJ175 nozzle, 20in spacing



## HFP45-20 Breakdown

Boom plumbing, (27) QJ175 nozzle, 20in spacing



## HFP45-20 Breakdown

### Boom plumbing, (27) QJ175 nozzle, 20in spacing

Ref#	Qty.	Part Number	Description
1	5	10005	Connector, Fork T5 QC
2	2	1090520 *+	Adapter, Hose 3/4" HB to T5 Female QC
3	3	1190520	Elbow, 90° T5 x 3/4" (20mm) HB
4	2	190415 **	Fitting, End 1" Wet Line, with T5 male QC
5	10	190450 **	Cap, End 1" Wet Line
6	3	193415 **	Fitting, Tee 1" Wet Line
7	2	BP114	Inner wing Wet Line, 45' Boom, 20/30 Spacing
8	1	BP117	Center Wet Line, 45' Boom, 20in Spacing
9	1	BP118	Center Wet Line, 45' Boom, 20in Spacing
10	2	BP119	Inner wing Wet Line, 45' Boom, 20in Spacing
11	2	BP120	Outer wing Wet Line, 45' Boom, 20in Spacing
12	25	QJ17560A1NYB	Body, Nozzle Single 1" Wet Line
14	10	CP98583-1-1-SS	Adapter, Rapid Stop (1" Pipe QJ360C QJ380 QJ380F QJS)
15	17	1012*	Hose, EPDM Rubber 3/4" 300 PSI
16	2	T34 *	Tee, 3/4" hose barbs, nylon
17	8	6812052 *	Hose Clamp, 1/2" - 1-1/4" SS

\* Used with 3 section controls.

+ Replace with 1190520 when used with 5 section controls.

\*\* Component parts breakdowns are available.