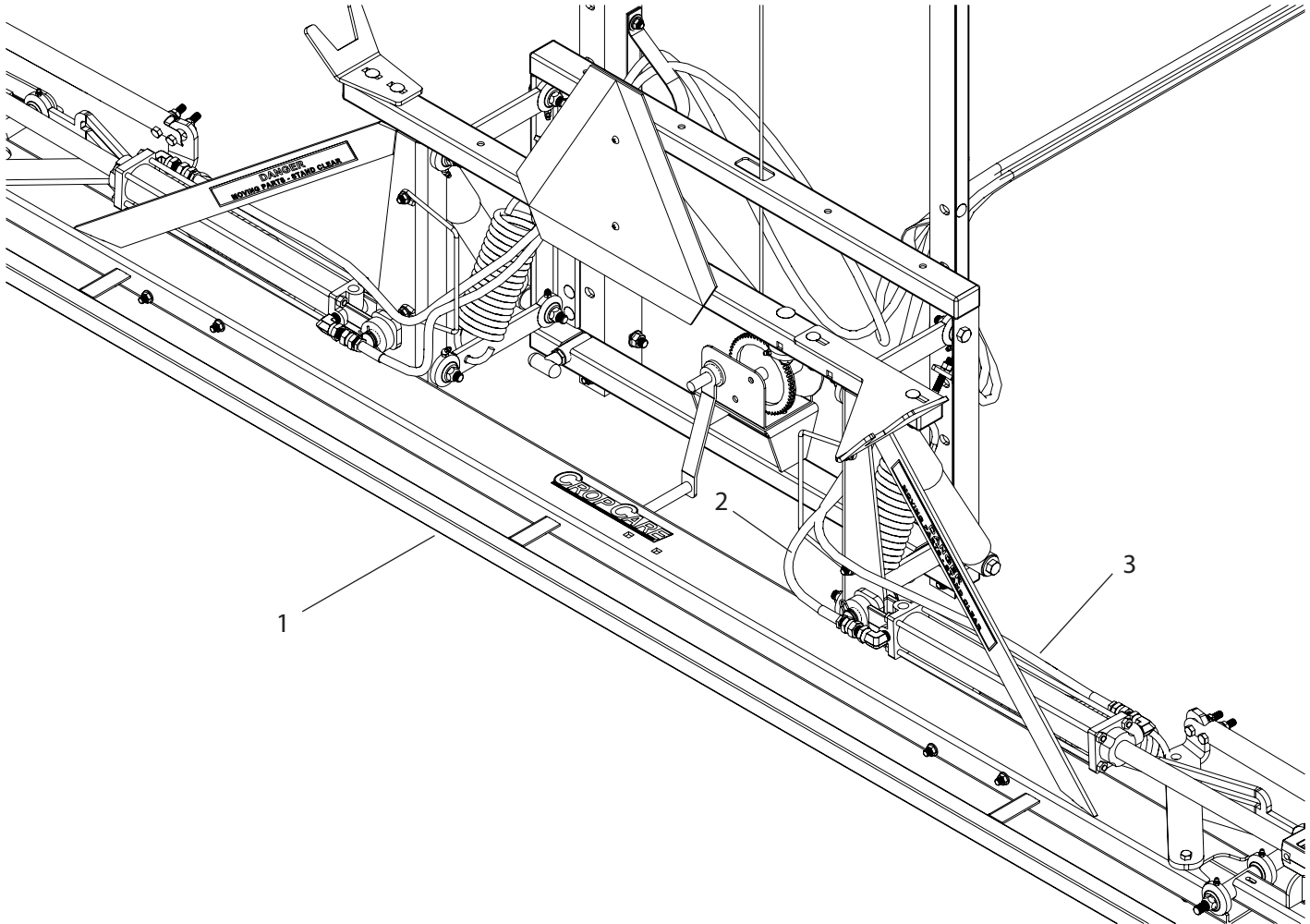


HX30A Breakdown

30ft X-fold hydraulic boom

NOTE:

-Shown as configured on 200, 300, and 400 gallon trailer sprayers.



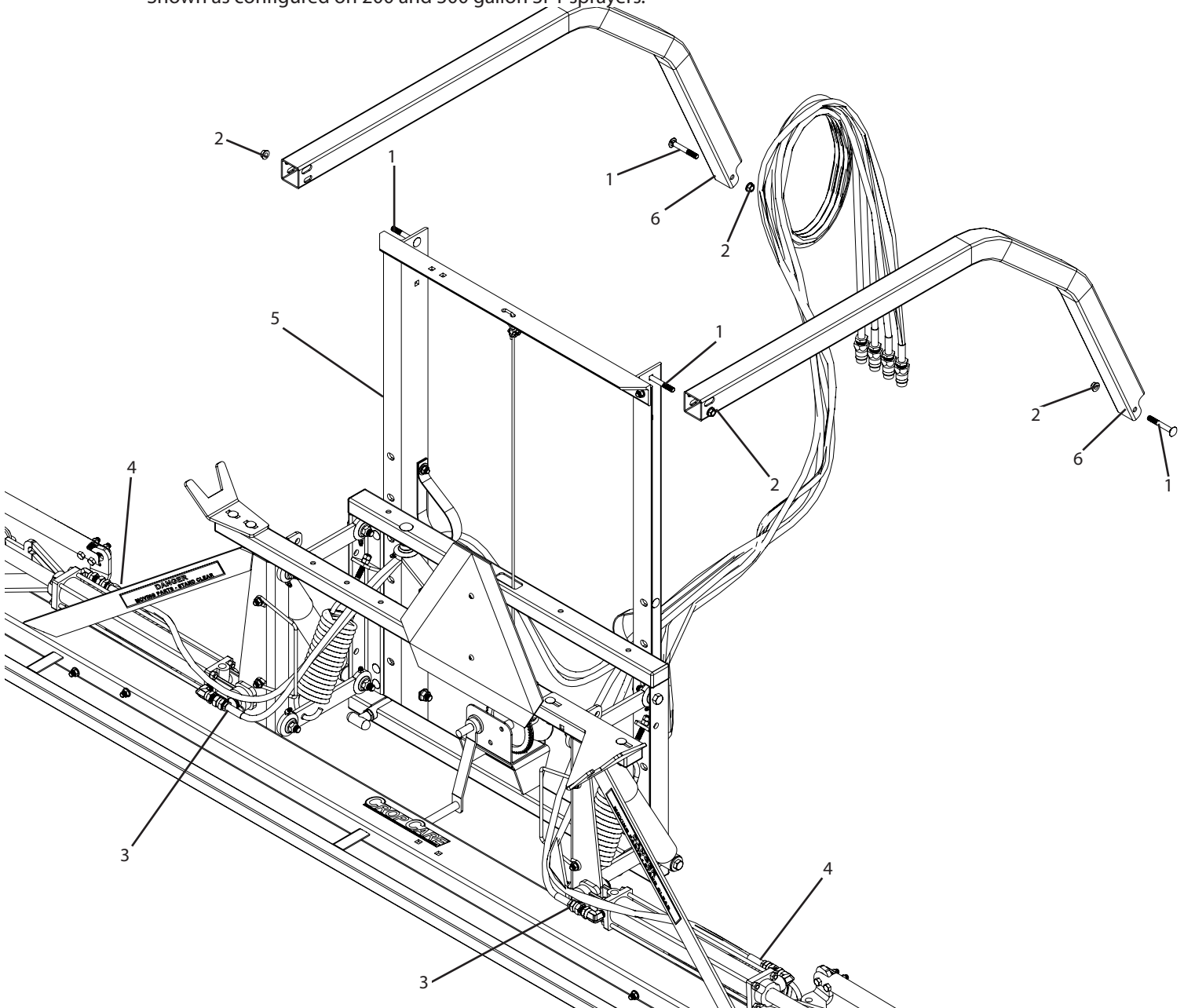
Ref #	Qty.	Part Number	Description
1	1	HX30 *	30ft X-fold hydraulic boom
2	2	HH1419.5-2	19.5' Hose OAL, 1/4" W/HY04-08MP & HY04-06MP Ends
3	2	HH1421-2	21' Hose OAL, 1/4" w/ HY04-08MP & HY04-06MP ends

* See support page for component parts breakdowns.

HX30A Breakdown

NOTE:

-Shown as configured on 200 and 300 gallon 3PT sprayers.



Ref#	Qty.	Part Number	Description
1	4	CB38*234G5	Bolt, Carriage 3/8-16 x 2-3/4" Gr 5
2	4	FN38	Nut, Flange 3/8-16
3	2	HH1414-2	14' Hose OAL, 1/4" w/ HY04-08MP & HY04-06MP ends
4	2	HH1415-2	15' Hose OAL, 1/4" w/ HY04-08MP & HY04-06MP ends
5	1	HX30 *	Boom, 30' X-Fold Hydraulic
6	2	T1304	200-300 Gallon 3PT, X-Fold Boom Brace

* See support page for component parts breakdowns.