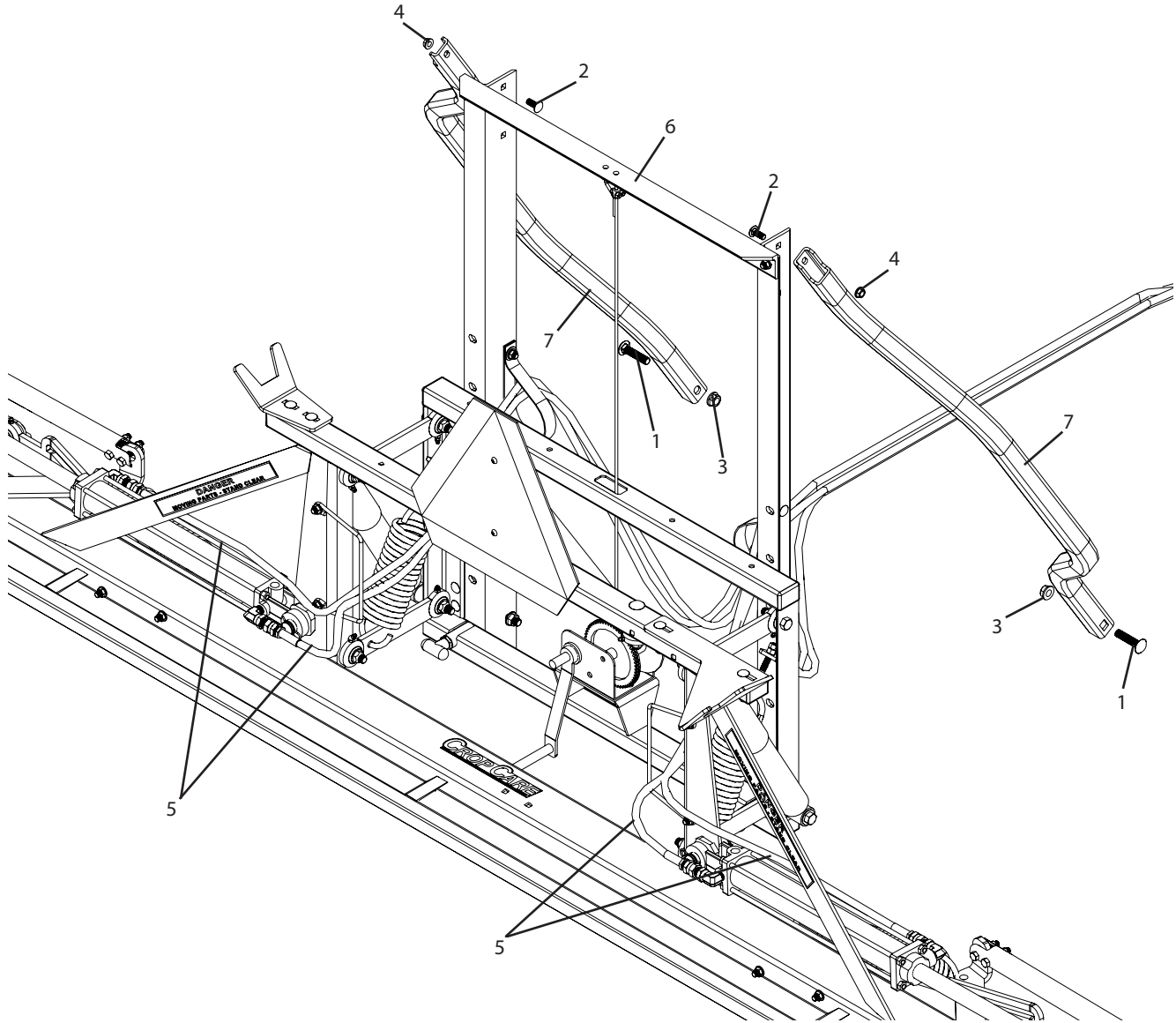


HX45A Breakdown

45ft X-fold hydraulic boom

NOTE:

-Shown as configured on 200, 300, and 400 gallon trailer sprayers.



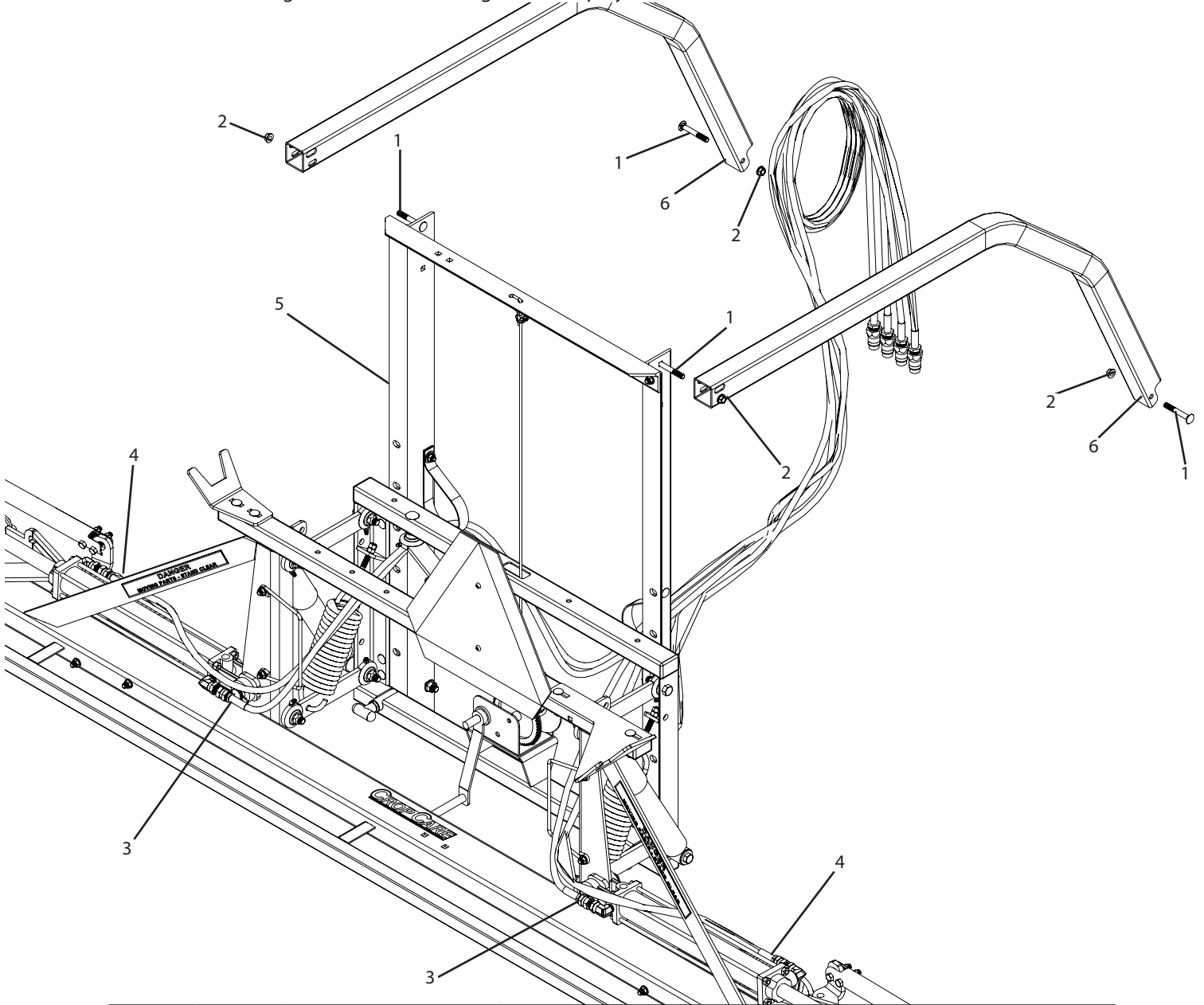
Ref#	Qty.	Part Number	Description
1	2	CB12*214G5	Bolt, Carriage 1/2-13 x 2-1/4" Gr 5
2	2	CB38*1G5	Bolt, Carriage 3/8-16 x 1" Gr 5
3	2	FN12	Nut, Flange 1/2-13
4	2	FN38	Nut, Flange 3/8-16
5	4	HH1421-2	21' Hose OAL, 1/4" W/ HY04-08MP & HY04-06MP Ends
6	1	HX45 *	Boom, 45' X-Fold Hydraulic
7	2	T500	X-fold boom brace, fits T470 frame

* See support page for component parts breakdowns.

HX45A Breakdown

NOTE:

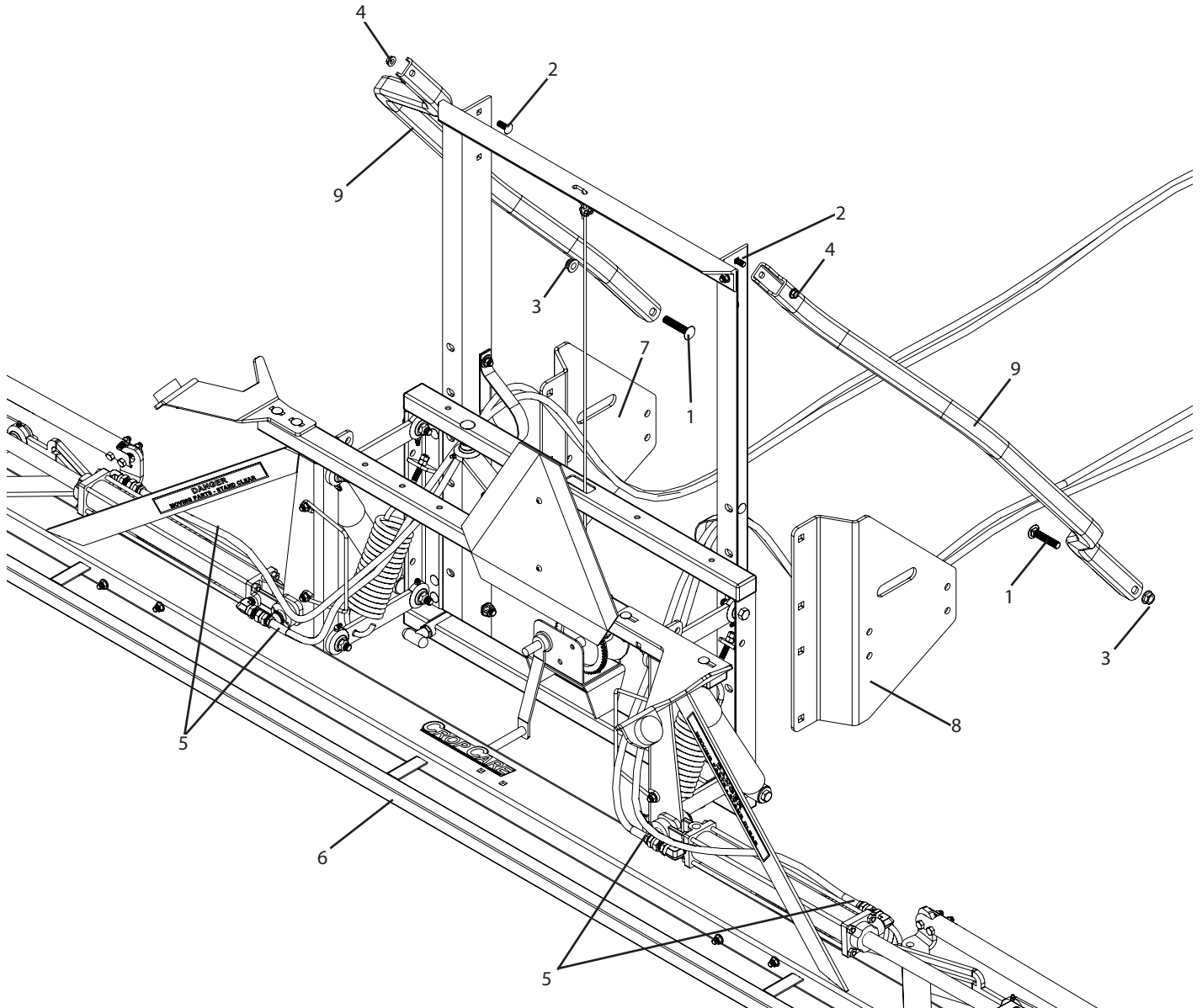
-Shown as configured on 200 and 300 gallon 3PT sprayers.



Ref#	Qty.	Part Number	Description
1	4	CB38*234G5	Bolt, Carriage 3/8-16 x 2-3/4" Gr 5
2	4	FN38	Nut, Flange 3/8-16
3	2	HH1414-2	14' Hose OAL, 1/4" w/ HY04-08MP & HY04-06MP ends
4	2	HH1415-2	15' Hose OAL, 1/4" w/ HY04-08MP & HY04-06MP ends
5	1	HX45 *	Boom, 45' X-Fold Hydraulic
6	2	T1304	200-300 Gallon 3PT, X-Fold Boom Brace

* See support page for component parts breakdowns.

HX45A Breakdown



Ref#	Qty.	Part Number	Description
1	2	CB12*212G5	Bolt, Carriage 1/2-13 x 2-1/2" Gr 5
2	2	CB38*1G5	Bolt, Carriage 3/8-16 x 1" Gr 5
3	2	FN12	Nut, Flange 1/2-13
4	2	FN38	Nut, Flange 3/8-16
5	4	HH1424-2	24' Hose OAL, 1/4" with HY04-08MP & HY04-06MP ends
6	1	HX45 *	Boom, 45' X-Fold Hydraulic
7	1	T1220A	500 Gallon Trailer, X-fold Boom Mount, Side A
8	1	T1220B	500 Gallon Trailer, X-fold Boom Mount, Side B
9	2	T1230	500 Gallon Trailer, X-fold Boom Brace

*Component parts breakdowns are available.