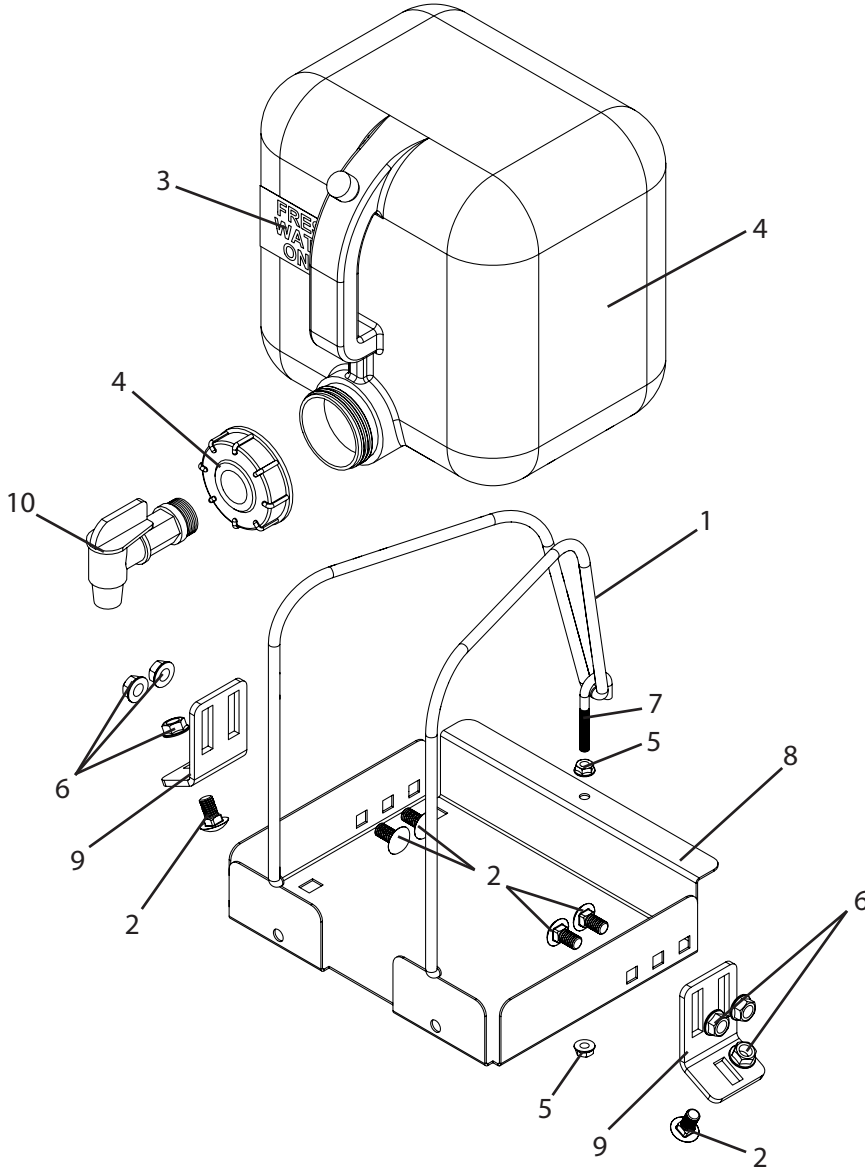


## JD701 Breakdown

### 2.5 gallon fresh water kit, boxed



Ref#	Qty.	Part Number	Description
1	3FT	06173	Cord, Bungee Stretch 5/16" UV Resistant
2	6	CB38*34G5	Bolt, Carriage 3/8-16 x 3/4" Gr 5
3	1	DE21	Decal, "Fresh Water Only" 3-1/2" x 2"
4	1	F2503	Tank, 2.5 Gal White Foamer
5	2	FN14	Nut, Flange 1/4-20
6	6	FN38	Nut, Flange 3/8-16
7	1	N232884	Bolt, J-Bolt 1/4-20 x 2 5/16" Zinc
8	1	T555	Tank pan, black, for 2.5 gal fresh water
9	2	T555A	Brace, black, for 2.5 gallon tank pan
10	1	VDB34	Valve, Drum & Barrel 3/4" MPT PVC White