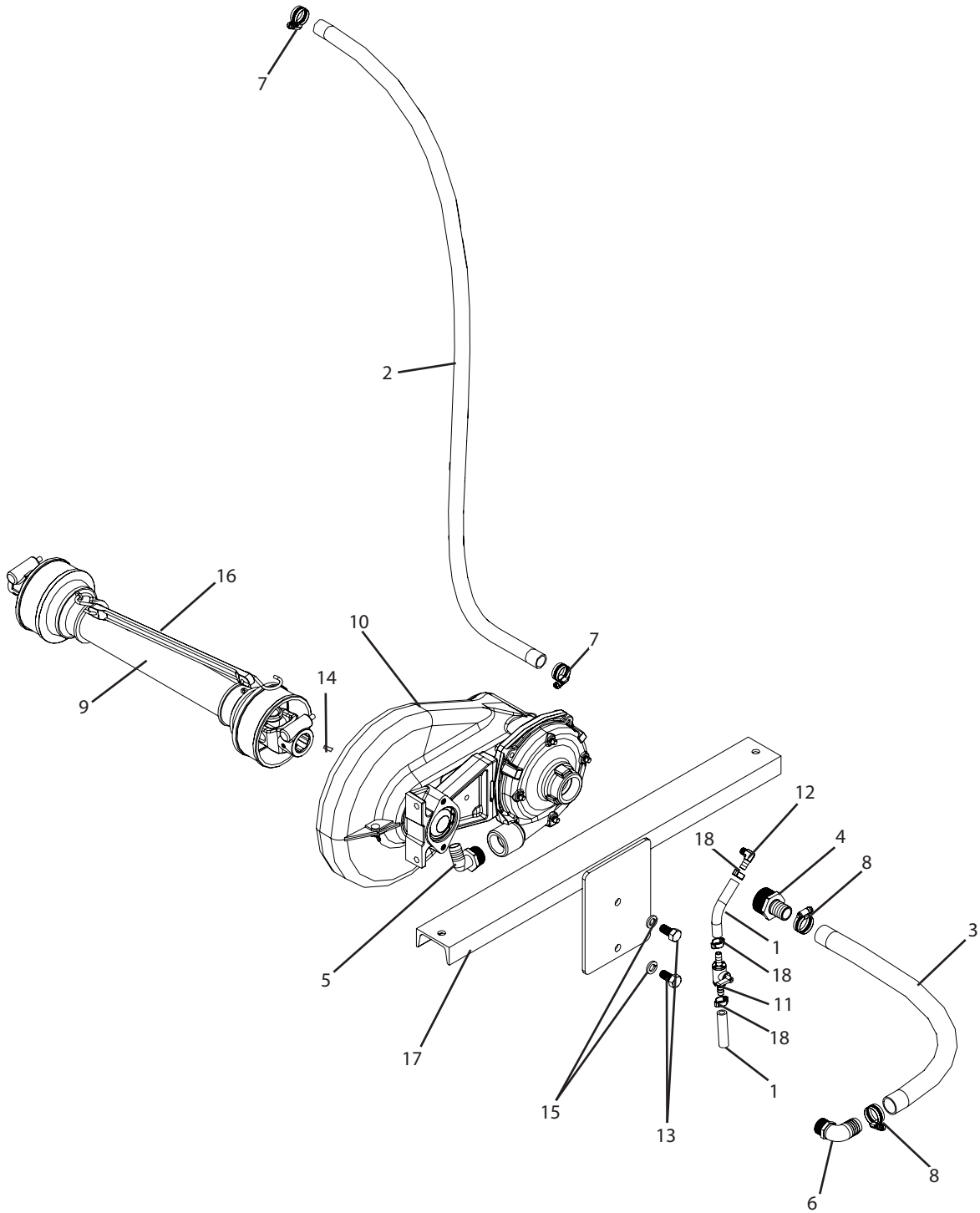


## P3PT-9402C-M Breakdown

### 9402C Hypro belt drive centrifugal



## P3PT-9402C-M Breakdown

### 9402C Hypro belt drive centrifugal

Ref#	Qty.	Part Number	Description
1	1.25 FT	1006	Hose, EPDM Rubber 3/8" 300 PSI
2	5 FT	1012	Hose, EPDM Rubber 3/4" 300 PSI
3	1 FT	3110	Hose, Suction EPDM Blend 1" 80 PSI
4	1	3A114100	Adapter, Hose 1-1/4" MPT x 1" Barb
5	1	3EL10034	Adapter, Hose Ell 1" MPT x 3/4" HB
6	1	3EL34100	Adapter, Hose 90° 3/4" MPT x 1" HB
7	2	6812052	Hose Clamp, 1/2" - 1-1/4" SS
8	2	6816052	Hose Clamp, 11/16" - 1-1/2" SS
9	1	7101051UC007602	Driveline, PTO BP #1 * 1-3/8" 6 Spline x 1" RB approx. 27.125" oa length collapsed
10	1	9402C540S *	Pump, Centrifugal Belt-Driven 1" Shaft 1-1/4" FPT Inlet 1" FPT Outlet
11	1	9432	Valve, Ball 3/8" Hose Barbs
12	1	EL1838BR	Adapter, Hose Ell 1/8" MPT x 3/8" HB Brass
13	2	H5C12*1	Bolt, Hex 1/2-13 x 1" Gr 5
14	1	KEY14	Key, Machine 1/4" x 1-1/4" Sq Ends
15	2	LW12	Washer, Lock 1/2"
16	1	TS15	Tarp Strap, 15" Rubber
17	1	T561	Pump mount bracket, 9402C on T150 frame
18	3	W1518	Clamp, Oetiker 5/8"

\* Component parts breakdowns are available for these parts.