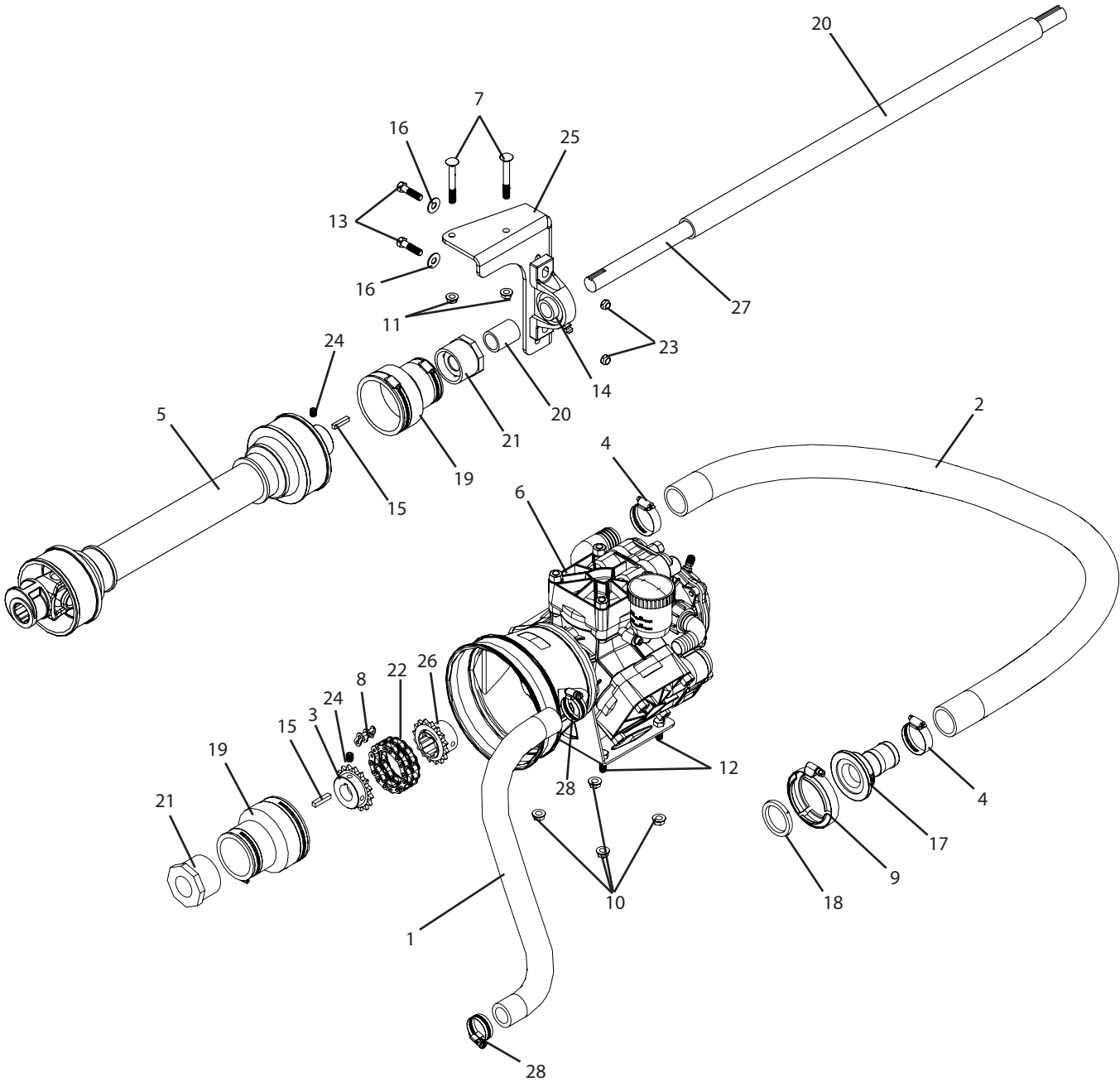


P3PT-D135-M Breakdown

D135 Hypro (3) diaphragm pump with PTO



P3PT-D135-M Breakdown

D135 Hypro (3) diaphragm pump with PTO

Ref#	Qty.	Part Number	Description
1	6 FT	1116	Hose, Nitrile Grizzly 1" 500 PSI
2	3 FT	3112	Hose, Suction EPDM Blend 1-1/2" 60 PSI
3	1	401616	Sprocket, Roller Chain 16 Teeth 1" Bore (Use w/No. 40 - 1/2" Pitch Chain)
4	2	6824052	Hose Clamp, 1" - 2" SS
5	1	7101051UC007602	Driveline, PTO BP #1 * 1-3/8" 6 Spline x 1" RB approx. 27.125" oa length collapsed
6	1	AR135BPC *	Pump, Diaphragm (3) 1-1/2" HB Inlet, 1" Hose Barb Outlet 33.8 GPM 290 PSI
7	2	CB38*3G5	Bolt, Carriage 3/8-16 x 3" Gr 5
8	1	CL402US	Link, Connector Chain No. 40-2 USA
9	1	FC200 +	Clamp, Flange 2" Std SS
10	4	FN12	Nut, Flange 1/2-13
11	2	FN38	Nut, Flange 3/8-16
12	4	H5C12*1	Bolt, Hex 1/2-13 x 1" Gr 5
13	2	H5C716*212	Bolt, Hex 7/16-14 x 2-1/2" Gr 5
14	1	HCP205-16P	Bearing, Pillow Block 1" Bore
15	2	KEY14	Key, Machine 1/4" x 1-1/4" Sq Ends
16	2	LW716	Washer, Lock 7/16"
17	1	M200150BRB +	Fitting, Flange 1-1/2" HB x 2" Flange
18	1	M201G +	Gasket, Manifold EPDM 2" w/Rib
19	2	P105632	Coupling, Flex Seal 3" x 2" Fernco
20	3 FT	PVC1	Pipe, 1" Sch 40 PVC
21	2	RB21P	Bushing, Reducer PVC 2" x 1" Sch 40
22	0.7 FT	RC402US	Chain, Roller USA, #40-2R, 1/2" pitch
23	2	SNC716	Nut, Lock Steel 7/16-14
24	2	SSC38*12	Screw, Allen Set 3/8-16 x 1/2"
25	1	T594 +++	3pt sprayer, bearing plate for PTO
26	1	T608	Hub & Sprocket Weldment
27	1	T616 ++	Shaft, 3pt pump kit, high pressure
28	2	TB138	Clamp, T-Bolt 1-3/8" - 1-9/16"

* Component parts breakdowns are available for these parts.

+ Parts are not used with rinse, education, and quick fill subassemblies. Replace with 3A114112 when used on 200-300 gallon 3pts.

++ Shown for 300-400 gallon 3pts. Replace with 1441600 when used on 200-300 gallon 3pts.

+++ Not used on 200-300 gallon 3pts.