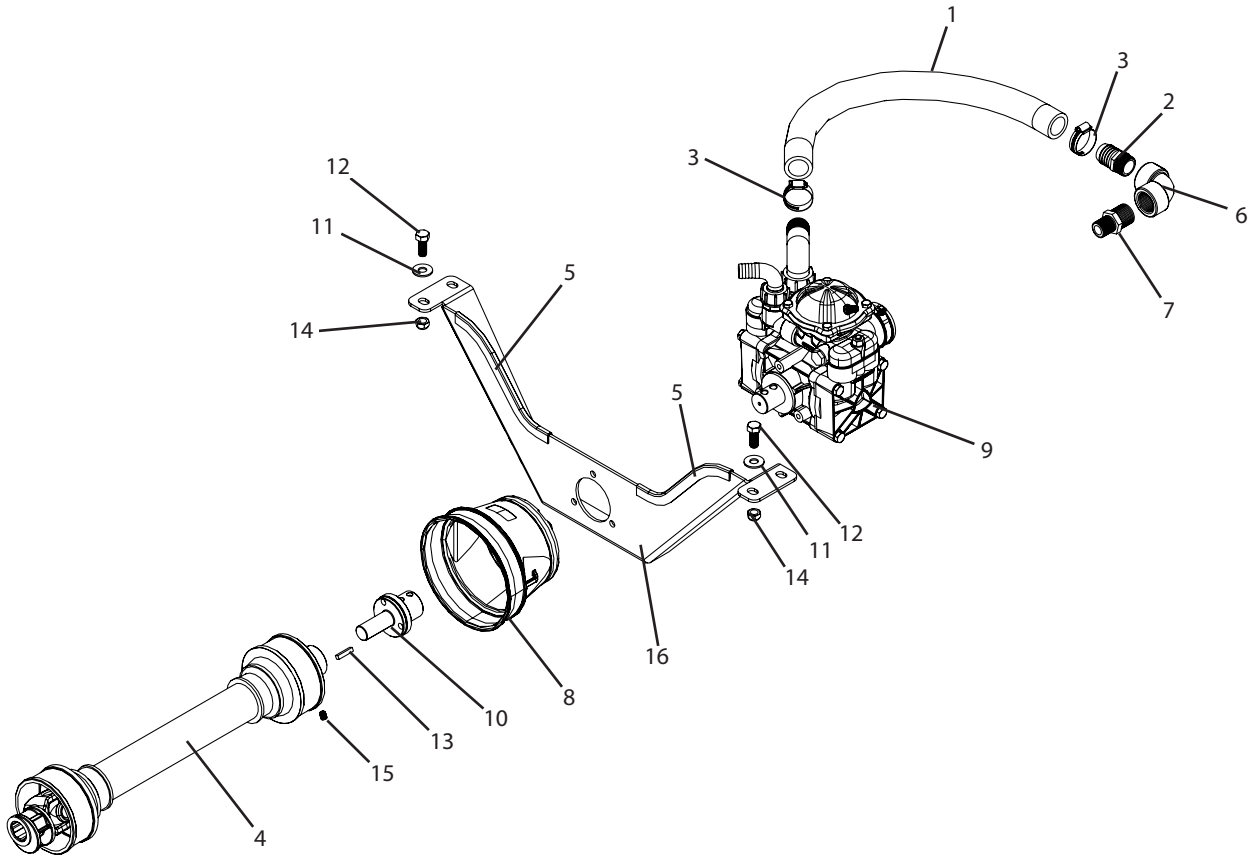


P3PT-D70 Breakdown

D70 Hypro diaphragm pump, female shaft tractor PTO mounted



Ref#	Qty.	Part Number	Description
1	2.5 FT	3111	Hose, Suction EPDM Blend 1-1/4" 70 PSI
2	1	3A100114	Fitting, Hose 1" MPT x 1-1/4" HB
3	2	6820052	Hose Clamp, 3/4" - 1-3/4" SS
4	1	7101051UC007602	Driveline, PTO BP #1 * 1-3/8" 6 Spline x 1" RB approx. 27.125" oa length collapsed
5	2	8451A53	Trim, Push-on Rubber w/Steel Core 5/64" - 13/64"
6	1	8LL100	Elbow, Pipe 90° 1" FPT Sch 80 Poly
7	1	8M134	Nipple, Reducer 1" MPT x 3/4" MPT Sch 80 Poly
8	1	99101500350	Shield, Hypro Pump
9	1	9910D70 *	Pump, Diaphragm (2) 1-1/4" HB Inlet 1" HB Outlet 19 GPM 290 PSI
10	1	9910KIT1711	Kit, Shaft 1" Solid Shaft (D70 & D115)
11	2	FW12	Washer, Flat 1/2" USS
12	2	H5C12*114	Bolt, Hex 1/2-13 x 1-1/4" Gr 5
13	1	KEY14	Key, Machine 1/4" x 1-1/4" Sq Ends
14	2	SNC12	Nut, Lock Steel 1/2-13
15	1	SSC38*12	Screw, Allen Set 3/8-16 x 1/2"
16	1	T635	Pump mount bracket, D70 on T150

* Component parts breakdowns are available for these parts.