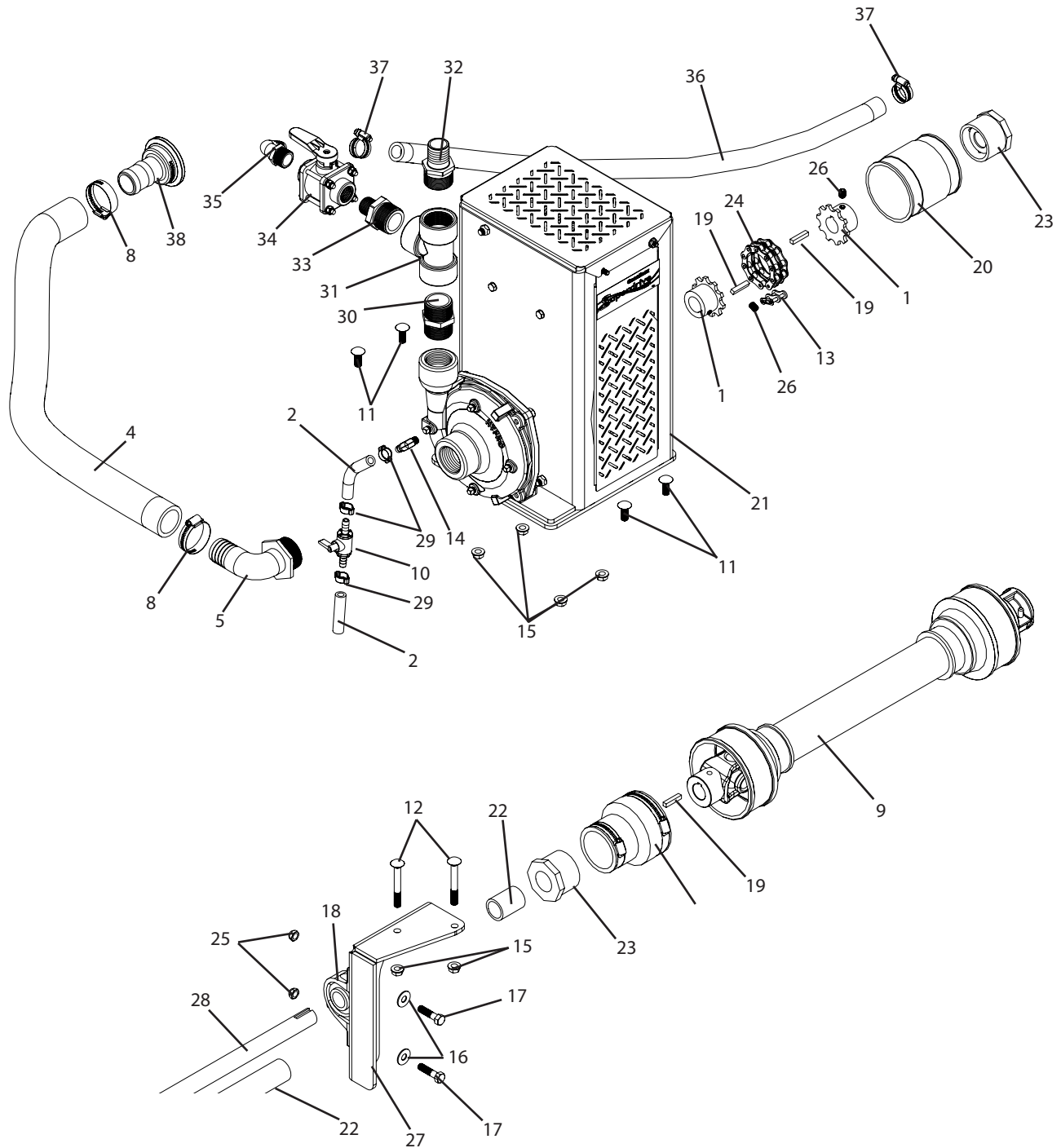


## P3PT-PT150-M Breakdown

### SuperDrive centrifugal pump



## P3PT-PT150-M Breakdown

### SuperDrive centrifugal pump

Ref#	Qty.	Part Number	Description
1	2	0311600	Coupler, Roller Chain #60 Flexible 1" Bore Sprocket x 10 Teeth
2	1.2 FT5	1006	Hose, EPDM Rubber 3/8" 300 PSI
3	3 FT	10104	Hose, EPDM Rubber 1-1/4" 150 PSI
4	2.5 FT	3112	Hose, Suction EPDM Blend 1-1/2" 60 PSI
5	1	3EL112	Elbow, Hose 90° 1-1/2" MPT x 1-1/2" Barb
6	1	3EL114	Elbow, Hose 90° 1-1/4" MPT x 1-1/4" Barb
7	2	6820052	Hose Clamp, 3/4" - 1-3/4" SS
8	2	6824052	Hose Clamp, 1" - 2" SS
9	1	7101051UC007602	Driveline, PTO BP #1 * 1-3/8" 6 Spline x 1" RB approx. 27.125" oa length collapsed
10	1	9432	Valve, Ball 3/8" Hose Barbs
11	4	CB38*1G5	Bolt, Carriage 3/8-16 x 1" Gr 5
12	2	CB38*3G5	Bolt, Carriage 3/8-16 x 3" Gr 5
13	1	CL60PRC	Link, Connector Chain No 60-1 PRC
14	1	EL1838BR	Adapter, Hose Ell 1/8" MPT x 3/8" HB Brass
15	6	FN38	Nut, Flange 3/8-16
16	2	FW38	Washer, Flat 3/8"
17	2	H5C38*112	Bolt, Hex 3/8-16 x 1-1/2" Gr 5
18	1	HCP205-16P	Bearing, Pillow Block 1" Bore
19	3	KEY14	Key, Machine 1/4" x 1-1/4" Sq Ends
20	1	P105632	Coupling, Flex Seal 3" x 2" Fernco
21	1	PT150-540B *	Pump, Superdrive Centrifugal 1" Input Shaft 1-1/2" FPT Inlet x 1-1/4" FPT Outlet
22	3 FT	PVC1	Pipe, 1" Sch 40 PVC
23	2	RB21P	Bushing, Reducer PVC 2" x 1" Sch 40
24	0.56 FT	RC60RPRC	Chain, Roller Import #60-1R 3/4" Pitch
25	2	SNC38	Nut, Lock Steel 3/8-16
26	2	SSC38*12	Screw, Allen Set 3/8-16 x 1/2"
27	1	T594	3pt sprayer, bearing plate for PTO
28	1	T617	Shaft, 3PT Pump Kit (Low Pressure)
29	3	W1518	Clamp, Oetiker 5/8"
30	1	8M114 +	Nipple, 1-1-4" MPT x Close Sch 80 Poly
31	1	8TT114 +	Tee, Poly 1-1/4" FPT Sch 80
32	1	3A114 +	Fitting, Hose 1-1 /4" MPT x 1-1/4" HB
33	1	8M11434 +	Nipple, Reducer 1-1/4" MPT x 3/4" MPT Sch 80 Poly
34	1	075FP +	Valve, Ball Bolted 3/4" Full Port
35	1	3EL3434 +	Adapter, Hose 90° 3/4" MPT x 3/4" HB
36	2.5 FT	1008 +	Hose, EPDM Rubber 1/2" 300 PSI
37	2	6806052 +	Hose Clamp, 1/2" - 29/32" SS
38	1	M200150BRB +	Fitting, Flange 1-1/2" HB x 2" Flange

\*Component parts breakdowns available.

+These components are used without rinse, quick fill, and education.