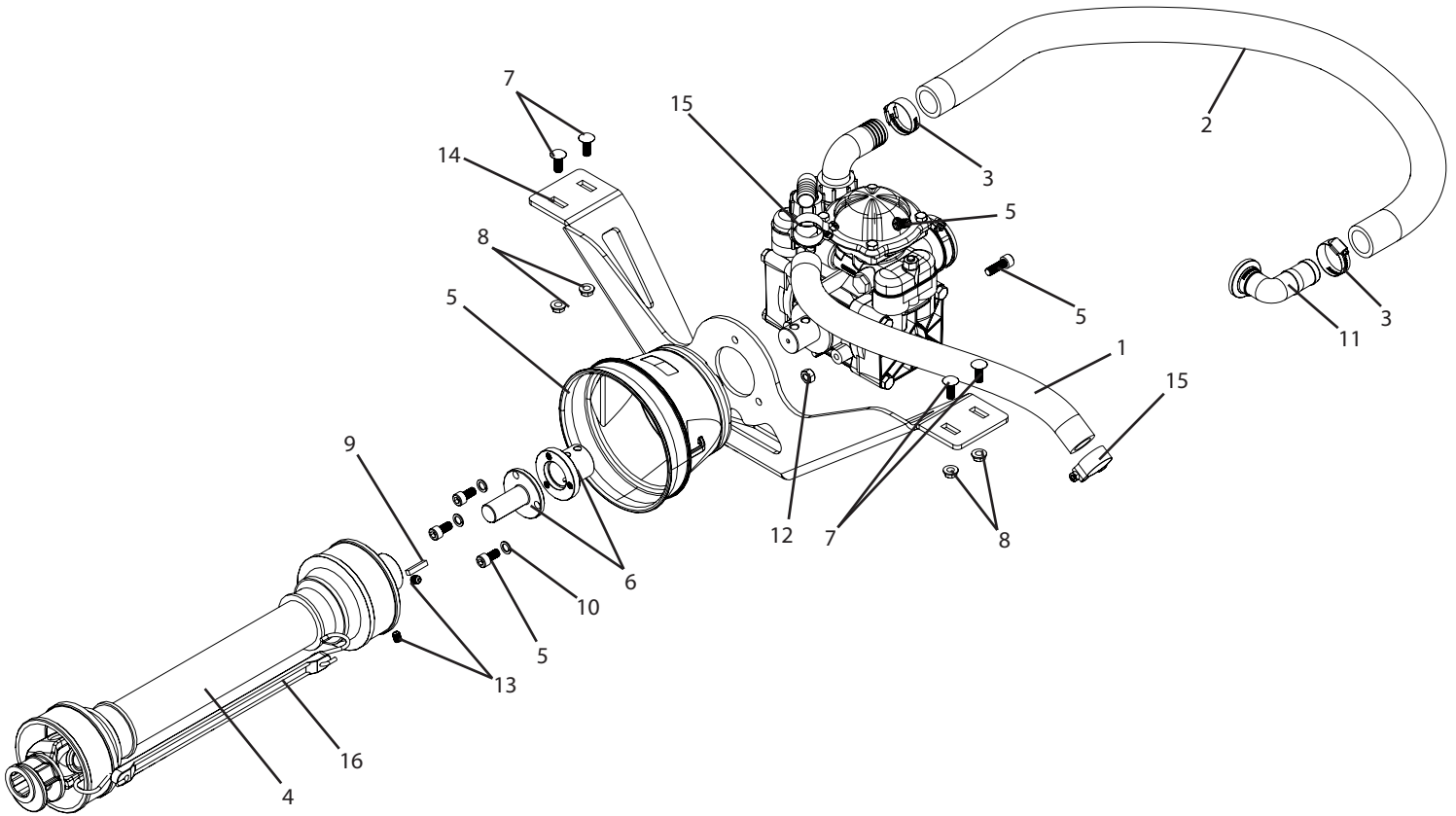


P3PT1-D70 Breakdown

D70Hypro (2) diaphragm pump subassembly, 3PT205H and 3PT305H



Ref#	Qty.	Part Number	Description
1	2 FT	1116	Hose, Nitrile Grizzly 1" 500 PSI
2	5.5 FT	3111	Hose, Suction EPDM Blend 1-1/4" 70 PSI
3	2	6824052	Hose Clamp, 1-1/16" - 2" SS
4	1	7101051UC007602	Driveline, PTO BP #1 * 1-3/8" 6 Spline x 1" RB
5	1	9910D70 *	Pump, Diaphragm (2) 1-1/4" HB Inlet 1" HB Outlet 19 GPM 290 PSI
6	1	9910KIT1711	Kit, Shaft 1" Solid Shaft (D70 & D115)
7	4	CB38*1G5	Bolt, Carriage 3/8-16 x 1" Gr 5
8	4	FN38	Nut, Flange 3/8-16
9	1	KEY14	Key, Machine 1/4" x 1-1/4" Sq Ends
10	3	LW716	Washer, Lock 7/16"
11	1	M100125BRB90	Flange, 1-1/4" 90 Degree HB x 1" Flange
12	1	NC10M	Nut, Hex 10mm x 1.25 Pitch
13	2	SSC38*12	Screw, Allen Set 3/8-16 x 1/2"
14	1	T306	200-300, D135 Pump Mount
15	2	TB138	Clamp, T-Bolt 1-3/8" - 1-9/16"
16	1	TS15	Tarp Strap, 15" Rubber

* Has component parts breakdown available.