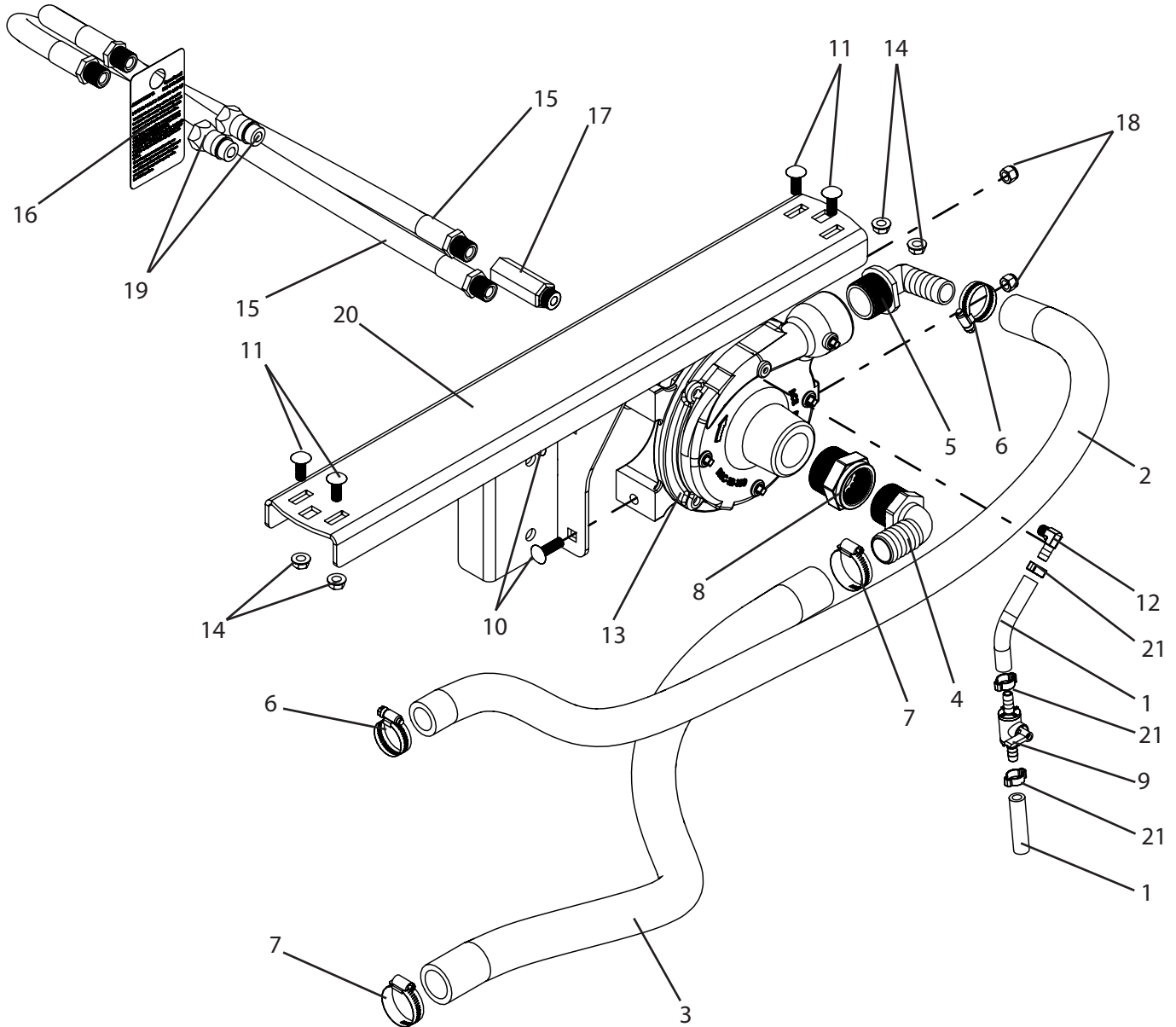


P3PT1-FMC Breakdown

Ace FMC-15-HYD pump subassembly, 200-300 3pt sprayer



P3PT1-FMC Breakdown

Ace FMC-15-HYD pump subassembly, 200-300 3pt sprayer

Ref#	Qty.	Part Number	Description
1	1.5 FT	1006	Hose, EPDM Rubber 3/8" 300 PSI
2	4 FT	1016	Hose, EPDM Rubber 1" 300 PSI
3	5.5 FT	3111	Hose, Suction EPDM Blend 1-1/4" 70 PSI
4	1	3EL114	Elbow, Hose 90° 1-1/4" MPT x 1-1/4" Barb
5	1	3EL114100	Adapter, Hose 90° 1-1/4" MPT x 1" HB
6	2	6816052	Hose Clamp, 13/16" - 1-1/2" SS
7	2	6820052	Hose Clamp, 13/16" - 1-3/4" SS
8	1	8RB112114	Bushing, Reducer 1-1/2" MPT x 1-1/4" FPT Sch 80 Poly
9	1	9432	Valve, Ball 3/8" Hose Barbs
10	2	CB38*114G5	Bolt, Carriage 3/8-16 x 1-1/4" Gr 5
11	4	CB38*1G5	Bolt, Carriage 3/8-16 x 1" Gr 5
12	1	EL1838BR	Adapter, Hose Ell 1/8" MPT x 3/8" HB Brass
13	1	FMC-150-HYD-206 *	Pump, Ace Centrifugal 7 GPM Hyd Drive (150 Series)
14	4	FN38	Nut, Flange 3/8-16
15	2	HH1205-1	5' Hose OAL, 1/2" w/ HY08-08MP ends
16	1	HYDRETTAG	Tag, Yellow Return Line On Hyd Pump
17	1	LS-206N	Liminter, Flow 7GPM 1/2" NPT x #8 (206 Hyd Motor)
18	2	NNC38	Nut, Lock Nylon 3/8-16
19	2	S71-4	Tip, Hyd Male 1/2" FPT Fits S20-S40-S70
20	1	T307	Pump Mount, 200-300 3PT, 9402C and FMC pumps
21	3	W1518	Clamp, Oetiker 5/8"

*Has component parts breakdown available.