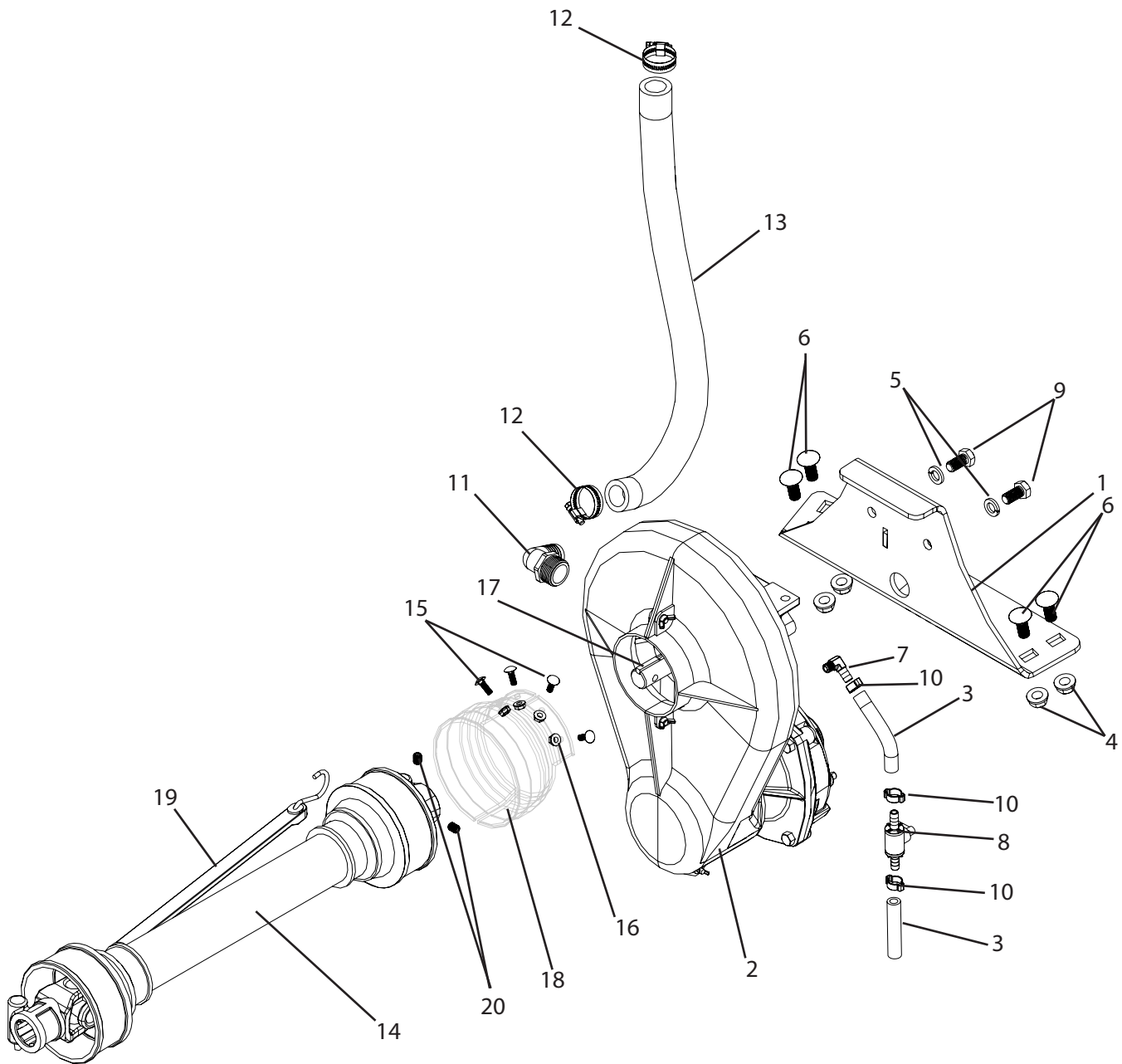


P400-9402C540S Breakdown

9402C Hypro belt drive centrifugal (TR400)



P400-9402C540S Breakdown

9402C Hypro belt drive centrifugal (TR400)

Ref#	Qty.	Part Number	Description
1	1	T467	9402C540S Pump Mount
2	1	9402C540S *	Pump, Centrifugal Belt-Driven 1" Shaft 1-1/4" FPT Inlet 1" FPT Outlet
3	1.25	1006 +	Hose, EPDM Rubber 3/8" 300 PSI
4	4	FN12	Nut, Flange 1/2-13
5	2	LW12	Washer, Lock 1/2"
6	4	CB12*114G5	Bolt, Carriage 1/2-13 x 1 1/4" Gr 5
7	1	EL1838BR +	Adapter, Hose Ell 1/8" MPT x 3/8" HB Brass
8	1	9432 +	Valve, Ball 3/8" Hose Barbs
9	2	H5C12*1	Bolt, Hex 1/2-13 x 1" Gr 5
10	3	W1518 +	Clamp, Oetiker 5/8"
11	1	3EL100	Adapter, Hose Ell 1" MPT x 1" HB
12	2	6816052	Hose Clamp, 13/16" - 1-1/2" SS
13	4	1016	Hose, EPDM Rubber 1" 300 PSI
14	1	7101051UC007602	Driveline, PTO BP #1 * 1-3/8" 6 Spline x 1" RB
15	4	CB14*34	Bolt, Carriage 1/4-20 x 3/4" Gr 2
16	4	FN14	Nut, Flange 1/4-20
17	1	KEY14	Key, Machine 1/4" x 1-1/4" Sq Ends
18	1	T1103	Flex Coupling, PTO pumps
19	1	TS15	Tarp Strap, 15" Rubber
20	2	SSC38*12	Screw, Allen Set 3/8-16 x 1/2"

* Component parts breakdowns are available for these items.

+ Items are included as component parts of T1102.