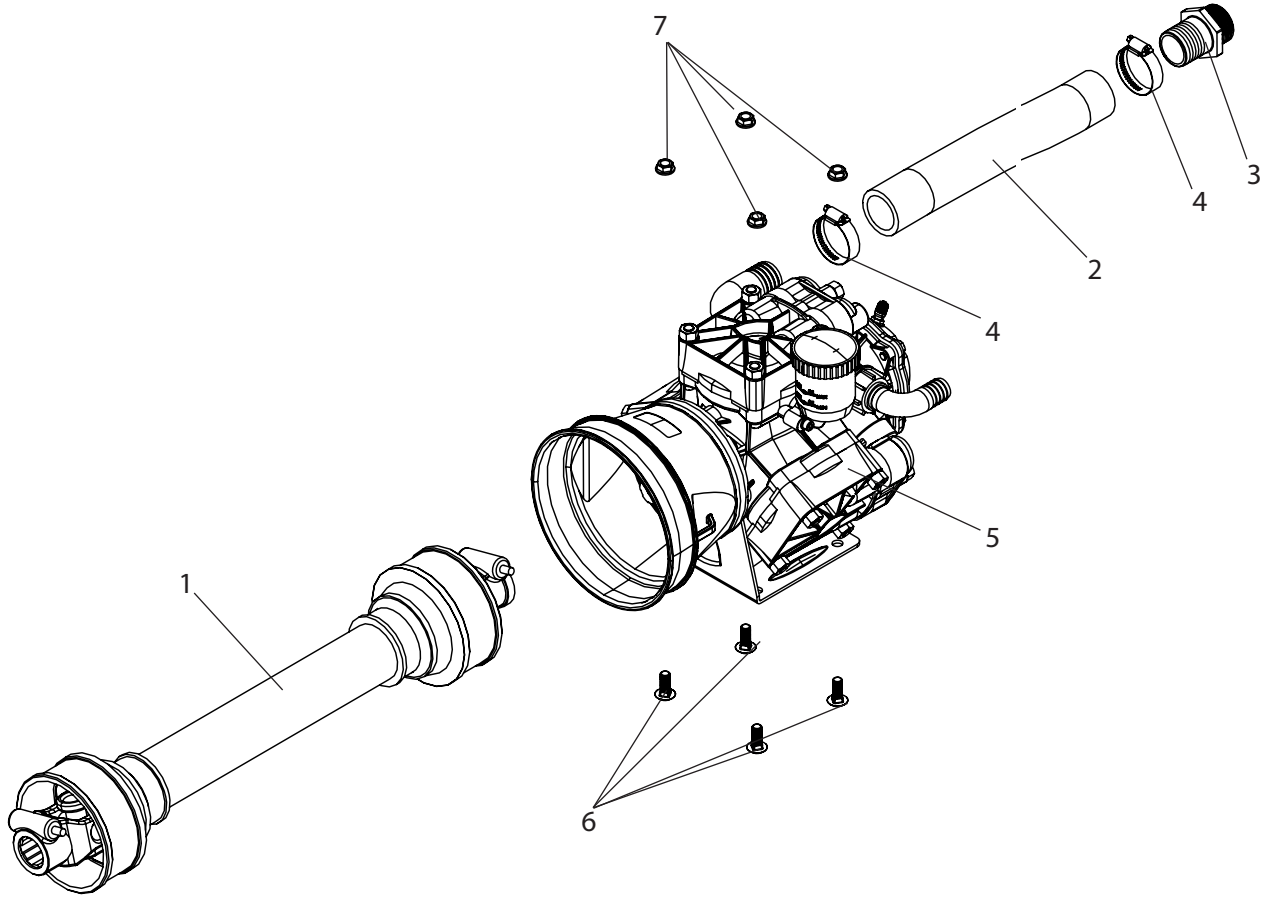


P510-D135 Breakdown

D135 Hypro (3) diaphragm pump



Ref#	Qty.	Part Number	Description
1	1	14006127	Driveline, (PTO Series 1) 540 x 540 27" Lg
2	4 FT	3112	Hose, Suction EPDM Blend 1-1/2" 60 PSI
3	1	3A114112	Adapter, Hose 1-1/4" MPT x 1-1/2" Barb
4	2	6824052	Hose Clamp, 1-1/16" - 2" SS
5	1	AR135BPC *	Pump, Diaphragm (3) 1-1/2" HB Inlet, 1" Hose Barb Outlet 33.8 GPM 290 PSI
6	4	CB38*1G5	Bolt, Carriage 3/8-16 x 1" Gr 5
7	4	FN38	Nut, Flange 3/8-16

*Has parts breakdown available.