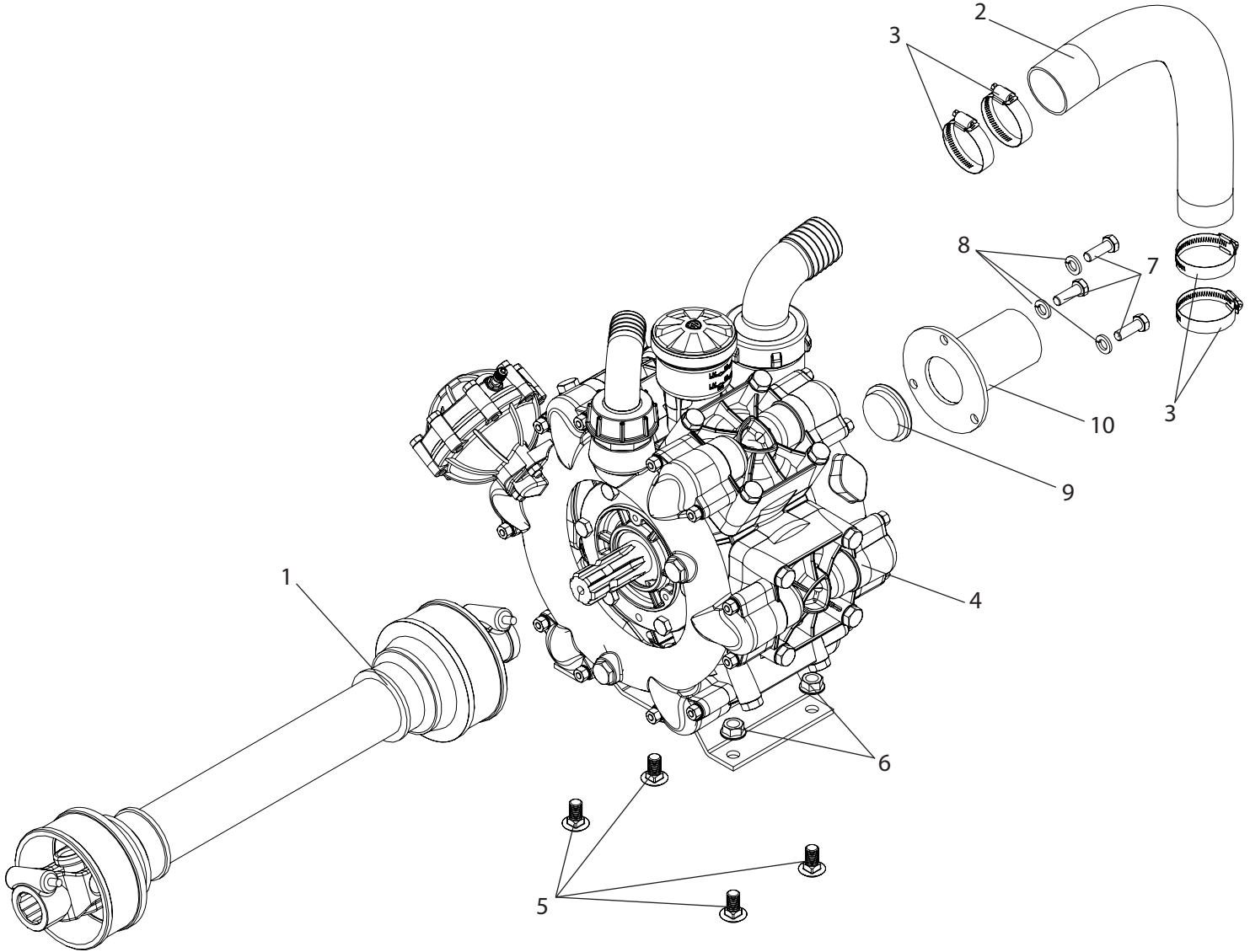


## P510-D250 Breakdown

### D250 Hydro (6) diaphragm pump



Ref#	Qty.	Part Number	Description
1	1	14006127	Driveline, (PTO Series 1) 540 x 540 27" Lg
2	4FT	3120	Hose, Suction 2" EPDM Blend 60 PSI
3	4	6832	Hose Clamp, 1-9/16" - 2-1/2" SS
4	1	9910D250 *	Pump, Diaphragm (6) 2" HB Inlet x 1-1/2" HB Outlet 66 GPM 290 PSI
5	4	CB12*1G5	Bolt, Carriage 1/2-13 x 1" Gr 5
6	4	FN12	Nut, Flange 1/2-13
7	3	H10*30M	Bolt, Hex 10mm x 30mm 1.50 pitch 10.9 Zinc
8	3	LW716	Washer, Lock 7/16"
9	1	RT191	Cap, Pipe Black Poly 2-3/8" OD Round
10	1	T567	PTO shaft cover for diaphragm pump

\* Has parts breakdown available.