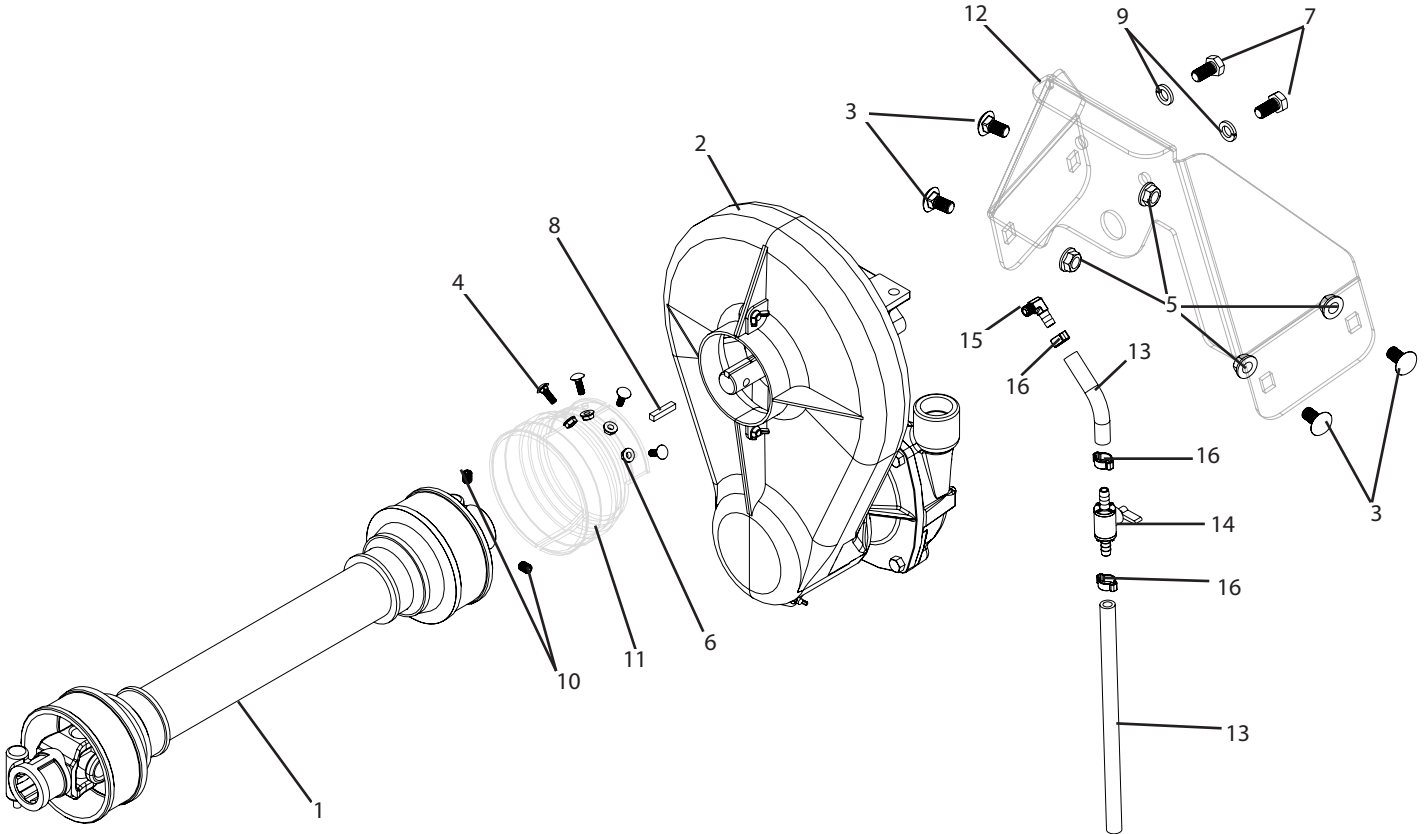


## P530-9402C540S Breakdown

### 9402C-B Hypro belt drive centrifugal



| Ref# | Qty. | Part Number | Description   |
|------|------|-------------|---|
| 1    | 1    | 14006126    | PTO Driveline #1, 540 x 1" round bore, 27" collapsed length           |
| 2    | 1    | 9402C540S * | Pump, Centrifugal Belt-Driven 1" Shaft 1-1/4" FPT Inlet 1" FPT Outlet |
| 3    | 4    | CB12*1G5    | Bolt, Carriage 1/2-13 x 1" Gr 5                                       |
| 4    | 4    | CB14*34     | Bolt, Carriage 1/4-20 x 3/4" Gr 2                                     |
| 5    | 4    | FN12        | Nut, Flange 1/2-13  |
| 6    | 4    | FN14        | Nut, Flange 1/4-20  |
| 7    | 2    | H5C12*1     | Bolt, Hex 1/2-13 x 1" Gr 5  |
| 8    | 1    | KEY14       | Key, Machine 1/4" x 1-1/4" Sq Ends                                    |
| 9    | 2    | LW12        | Washer, Lock 1/2"   |
| 10   | 2    | SSC38*12    | Screw, Allen Set 3/8-16 x 1/2"  |
| 11   | 1    | T1103       | Flex Coupling, PTO pumps  |
| 12   | 1    | T1213       | 500 Gallon Trailer, Pump Mount, Hypro Belt Drive                      |
| 13   | 1.25 | 1206        | Hose, EPDM Rubber 3/8" 200 PSI  |
| 14   | 1    | 9432        | Valve, Ball 3/8" Hose Barbs   |
| 15   | 1    | EL1838BR    | Adapter, Hose Ell 1/8" MPT x 3/8" HB Brass                            |
| 16   | 3    | W1518       | Clamp, Oetiker 5/8"   |

\*Component parts breakdowns are available for the indicated components.