

## SP-PR Breakdown

### Proximity wheel speed sensor

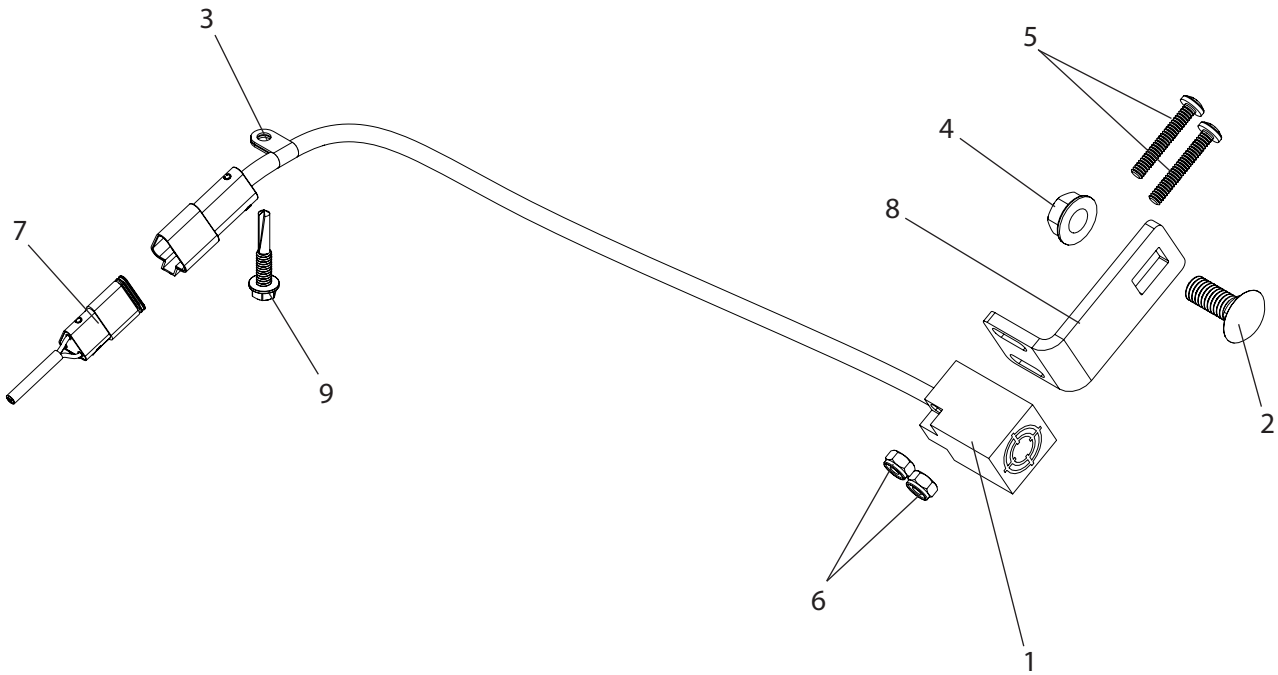


Image shown for 500, 750 and 1000 gallon trailer axles.

Ref#	Qty.	Part Number	Description
1	1	16-40004	Sensor, Proximity Speed
2	1	CB38*1G5 *	Bolt, Carriage 3/8-16 x 1" Gr 5
3	1	DC2404	Clamp, Loom 1/4" Nylon
4	1	FN38 *	Nut, Flange 3/8-16
5	2	MR1024*114S	Screw, Machine Rd Hd 10-24 x 1-1/4" SS
6	2	NNC1024S	Nut, Lock Nylon 10-24 SS
7	1	T423	CropCare speed sensor cable
8	1	T834	Proximity speed sensor mount
8	1	T449 *	Speed Sensor Mount, AXS-11L
8	1	T490 **	Speed Sensor Mount, AXS-95X20
9	1	TK12*114H5	Screw, Tek Hex Head 12-24 x 1-1/4"

\* Used on 200, 300, and 400 gallon trailers with 11L wheels and axle subassembly. CB38\*1G5 and FN38 use a quantity of 2 instead of 1.

\*\* Used on 200, 300, and 400 gallon trailers with 9.5in x 20in wheels and axles.