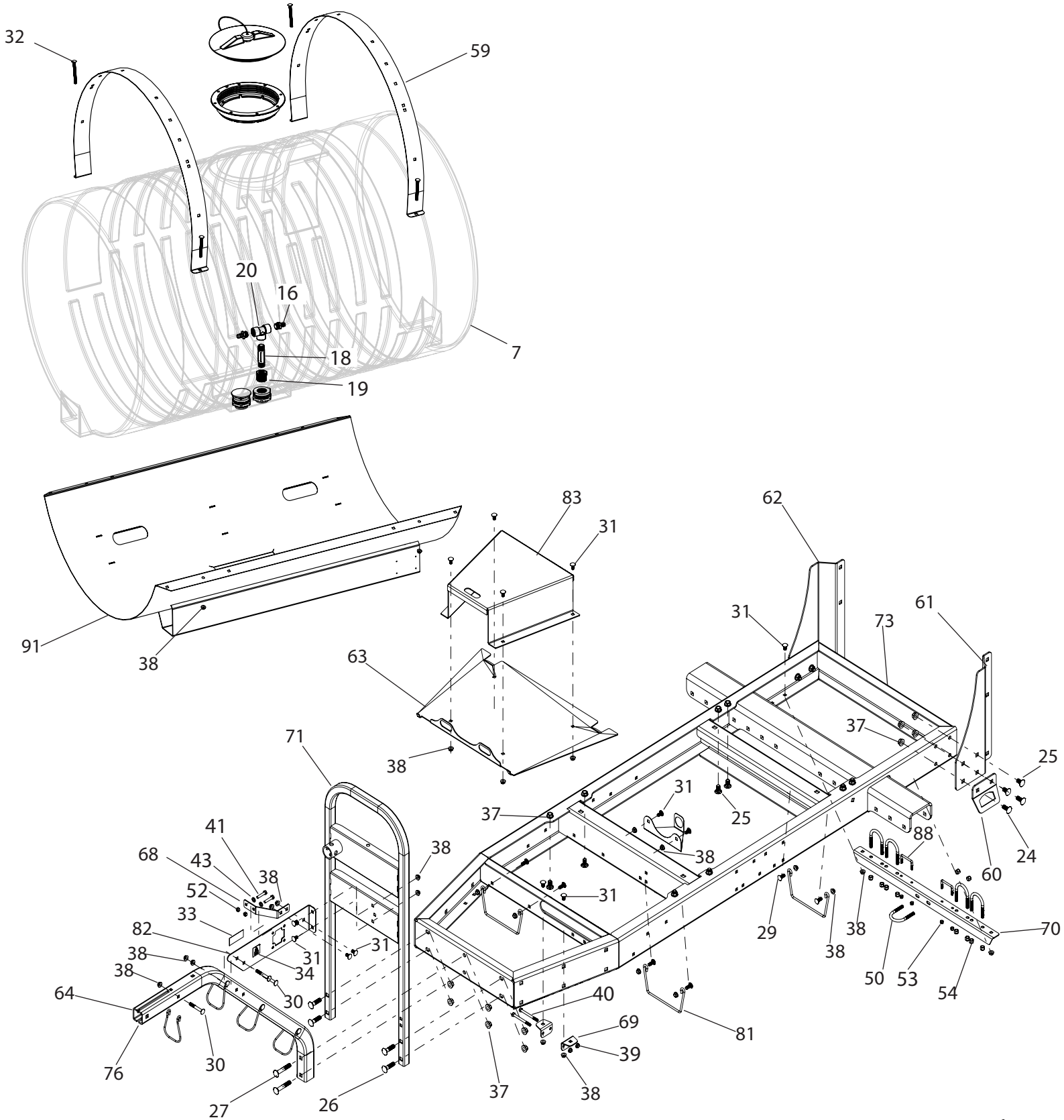
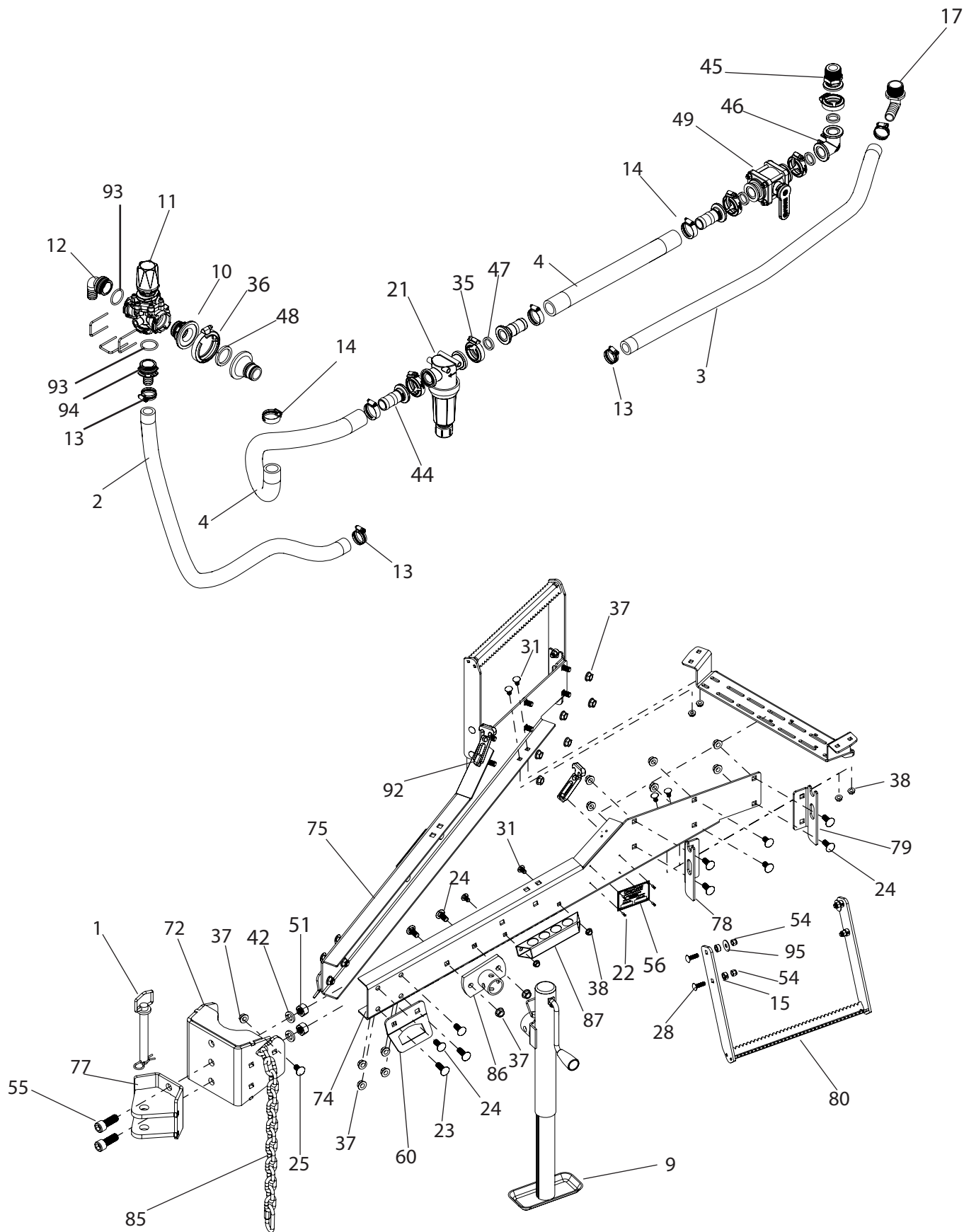


TR200H, TR305H, TR400H Breakdown



TR205H, TR305H, TR400H Breakdown



Parts List

Ref #	Qty.	Part Numbers	Description
1	1	01788	Pin, Hitch 7/8" x 6-1/4" High Stress
2	4 ft	1016	Hose, EPDM Rubber 1" 300 PSI
3	4 ft	1016	Hose, EPDM Rubber 1" 300 PSI
4	4 ft	3111	Hose, Suction EPDM Blend 1-1/4" 70 PSI
-	1	47321	*+ Tank, 300 Gallon w/ 2-1/2" Sump Yellow
-	1	47323	*+ Tank, 200 Gallon w/ 2-1/2" Sump Yellow
7	1	47332	Tank, 400 Gallon w/ 2-1/2" Sump Yellow
8	1	82614	Adapter, AS40 to 2" Flange Fitting
9	1	158109	Jack, 2000 Lb 10" Side Wind Weld-On Tube
10	1	279157	Connector, Male T5 QC to 2" Flange
11	1	475552	Valve, Pressure Relief T5 QC, 290 psi
12	1	1191525	T5 Male QC to 90 deg 1" HB
13	4	6816052	Hose Clamp, 13/16" - 1-1/2" SS
14	4	6820052	Hose Clamp, 13/16" - 1-3/4" SS
15	8	0375P	Shaft Collar, 3/8"
16	2	3A3458	Adapter, Hose 3/4" MPT x 5/8" Barb
17	1	3EL114100	Hose adapter, 90°, 1 1/4" MPT x 1" barb
18	1	8M34*4	Nipple, 3/4" MPT x 4" Sch 80 Poly
19	1	8RB11434	Bushing, Reducer 1-1/4" MPT x 3/4" FPT Sch 80 Poly
20	1	8TT34	Tee, Poly 3/4" FPT Sch 80
21	1	AA126ML-F50-50 +	Strainer, Line 1" Flange 50 Mesh Screen Flush Out
22	4	BTT44	Rivet, Pop 1/8" Dia. x .188" x .250" Grip SS
23	4	CB12*112G5	Bolt, Carriage 1/2-13 x 1-1/2" Gr 5
24	18	CB12*114G5	Bolt, Carriage 1/2-13 x 1-1/4" Gr 5
25	17	CB12*1G5	Bolt, Carriage 1/2-13 x 1" Gr 5
26	4	CB12*2G5	Bolt, Carriage 1/2-13 x 2" Gr 5
27	2	CB12*3G5	Bolt, Carriage 1/2-13 x 3" Gr 5
28	8	CB38*114G5	Bolt, Carriage 3/8-16 x 1-1/4" Gr 5
29	6	CB38*1G5	Bolt, Carriage 3/8-16 x 1" Gr 5
30	6	CB38*234G5	Bolt, Carriage 3/8-16 x 2-3/4" Gr 5
31	22	CB38*34G5	Bolt, Carriage 3/8-16 x 1-1/4" Gr 5
32	4	CB38*4G5 **	Bolt, Carriage 3/8-16 x 4" Gr 5
33	1	DE105	Decal, Max Operating Pressure
34	1	DE115	Decal, Read owners manual label
35	5	FC100	Clamp, Flange 1" Std SS
36	1	FC200	Clamp, Flange 2" Std SS
37	45	FN12	Nut, Flange 1/2-13
38	38	FN38	Nut, Flange 3/8-16
39	2	FN516	Nut, Flange 5/16-18
40	2	H5C516*312	Bolt, Hex 5/16-18 x 3-1/2" Gr 5
41	2	H8*16M	Bolt, Hex Metric 8mm x 16mm 1.25 Pitch Class 10.9 Zinc
42	2	LW34G8	Washer, Lock 3/4" Gr 8

Parts List Continued

Ref #	Qty.	Part Numbers	Description
43	2	LW38	Washer, Lock 3/8"
44	3	M100125BRB	Flange, 1-1/4" Hose Barb x 1" Flange
45	1	M100125MPT	Flange, 1-1/4" MPT x 1" Flange
46	1	M100CPG90	Coupling, 90° 1" Flange x 1" Flange
47	5	M100G	Gasket, Manifold EDPM 1"
48	1	M201G	Gasket, Manifold EPDM 2" w/Rib
49	1	MV100CF	Valve, Ball 1" Flange x 1" Flange
50	5	N222190	Bolt, U-Bolt Round 3/8-16 x 2"x 3-1/2" Zinc
51	2	NC34G8	Nut, Hex 3/4-10 Gr 8
52	2	NC8M	Nut, Hex 8mm x 1.25 Pitch
53	4	NNC14	Nut, Lock Nylon 1/4-20
54	18	NNC38	Nut, Lock Nylon 3/8-16
55	2	SCC34*2	Screw, Socket Head Cap 3/4-10 x 2"
56	1	SP500	Plate, Serial Number
-	2	SS32	* Tank Strap, 200 gallon, gray
-	2	SS38	* Tank strap, 300 gallon, gray
59	2	SS42	Tank strap, 400 gallon, gray
60	4	T402	Tie down strap plate
61	1	T450	Boom Mount Plate, Left
62	1	T451	Boom Mount Plate, Right
63	1	T452	Platform Cover
64	1	T454	Control Post Mount, Hose Guide
65	1	T458	Max Pressure Relief Mount
66	1	T459	* Agitation and Max Pressure Mount
67	1	T460	* Control Mount Brace
68	1	T461	Control/Hose Mount
69	2	T463	Filter mount
70	1	T465	Rear Hose Routing Mount
71	1	T468A	Handrail weldment
72	1	T469	Hitch weldment
73	1	T470	Main Frame
74	1	T471	Frame Rail, Left, Small Trailer (TR400)
75	1	T472	Frame Rail, Right, Small Trailer (TR400)
76	4	T476	Control Post Hose Guide
77	1	T477	Hitch Weldment
78	2	T481	Step Bracket, Left
79	2	T482	Step Bracket, Right
80	2	T483	Step Weldment
81	3	T486	Hose guide, Small Trailer
82	1	T488	5-Way Mount Plate, High Pressure
83	1	T496	Small Trailer, Platform Step
85	1	T499	Safety chain, 5/16", For small trailer (TR400)

Parts List Continued

Ref #	Qty.	Part Numbers	Description
86	1	T810	Jack stub
87	2	T814	Hydraulic coupler organizer
88	2	T816	Bolt, U-Bolt Square 1/4-20 x 2" x 1-1/2" Zinc hyd hose holder
-	1	TS3260P	* Tank saddle, 200 gallon, gray
-	1	TS3860P	* Tank saddle, 300 gallon, gray
91	1	TS4260P	Saddle, 400 gallon, 42" diameter
92	2	WJ215	Latch, Rubber Draw w/Screws
93	2	G11063	O-Ring, EDPM T5 Quick Connect
94	1	1091525	Adapter, Hose T5 Male QC to 1" HB
95	4	FDW38*114	Washer, Fender 3/8" ID x 1-1/4" OD

* Parts used in different sprayer configurations

** Use CB38*234G5 (Bolt, Carriage 3/8-16 x 2-3/4" Gr 5) on 200 gallon trailers, and CB38*412G5 (Bolt, Carriage 3/8-16 x 4 1/2" Gr 5)

+ Component parts breakdowns are available for these parts.