

CROPCARE

Equipment Built For You

PaulB LLC | 50 Woodcorner Rd | Lititz PA 17543 | (717) 738-7350
www.CropCareEquipment.com

Model # TR750

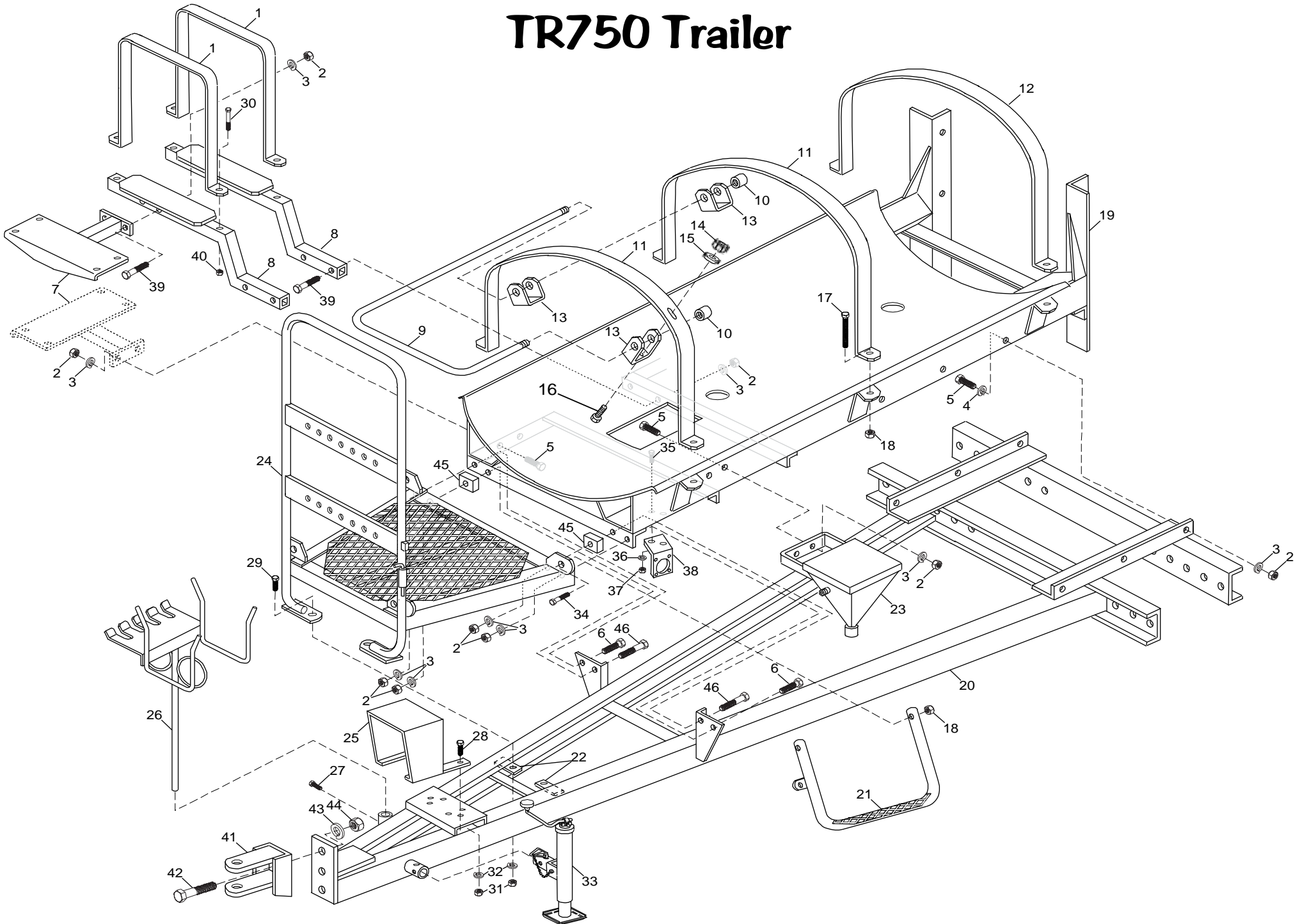
750 gallon Trailer Breakdown

TR750 Trailer Parts

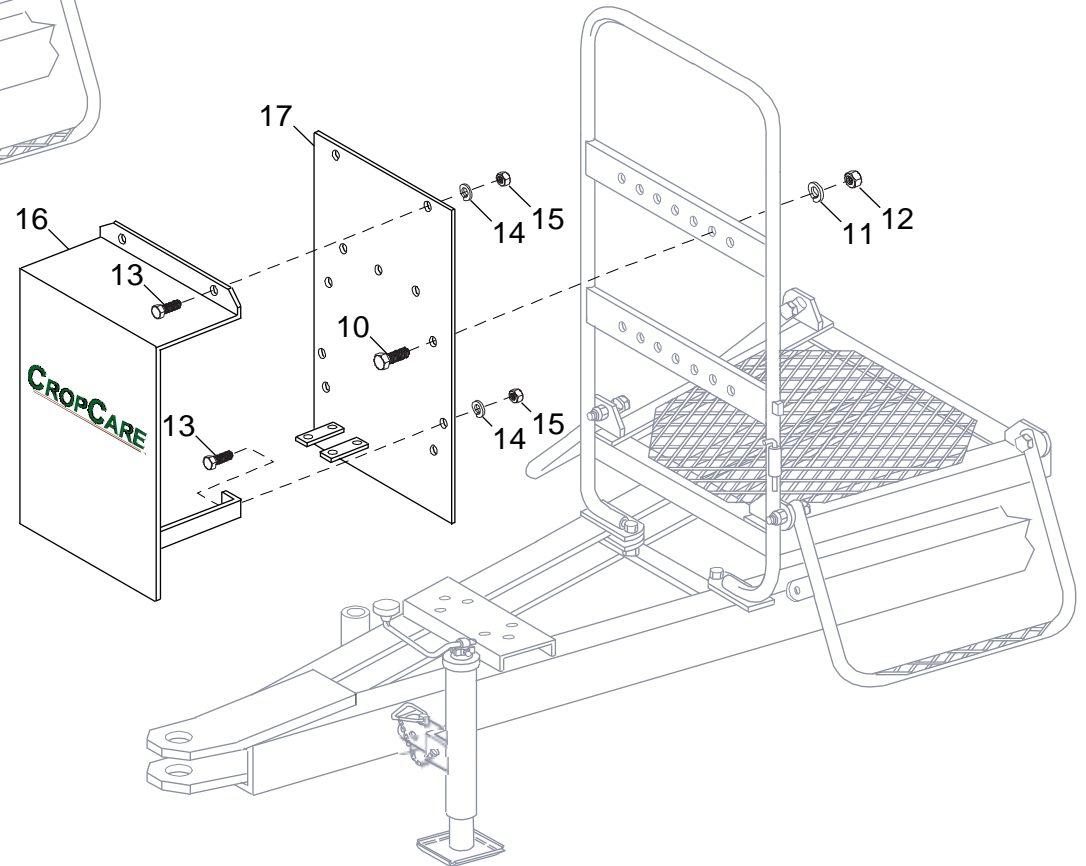
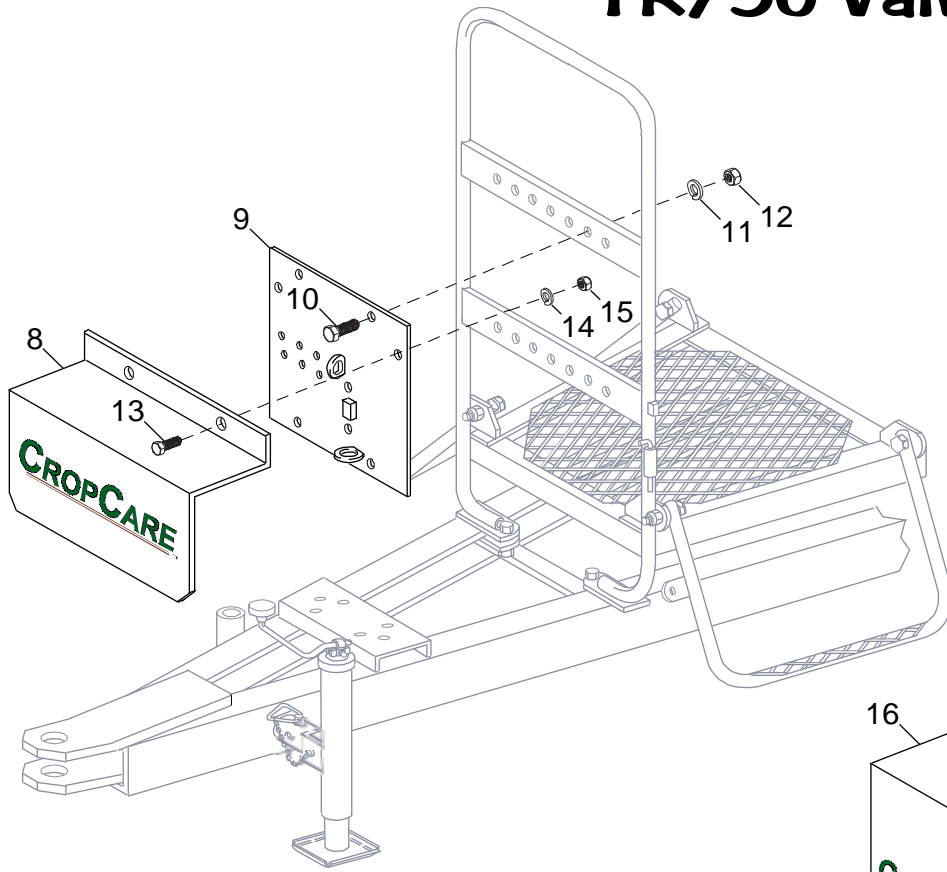
Ref#	Qty	Part#	Description
1	2	SS54	Tank strap
2	18	NC12	1/2" nut
3	18	LW12	1/2" lock washer
4	6	FW12	1/2" flat washer
5	8	H5C12*114	1/2" x 1-1/4" bolt
6	2	H5C12*112	1/2" x 1-1/2" bolt
7	1	T240	Tool box bracket
8	1 PR	TANKMOUNT50	Rinse tank mounting 50 gal.
9	1	T75011	Hand rail
10	2	CA12G	1/2" npt cap
11	2	SS96H	Tank strap w/ holes for railing mounts
12	1	SS96	Tank strap
13	3	T5012	Hand rail bracket
14	3	NC516	5/16" nut
15	3	FW516	5/16" flat washer
16	3	CB516*34	5/16" x 3/4" carriage bolt
17	6	HTB38*4S	3/8" x 4" tap bolt stainless
18	10	NNC38S	3/8" lock nut stainless
19	1	T750S	Tank saddle
20	1	T750	Trailer hitch
21	1	TR510L	Left step
21	1	TR510R	Right step
22	2	T510PC	Platform clip

Ref#	Qty	Part#	Description
23	1	T239	Induction tank Stainless
24	1	T510P	Platform & hand rail
25	1	PTOSHLD	PTO sheild
26	1	T510H	Hydraulic hose & wire holder
27	1	SHS516*34	Sq. head setscrew 5/16" x 3/4"
28	2	H5C38*1	3/8" x 1" bolt
29	2	H5C38*112	3/8" x 1-1/2" bolt
30	4	HTB516*4	5/16" x 4" tap bolt
31	4	NC38	3/8" nut
32	4	LW38	3/8" lock washer
33	1	158109	Hitch jack
34	4	H5C38*214	3/8" x 2-1/4" bolt
35	2	H5C516*1	5/16" x 1" bolt
36	2	LW516	5/16" lock washer
37	2	NC516	5/16" nut
38	1	VMT	Ball valve bracket
39	4	H5C12*3	1/2" x 3" bolt
40	4	NNC516	5/16" Lock nut
41	1	T5102	Hitch clevis
42	2	H8F34*2	3/4" x 2" fine thread bolt
43	2	LW34	3/4" lock washer
44	2	NF34	3/4" fine thread nut
45	2	T7503	Platform spacer

TR750 Trailer

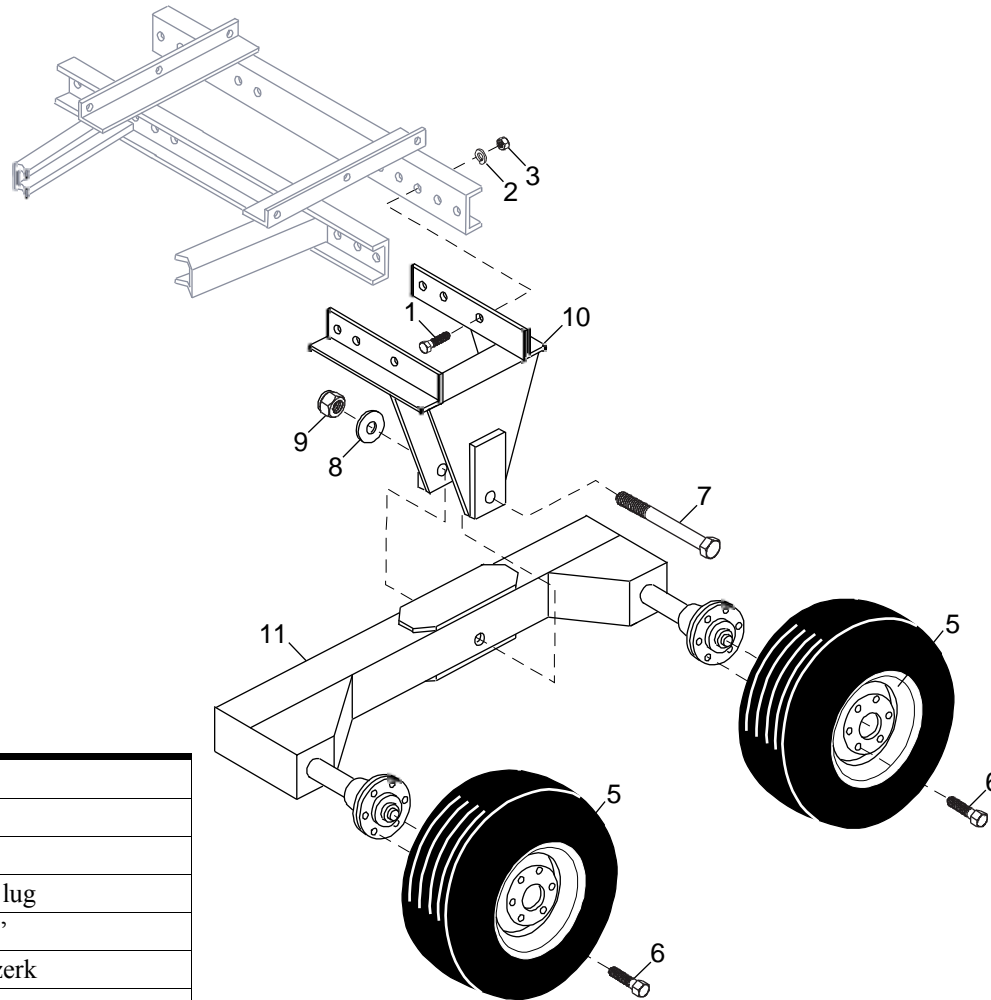


TR750 Valve Mountings



Ref#	Qty	Part#	Description
8	1	144AC	Valve cover (solenoid valves)
9	1	144ATM	Valve mounting (solenoid valves)
10	4	H5C38*34	3/8" x 3/4" bolt
11	4	LW38	3/8" lock washer
12	4	NC38	3/8" nut
13	4	H5C516*34	5/16" x 3/4" bolt
14	4	LW516	5/16" lock washer
15	4	NC516	5/16" nut
16	1	443C	Valve cover (ball valves)
17	1	443MOUNT	Valve mounting (ball valves)

TR750 Axle



Ref#	Qty	Part#	Description
1	12	H5C12*112	1/2" x 1-1/2" bolt
2	12	LW12	1/2" lock washer
3	12	NC12	1/2" nut
5		R1015	Rim 15" x 10" wide, 6 lug
6		54000918	Lug bolt 9/16" x 1-1/8"
7	2	F347	Tandem pivot bolt w/ zerk
8	2	FW114	1-1/4" flat washer
9	2	NNC114	1-1/4" lock nut
10	1	T218L	Left tandem support frame
	1	T218R	Right tandem support frame (**)
11	1	T219L	Left tandem beam
	1	T219R	Right tandem beam (**)
	4	150125100	Bushing, 1-1/2" x 1-1/4" x 1" long (**)
	4	150125200	Bushing, 1-1/2" x 1-1/4" x 2" long (**)

(**) Not Shown