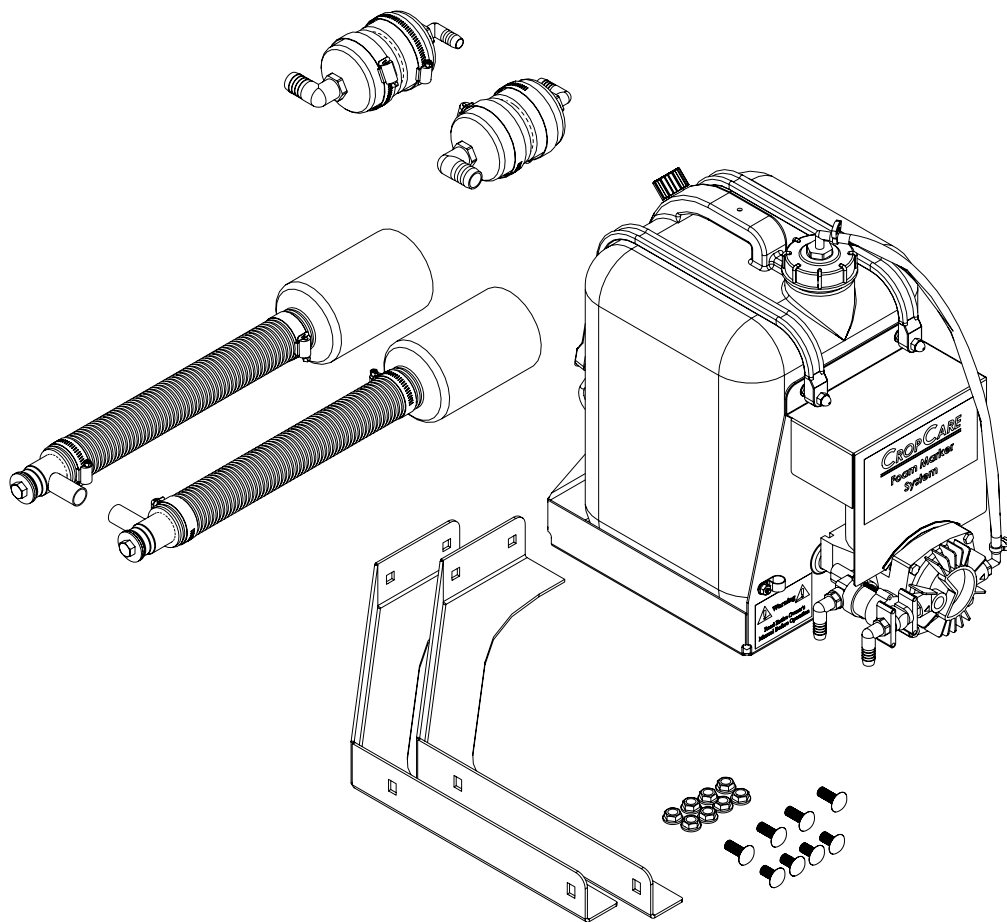


Assembly Instruction Manual

Kit: 5 gallon foam marker, 200, 300, and 400 gallon trailers
Model: A256K



Manufactured by PBZ LLC
A Paul B Zimmerman Inc. Company
www.CropCareEquipment.com

A256K Assembly Instructions

Subject

The purpose of this document is to show the procedure for installing the foam marker kit onto a sprayer.

Installation Time:

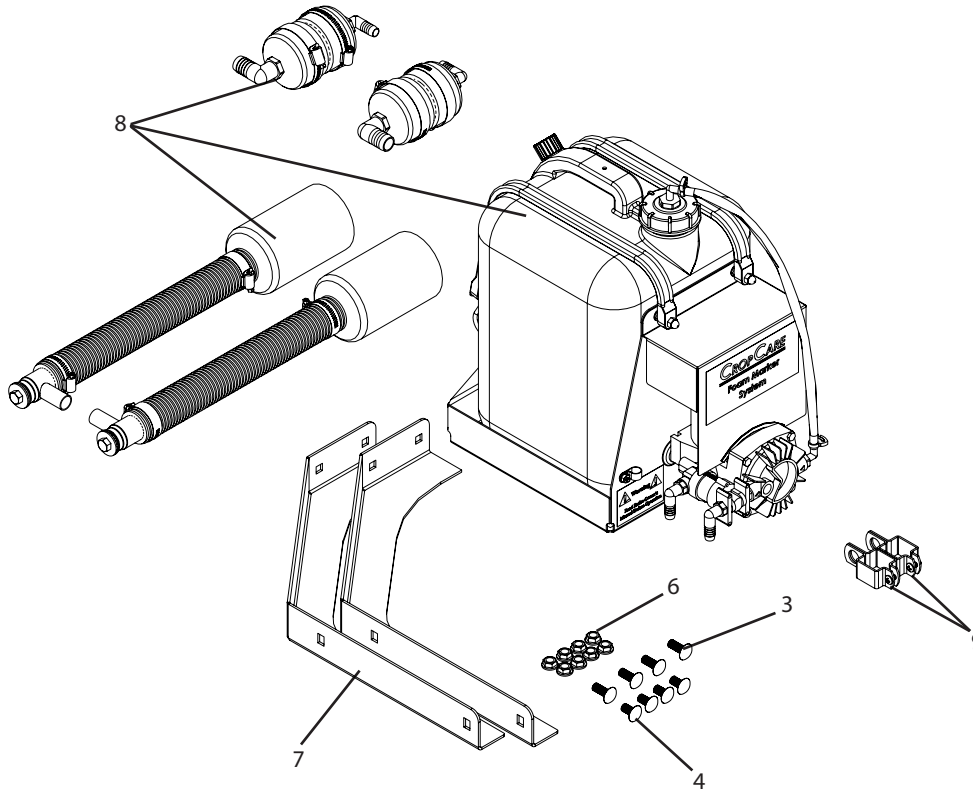
- Approximately 4 hours

Recommended Tools

- 9/16" socket or wrench
- 1/4" socket
- Adjustable wrench or pliers
- Hose cutter or knife to cut hoses to length

A256K Assembly Instructions

A256K Kit Contents



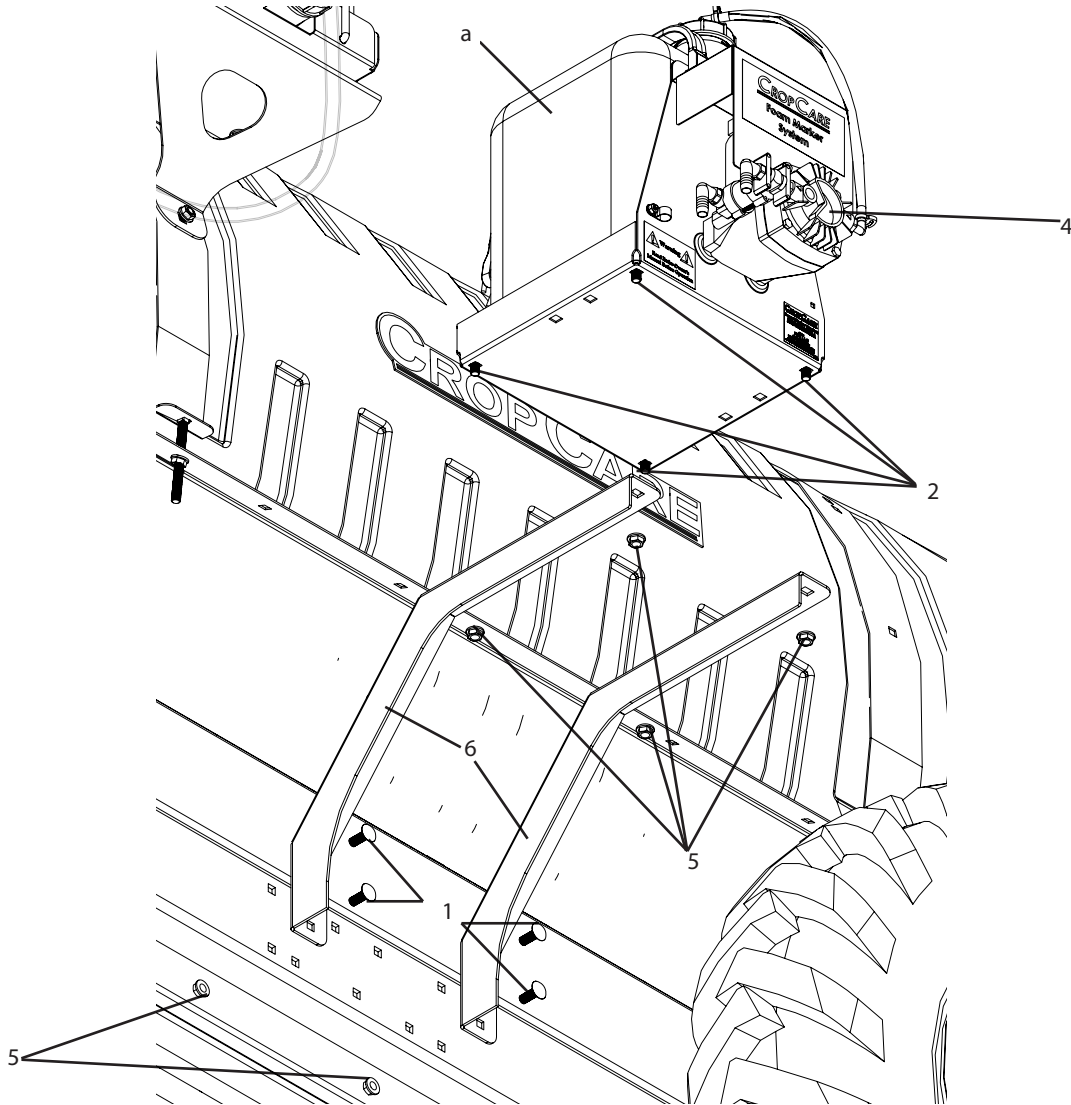
Ref#	Qty.	Part Number	Description
1	1	A256KAM	Assembly manual, foam marker kit for 200-400 gallon trailers
2	1	A256KBL	Label, Box, Kit: foam marker, 200, 300, 400 gallon trailers
3	4	CB38*1G5	Bolt, Carriage 3/8-16 x 1" Gr 5
4	4	CB38*34G5	Bolt, Carriage 3/8-16 x 3/4" Gr 5
5	15	DC784	Loom, Flex-Gard 3/8"
6	8	FN38	Nut, Flange 3/8-16
7	2	T478	Foam Injector/Marker bracket
8	1	F1500A *	Foam Marker, System 5 Gal CropCare
9	2	AA111SQ114	Clamp, Square Assembly Boom 1-1/4" Tube

* See owner's manual for parts breakdowns.

A256K Assembly Instructions

Step 1

- Unstrap the foam concentrate tank (a) to access the holes in the pan for mounting to the brackets (Item 6).
- Bolt on the mounting brackets to the side of the sprayer (Using Item 1 and 5).
- Bolt the foam injector (Item 4) to the brackets (Item 6) using bolts (Item 2) and nuts (Item 5).
- Strap the tank (a) back into place.
- Install wire loom (DC784) onto wiring harness.
- Route wiring harness to the main harness and follow it to the front of the sprayer, see owner's manual included in the F1500A for wiring details.

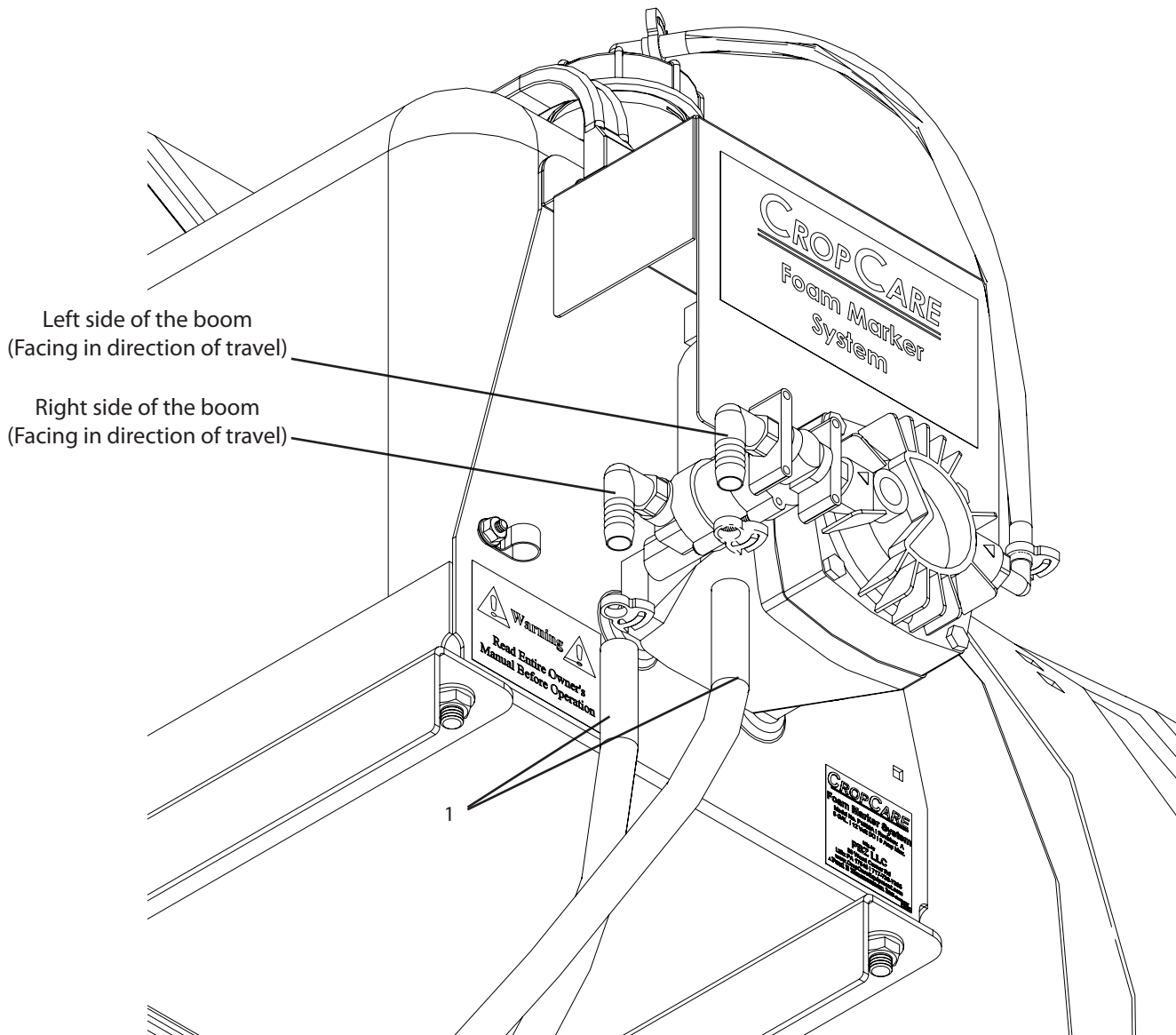


Ref#	Qty.	Part Number	Description
1	4	CB38*1G5	Bolt, Carriage 3/8-16 x 1" Gr 5
2	4	CB38*34G5	Bolt, Carriage 3/8-16 x 3/4" Gr 5
3	15 FT	DC784	Loom, Flex-Gard 3/8"
4	1	F1500A	Foam Marker, Injection System 2.5 Gallon Capacity
5	8	FN38	Nut, Flange 3/8-16
6	2	T478	Foam Injector/Marker bracket

A256K Assembly Instructions

Step 2

- Connect hoses (Item 1) to the foam marker.
- Make sure that lines are routed properly to the correct sides, provide slack at the boom center frame for adjustments in height.



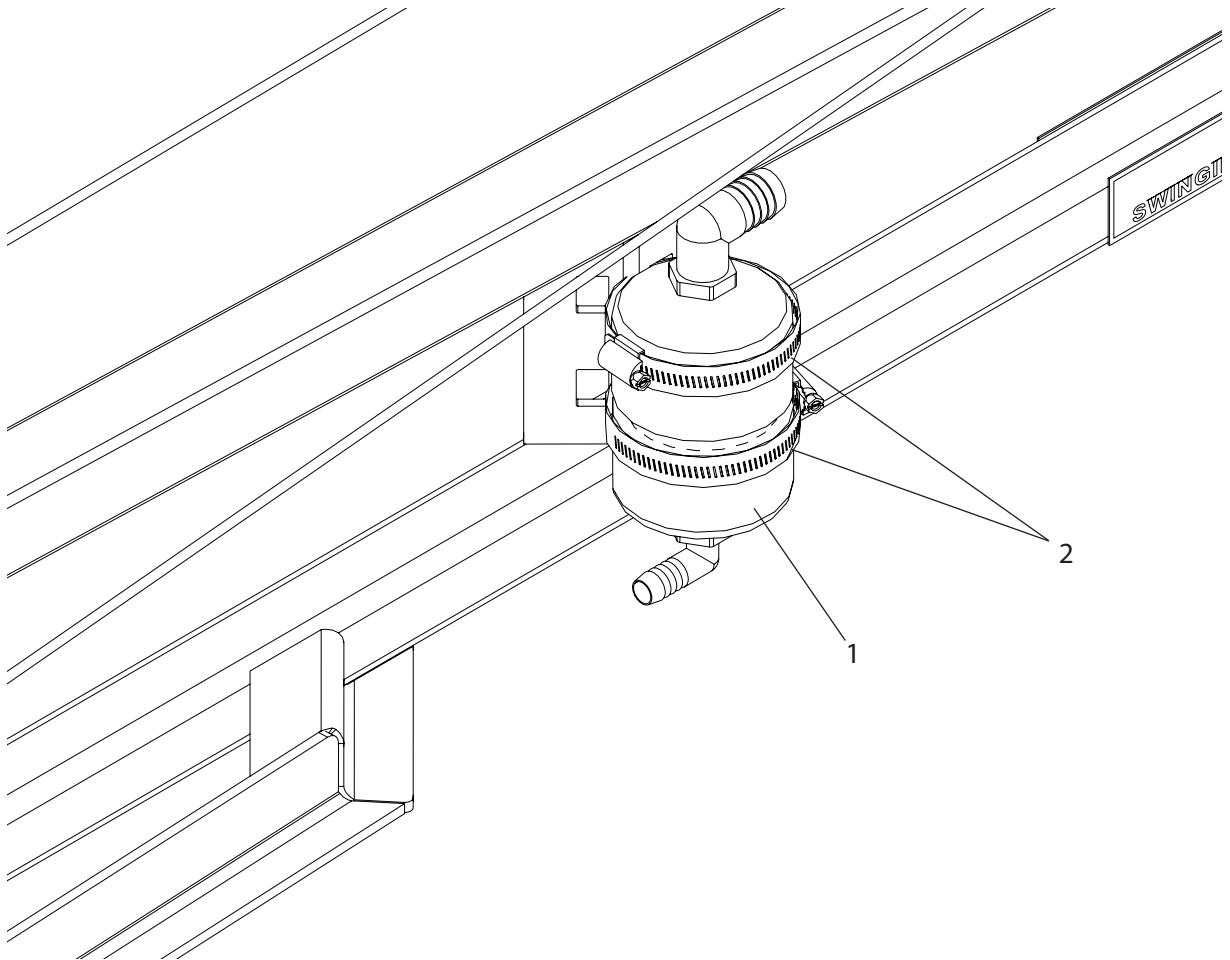
Ref#	Part Number	Description
1	1925 *	Tubing, poly, 1/4" OD Natural

*Parts are in F1500A.

A256K Assembly Instructions

Step 3

- Install the mixing chamber (Item 1) to the outer wing on the boom, secure with hose clamps (Item 2)



Ref#	Qty.	Part Number	Description
1	2	F1504A*	Mixing chamber, F1500A, F1200A
2	4	6864052*	Hose Clamp, 2-1/2" - 4-1/2" SS

*Parts are in F1500A.

A256K Assembly Instructions

Step 4

- Install the foam marker drop tubes (Item 2) onto the wings using the hose clamps (Item 1) provided.

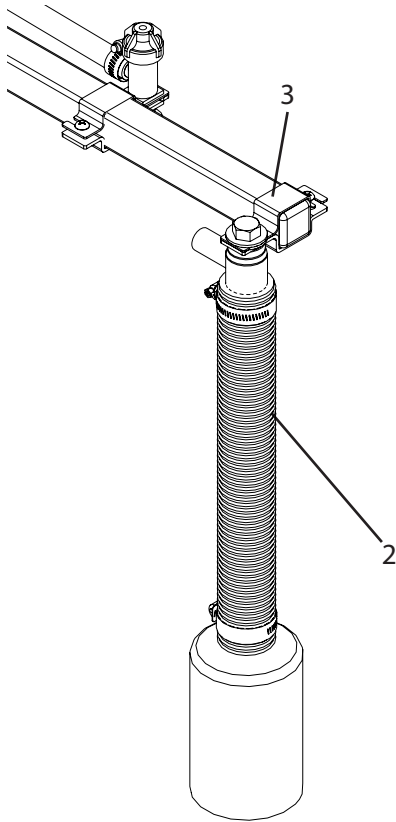


Figure 1: Steel Outer Wing

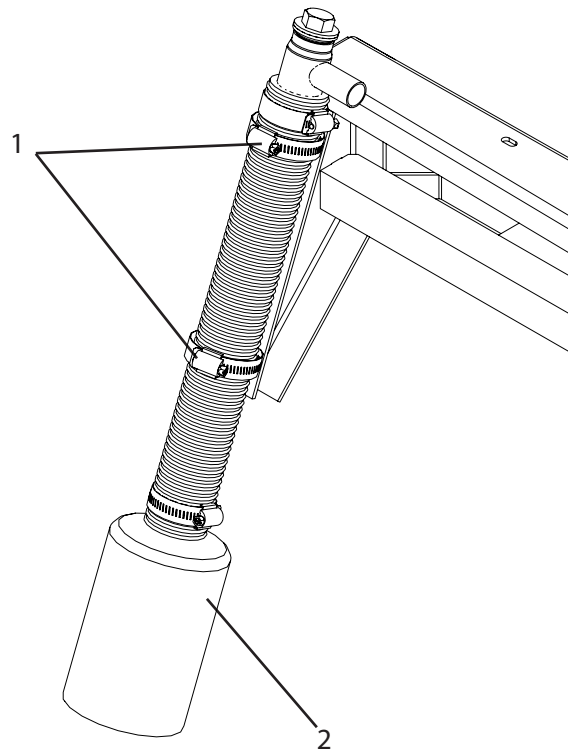


Figure 2: Aluminum Outer Wing

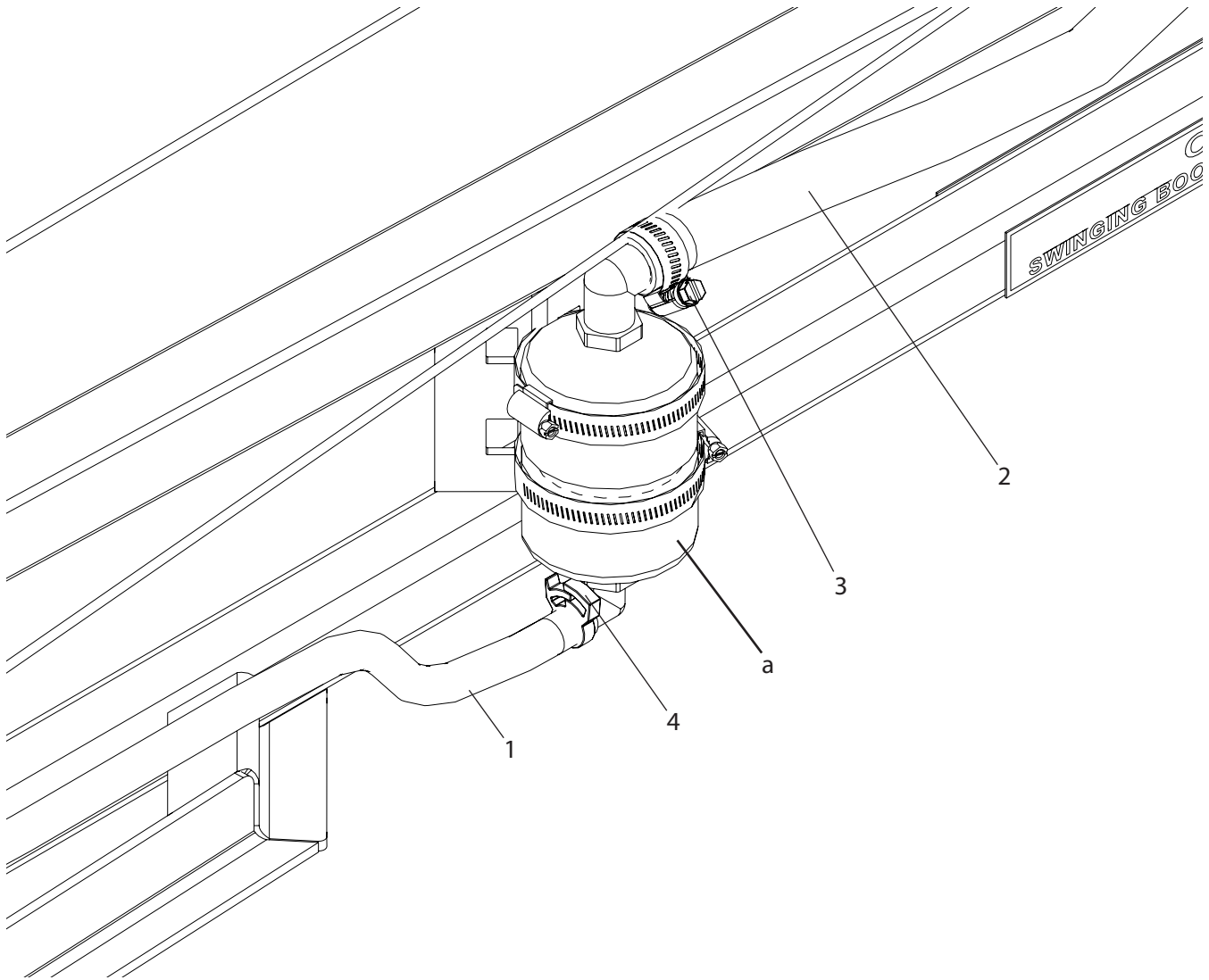
Ref#	Qty.	Part Number	Description
1	2	6828 *	Hose Clamp, 1-1/4" - 2 1/4" SS
2	2	F510A *	Drop Tube, Foamer 3/4" Hose Barb
3	2	AA111SQ114	Clamp, Square Assembly Boom 1-1/4" Tube

*Parts are in F1500A.

A256K Assembly Instructions

Step 5

- Route hoses (Item 1) to the mixing chambers (a). Secure with hose clamp (Item 4).
- Install the hose (Item 2) and hose clamp (Item 3) onto the mixing chamber and route the hose to the drop tube.



Ref#	Qty.	Part Number	Description
1	-	1971*	Tubing, Vinyl 1/2" ID x 5/8" OD 30 PSI
2	-	3003*	Hose, Suction 3/4" Clear PVC 100 PSI
3	2	6810052*	Hose Clamp, 9/16" - 1-1/16" SS
4	2	HC067*	Clamp, Snap Grip 0.59" - 0.67" Size F

*Parts are in F1500A.

A256K Assembly Instructions

Step 6

- Route hoses (Item 1) to the drop tubes (a) and install the hose clamp (Item 2).

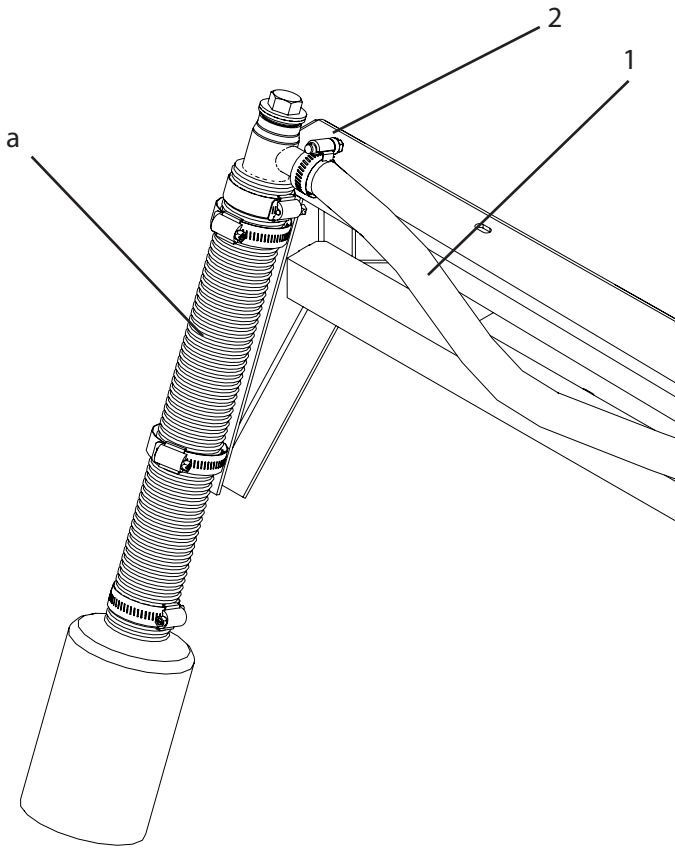


Figure 1: Aluminum Outer Wing

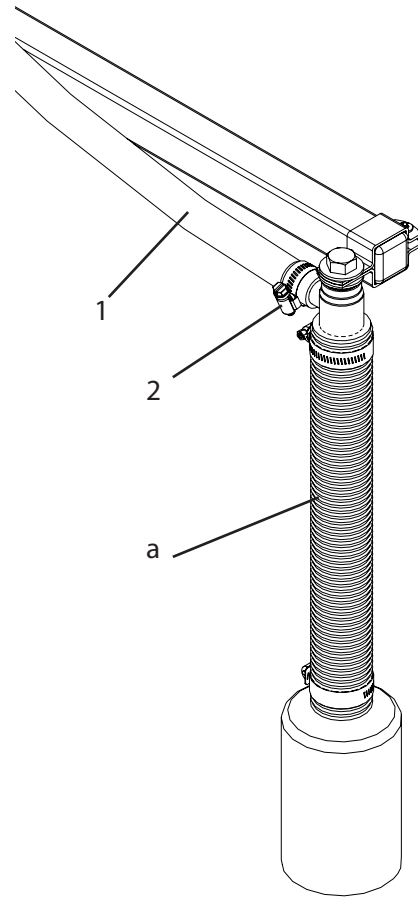


Figure 2: Steel Outer Wing

Ref#	Qty.	Part Number	Description
1	-	3003*	Hose, Suction 3/4" Clear PVC 100 PSI
2	2	6810052*	Hose Clamp, 9/16" - 1-1/16" SS

*Parts are in F1500A.