



Assembly Instruction Manual

Kit: Electric boom lap nozzle, wet line boom plumbing
Model: A312K-W

Manufactured by PBZ LLC
A Paul B Zimmerman Inc. Company
www.CropCareEquipment.com

Form: A312K-WAM_REV-A

A312K-W Assembly Instructions

Subject

The purpose of this document is to show the procedure for installing the kit for the electric lap nozzle onto a sprayer with wet line boom plumbing.

Installation Time:

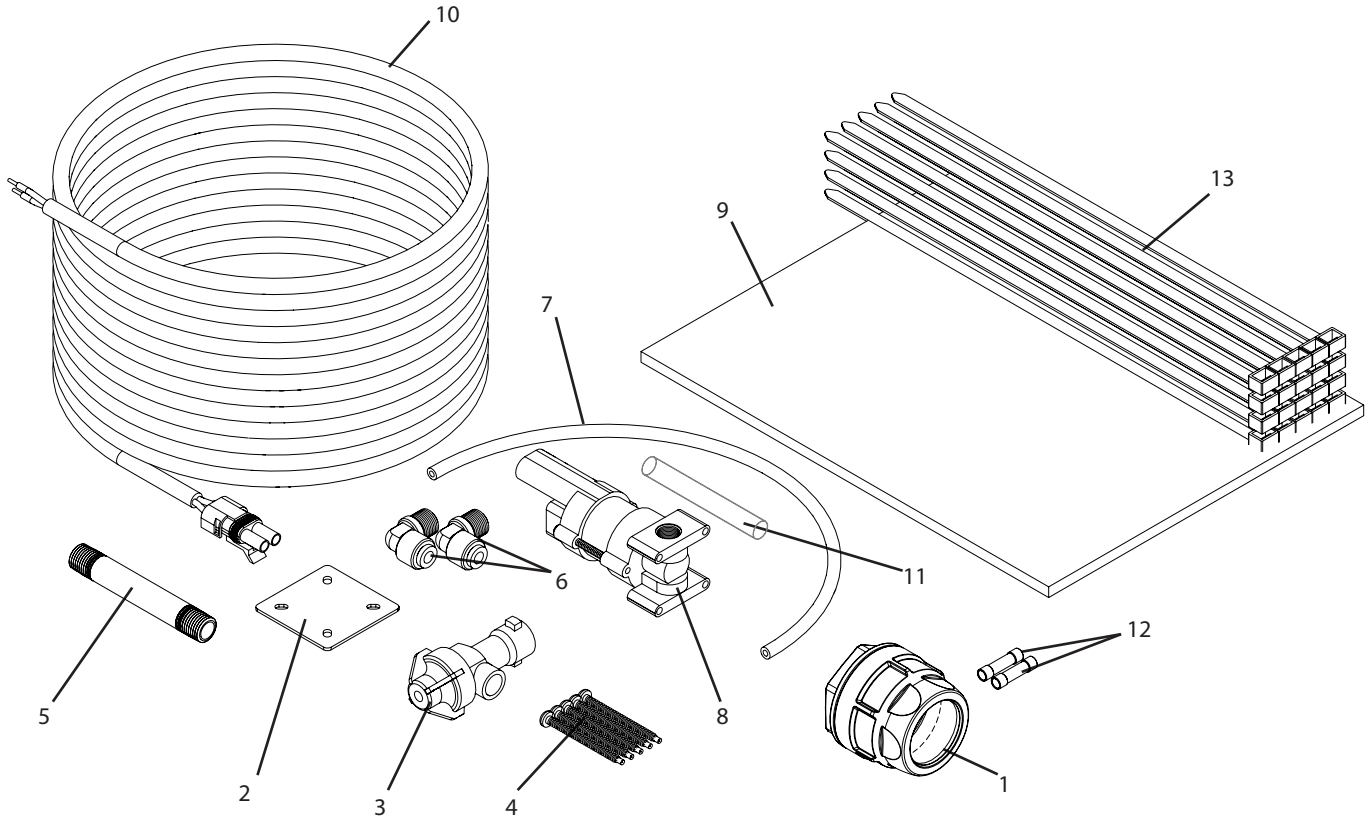
- Approximately 2 hours

Recommended Tools

- Wire crimp
- Wire stripper
- Flat head screw driver or 1/4" socket
- Phillip's head screw driver
- Adjustable wrench or pliers
- Pipe sealant
- Thread tape
- Hose cutter or knife to cut hoses to length

A312K-W Assembly Instructions

A312K-W Kit Contents

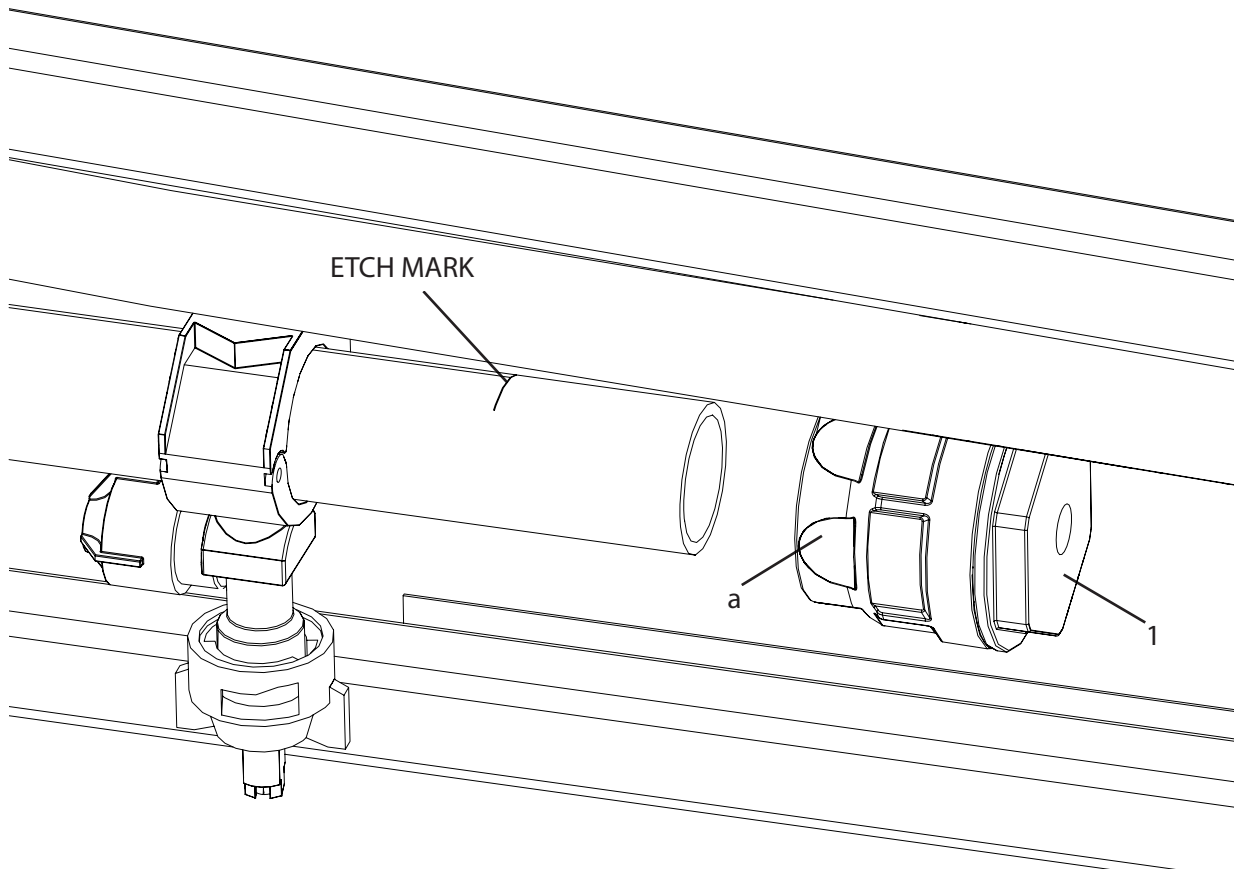


Ref#	Qty.	Part Number	Description
1	1	T888	Wet line fitting, cap with threaded port
2	1	T491	Remcor Solenoid Mount Plate
3	1	QJ8355-14-NYB	Body, QJ 90° To 1/4" FPT w/No-Drip
4	4	PT8*2S	Screw, Pan Head Tap #8 x 2" SS Phillips Drive
5	1	N14*312S	Nipple, 304 SS Pipe 1/4" MPT x 3-1/2"
6	2	A4ME4	Adapter, TrueSeal Fitting 90° 1/4" Tube
7	1 FT	5156N	Tubing, Nylon 1/4" OD Black
8	1	2201A-WP	Solenoid, 1/4" FPT, 1gpm, 125psi, 12V, 1.1A
9	1	A312K-WAM	Manual, assembly, lap nozzle accessory kit
10	1	T1101	Wire harness, lap nozzle accessory kit
11	1	HST38*3	Heat shrink tubing, 3/8" x 3" long
12	2	506346	Connector, Wire Butt Terminal 16-14 Ga Insulated
13	20	1175UV	Cable Tie, 11" 75 lb UV Black

A312K-W Assembly Instructions

Step 1

- Remove the end cap from the wet line plumbing.
- Then in order to install the end cap with the threaded port for the lap nozzle, unthread the front portion (a) of the cap so that the cap can slide onto the pipe easily.
- Line up the end of the cap with the etch mark and tighten.

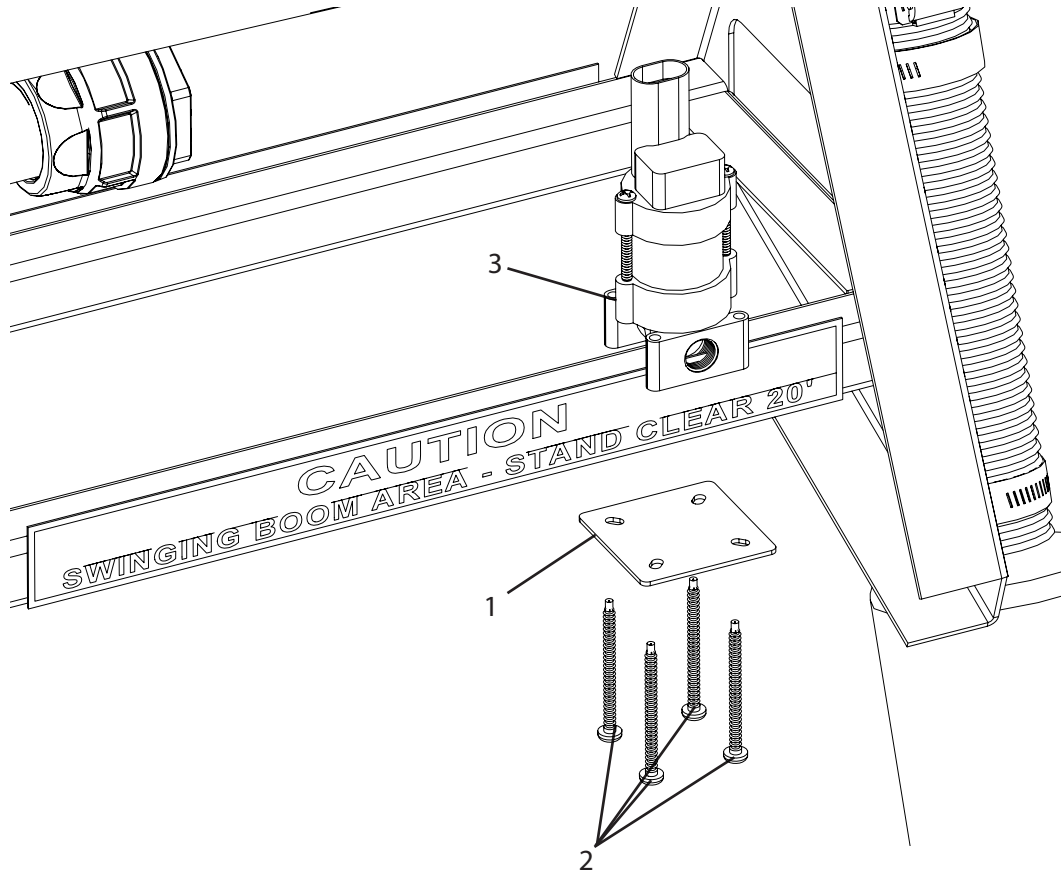


Ref#	Qty.	Part Number	Description
1	1	T888	Wet line fitting, cap with threaded port

A312K-W Assembly Instructions

Step 2

- Mount the solenoid valve onto the boom wing.
- Lap nozzle can be installed on the left or right side.
- Lap nozzle spacing from the last nozzle is half of the distance of the rest of the nozzle spacing.
- Example: 20" spacing = 10" lap nozzle distance from the last nozzle.

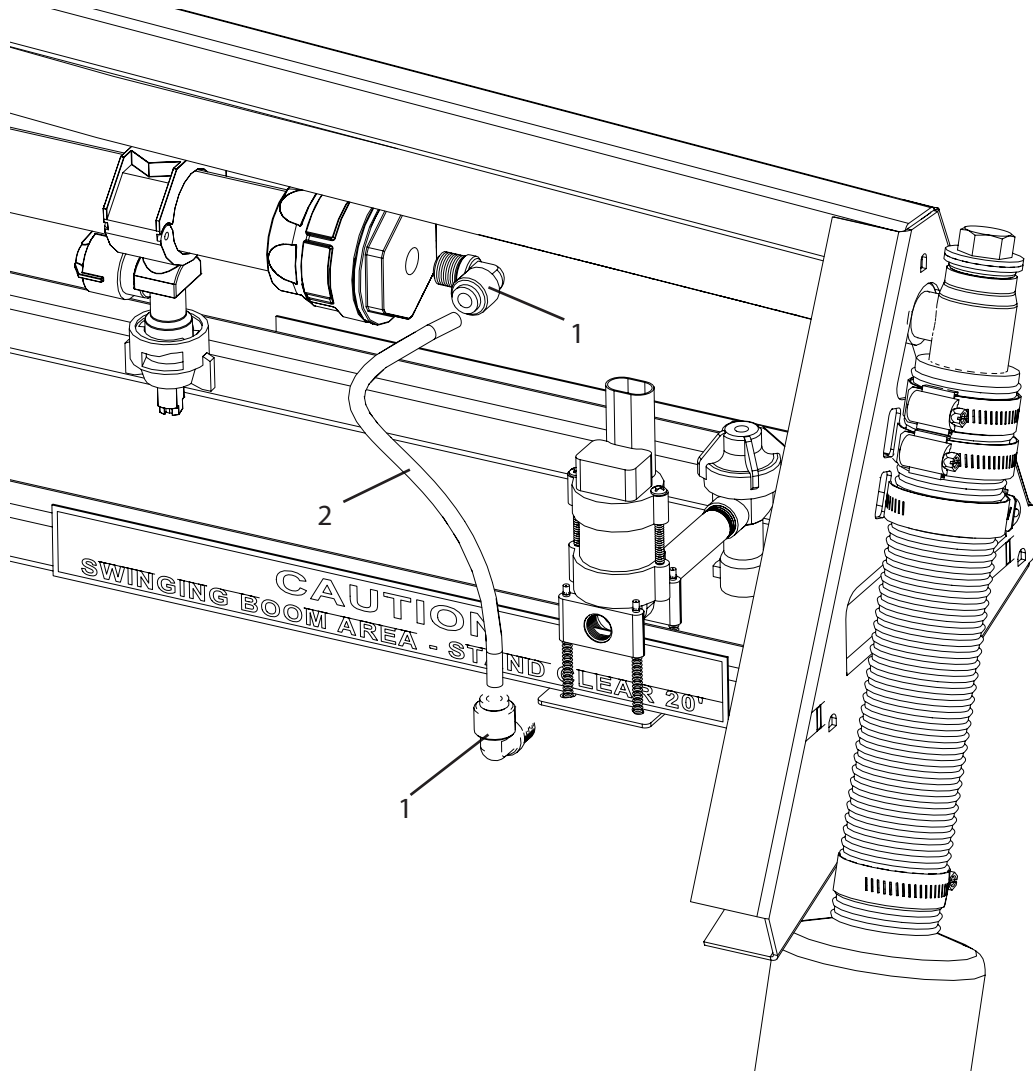


Ref#	Qty.	Part Number	Description
1	1	T491	Remcor Solenoid Mount Plate
2	4	PT8*2S	Screw, Pan Head Tap #8 x 2" SS Phillips Drive
3	1	2201A-WP	Solenoid, 1/4" FPT, 1gpm, 125psi, 12V, 1.1A

A312K-W Assembly Instructions

Step 3

- Install the hose adapters onto the end cap and the solenoid.
- Install the hose to connect the wet line to the lap nozzle. Use Teflon tape and pipe sealant on all threads.

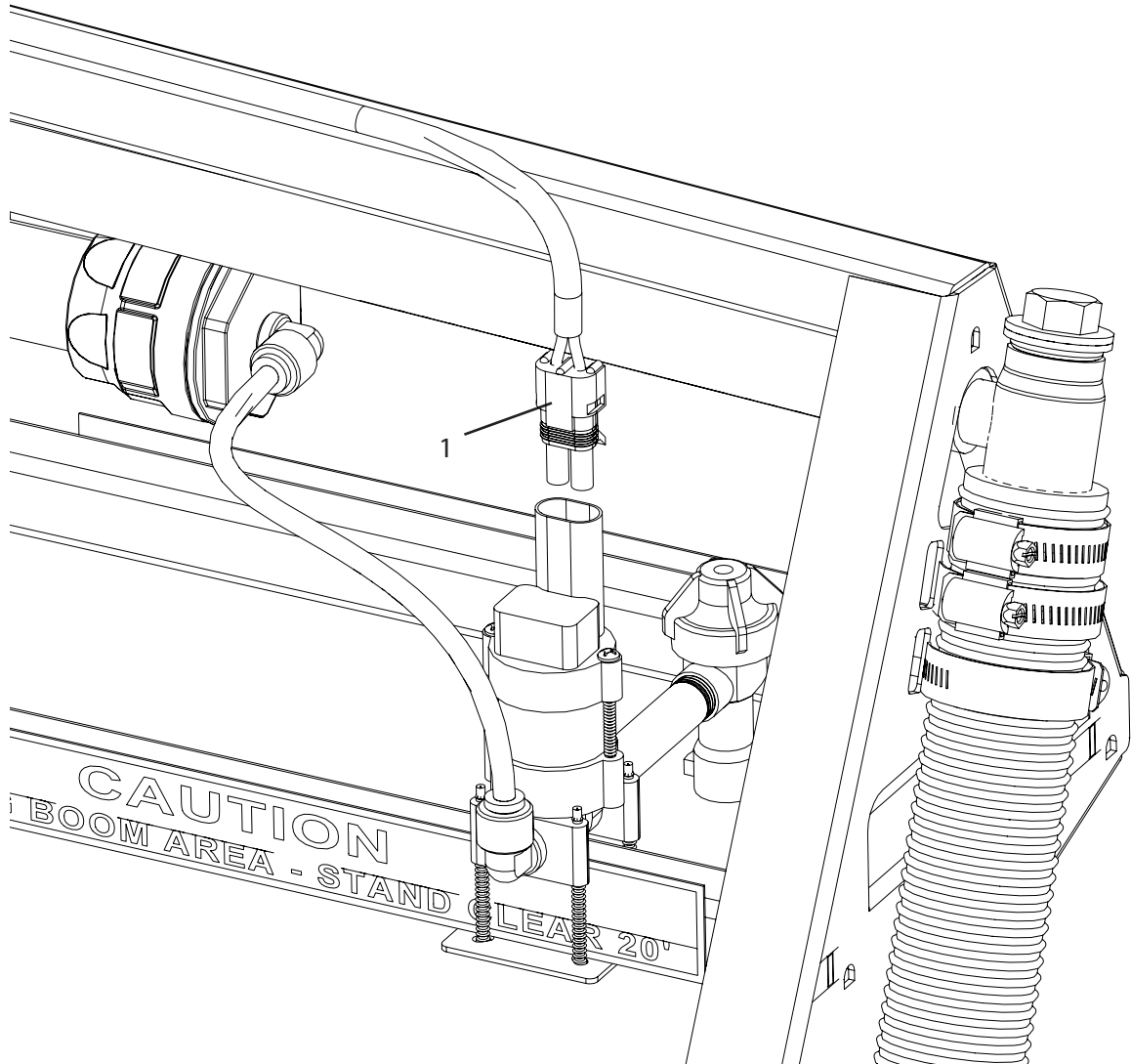


Ref#	Qty.	Part Number	Description
1	2	A4ME4	Adapter, TrueSeal Fitting 90° 1/4" Tube
2	1 FT	5156N	Tubing, Nylon 1/4" OD Black

A312K-W Assembly Instructions

Step 4

- Route the wiring harness along the boom plumbing and secure the wiring with the cable ties (1175UV) provided.



Ref#	Qty.	Part Number	Description
1	1	T1101	Wire harness, lap nozzle accessory kit
2	20	1175UV	Cable Tie, 11" 75 lb UV Black

A312K-W Assembly Instructions

Step 5A

The lap nozzle solenoid harness needs to be hooked up to the sprayer controls. On electric controls with the CropCare Wiring Harness the lap nozzle solenoid wiring harness is connected to terminals inside of a junction box.

- Route the lap nozzle solenoid wiring harness to the junction box. See your sprayer’s owner’s manual for the junction box location (See the “Accessing Junction Box and Control Manifold” Section).
- Route through the strain reliefs on the junction box (A, Figure 1)
- Trim the ends of the lap nozzle solenoid wiring harness.
- **WARNING:** Make sure the sprayer is disconnected from the battery.
- Install the lap nozzle solenoid wire harness ends into the proper terminals for connecting the lap nozzle, 12V+ and ground wires. See the decal on the inside of the junction box lid (Figure 2), or see the “Wiring” section in the sprayer’s owner’s manual.

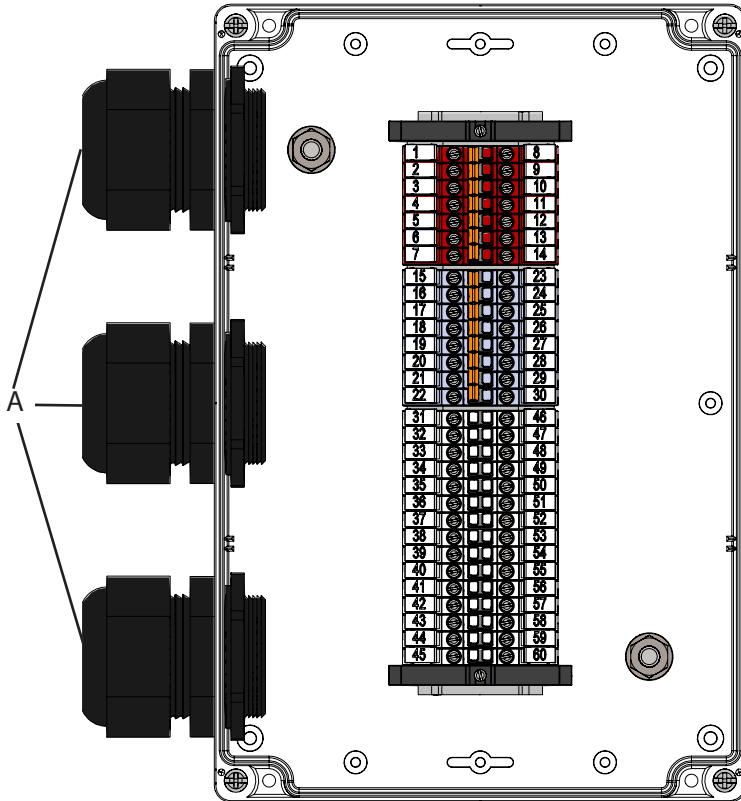


Figure 1

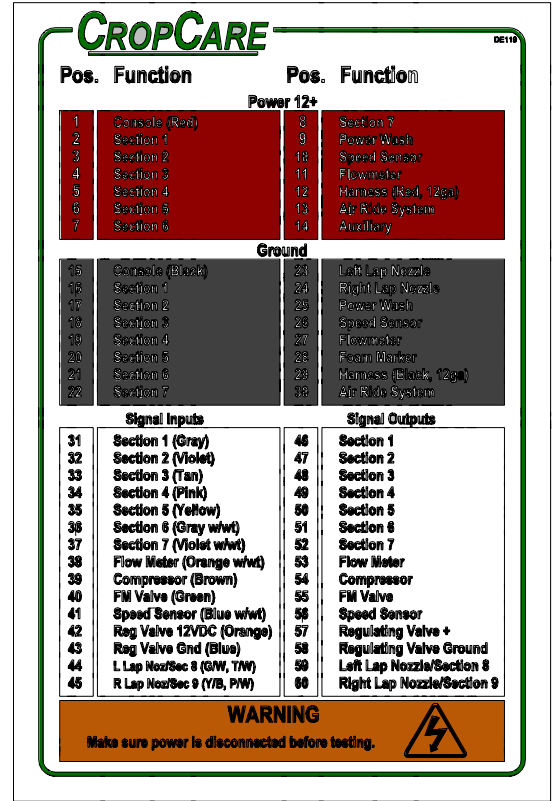


Figure 2

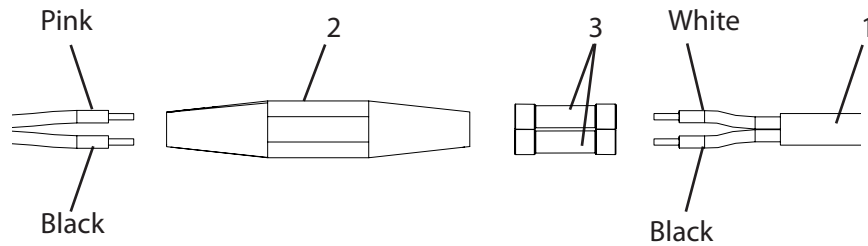
Ref#	Qty.	Part Number	Description
1	1	T1101	Wire harness, lap nozzle accessory kit

A312K-W Assembly Instructions

Step 5B

The lap nozzle solenoid harness needs to be hooked up to the sprayer controls. On electric controls without the CropCare wiring harness (SC400) needs to have the lap nozzle solenoid wiring harness connected to the sprayer end wiring harness (See SC400 owner's manual for wiring schematic.)

- Trim the ends of the lap nozzle solenoid wiring harness.
- The black wire from the lap nozzle solenoid harness must connect to the loose black wire that connects to the other solenoids in the SC400. The white wire in the lap nozzle solenoid wiring harness must be connected to the loose pink wire from the section 4 boom control switch.
- Butt crimp these wires together and heat shrink the connections to make them watertight.



Ref#	Qty.	Part Number	Description
1	1	T1101	Wire harness, lap nozzle accessory kit
2	1	HST38*3	Heat shrink tubing, 3/8" x 3" long
3	2	506346	Connector, Wire Butt Terminal 16-14 Ga Insulated