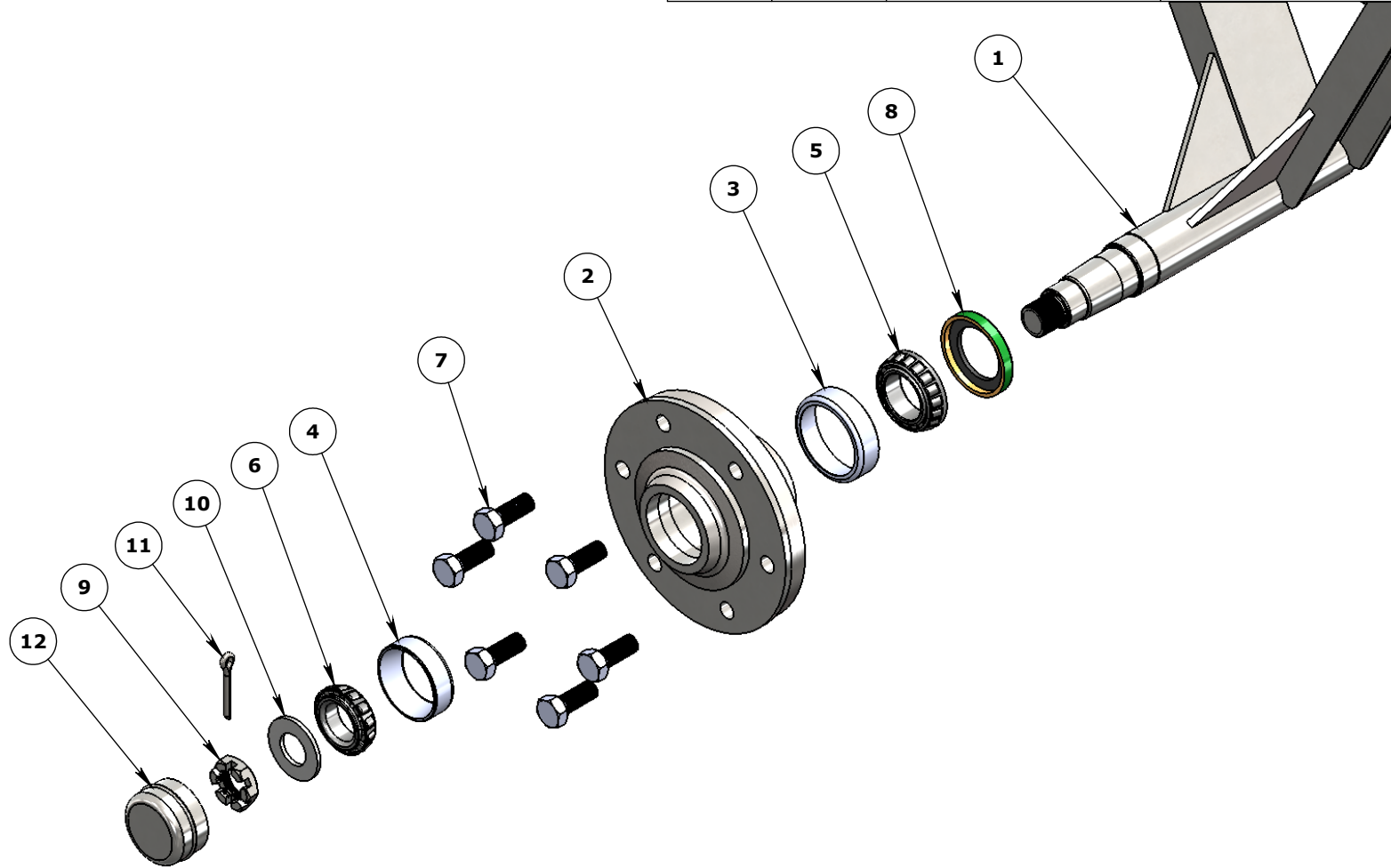


ITEM	QTY.	PART NUMBER	DESCRIPTION
1	1	---	Axle & spindle weldment, 15" wheels
2	1	HO4000	Hub cupped only (now bearings) 4000#
3	1	LM29710	Bearing Cup 2.562" OD
4	1	LM67010	Bearing Cup 2.328" OD
5	1	LM29749	Tapered Bearing 1.50" ID
6	1	LM67049	Tapered Bearing 1.25" ID
7	6	SP4001	Wheel bolt 4,000 lb capacity 9/16-18 x 1 1/4"
8	1	S4000	Seal 1.75" ID x 2.561" OD x .25" W
9	1	SP4003	Castle Nut 1"-14 Fine
10	1	SP4004	Sae Washer 1"
11	1	CT316x2	Cotter pin 3/16" x 2"
12	1	D4000	dust cap for 4000 lb hub 2.333" OD



PART#: SP4000			
DESCRIPTION: 15" Wheel Spindle Breakdown			REV: A
DRAWN: JA	DATE: 1/4/2013	SHEET NO:	
SA (IN SQ)	WEIGHT 45.588 lbs	1	