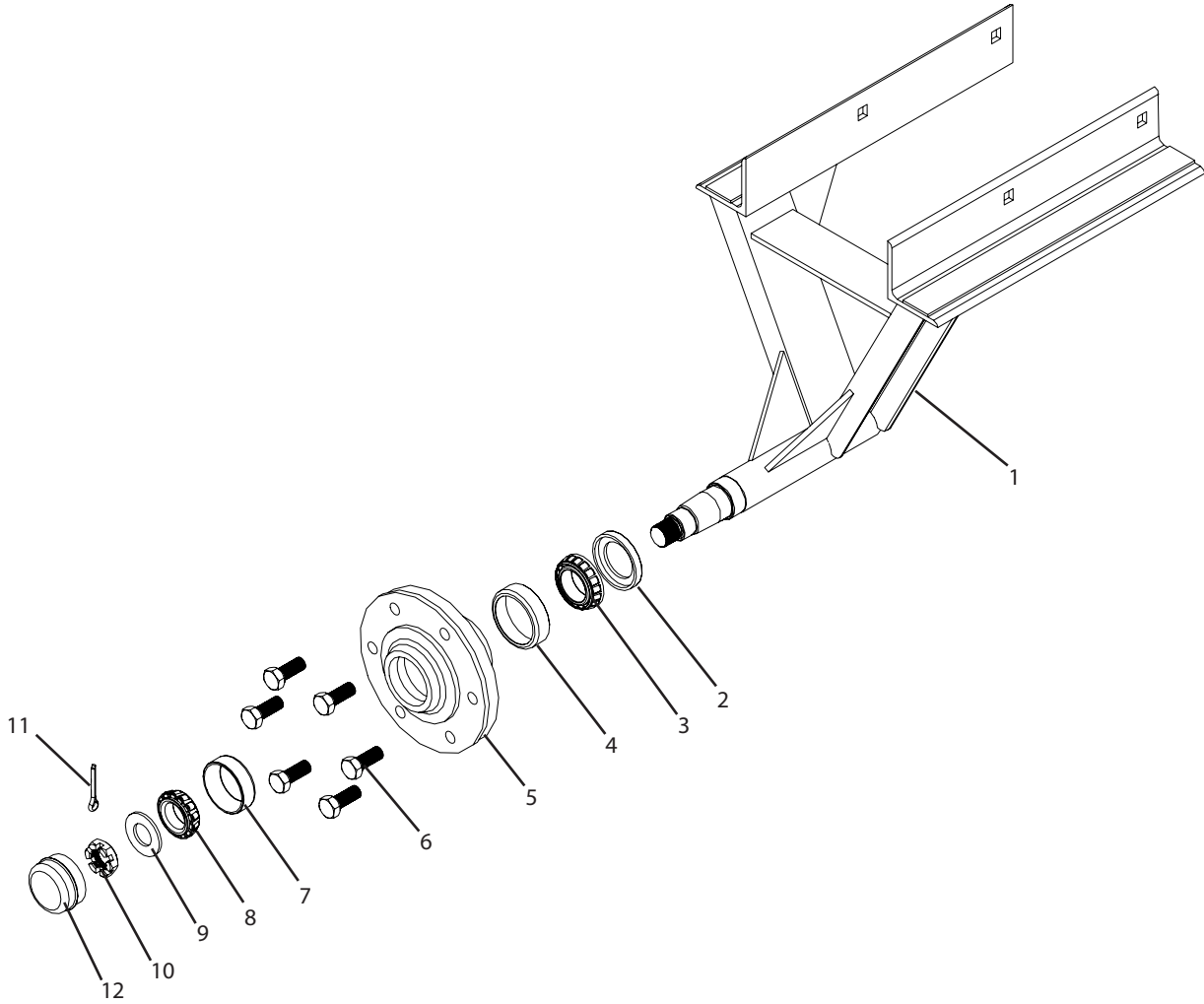


## T501 Breakdown

### Spindle weldment, TR300



| Ref# | Qty. | Part Number | Description                                    |
|------|------|-------------|--|
| 1    | 1    | -----       | Spindle, TR300                                 |
| 2    | 1    | S4000       | Seal, 1.75" ID x 2.561" OD x .25" W            |
| 3    | 1    | LM29749     | Bearing, Cone Tapered 1.50" ID                 |
| 4    | 1    | LM29710     | Bearing, Cup 2.562" OD                         |
| 5    | 1    | HO4000      | Hub, Wheel Cupped Only (no bearings)           |
| 6    | 6    | SP4001      | Bolt, Wheel 4,000 Lb Capacity 9/16-18 x 2-1/4" |
| 7    | 1    | LM67010     | Bearing, Cup 2.328" OD                         |
| 8    | 1    | LM67049     | Bearing, Cone Tapered 1-25" ID                 |
| 9    | 1    | SP4004      | Washer, 1" SAE                                 |
| 10   | 1    | SP4003      | Nut, Castle 1"-14                              |
| 11   | 1    | CT316x2     | Cotter Pin, 3/16" x 2"                         |
| 12   | 1    | D4000       | Dust Cap, 4000 Lb Hub 2.333" OD                |