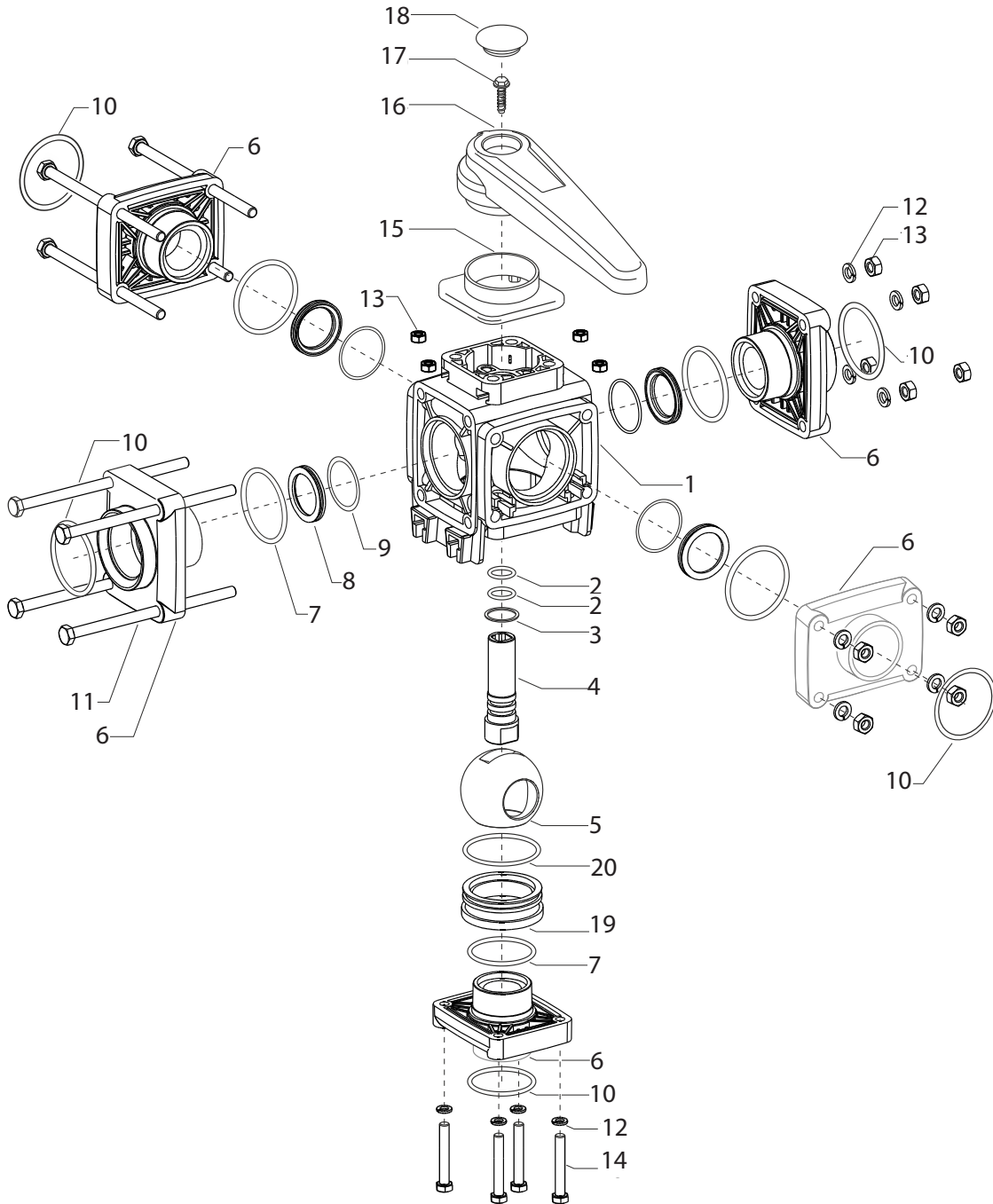


453053S44 Breakdown

Valve, 5-Way T4 x 3/4" FP 230 PSI



453053S44 Breakdown

Valve, 5-Way T4 x 3/4" FP 230 PSI

Ref#	Qty.	Part Number	Description
1	1	45305300-010	Valve body, 1" DN20 5W
2	2	405000-060	Gasket 15.5x2.6
3	1	45300400-080	Washer 21.3x25.5x1 PTFE
4	1	45304300-060	Pin Valve DN20 Bottom L hole
5	1	45302303-020	Ball D 42.5 DN20 Bottom L hole
6	5	453053S4-030	Adapter fork connection T4M
7	5	G10061	O-ring 3.0x29.20 EPDM
8	4	45300303-070	Ball holder seat PTFE D 42.5 DN20
9	4	G11071	O-ring 1.78x23.52 EPDM
10	5	G11054	O-ring 3.53x28.17 EPDM
11	8	V1M242	Screw TE 6x110
12	12	B222F0	Washer grover 6.4x11.4x1.6
13	12	B10241	Nut M6x10x5
14	4	V1M24M	Screw TE 6x35
15	1	45300400-100	Docked lid for valve DN40
16	1	45300500-050	Red Lever for Rod valve DN40
17	1	V7B24F	Self-threaded screw 4x16
18	1	4542237-055	Lever Plug 2" Red
19	1	45300300-040	Coupling bottom adapter 1" 5W
20	1	G10052	O-ring 3.53x39.69 EPDM