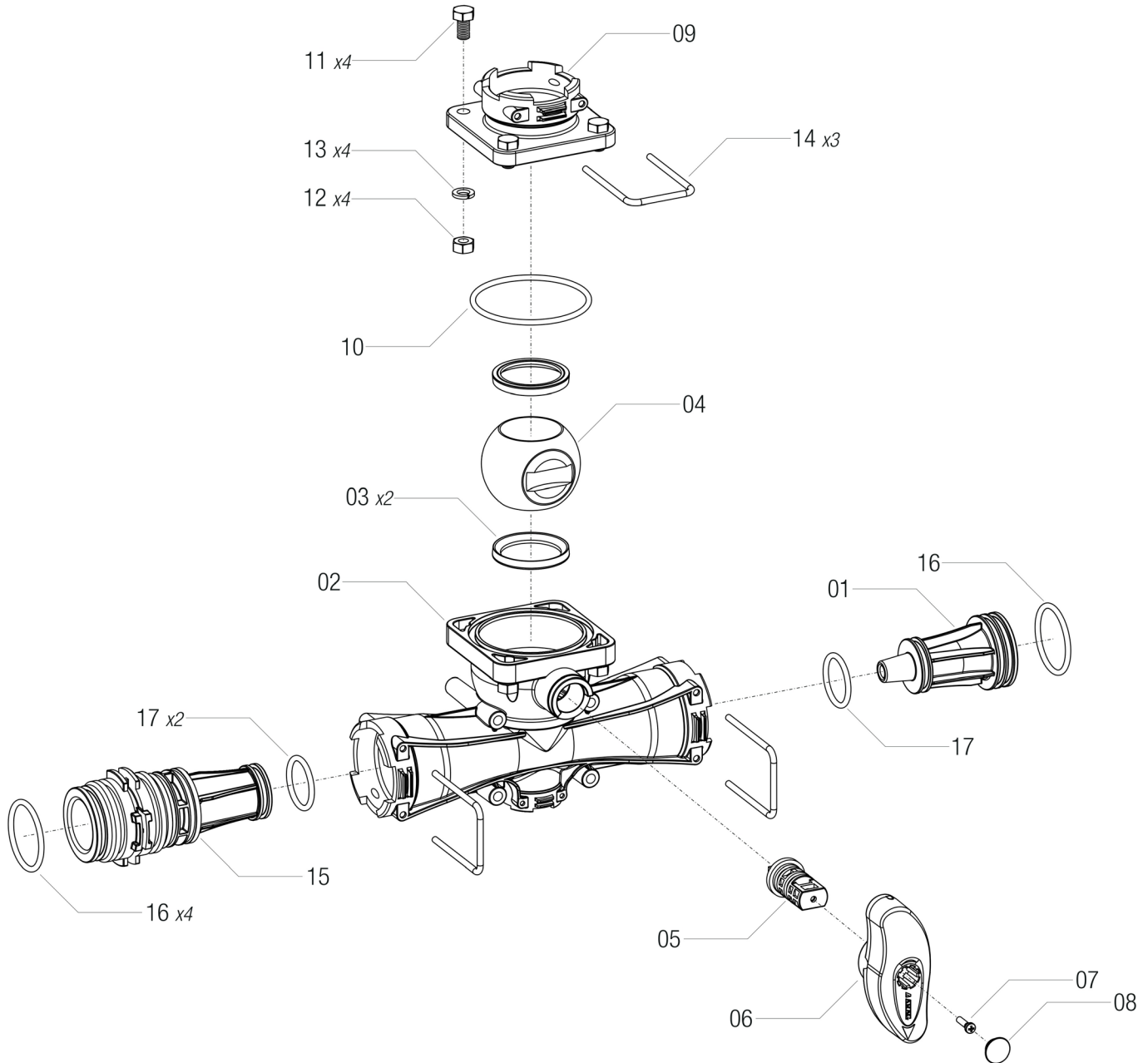


## 453M01 Breakdown

### Eductor, mixing valve, 8mm nozzle (453M01.001)



## 453M01 Breakdown

### Eductor, mixing valve, 8mm nozzle (453M01.001)

Ref#	Qty.	Part Number	Description
1	1	5033301.08	Niagra 0.8mm
2	1	453M01.010	Body
3	1	45500006.070	Seat, ball
4	1	45300506.020	Ball, 2-way D.65 DN40
5	1	45500006.560	Ball Valve with O-ring
6	1	45300400T.050	T Handle
7	1	V7B24F	Screw, 4x16mm
8	1	4542233.055	Lever plug
9	1	453M01.030	Valve flange, T6F
10	1	G11022	O-ring 3,53X72,62 EPDM
11	4	V1C25M	Screw, TCE1 8X35mm
12	4	B10251	Nut M 8X13X6.5
13	4	B222H0	Washer Grover D 8,2 INOX
14	3	010006	Fork, Retaining T6
15	1	5033301.092	Venturi cone, T6M Niagra
16	4	G11023	O-Ring, T6 QC
17	1	462300.550	Gasket (OR) 29,7X3,5