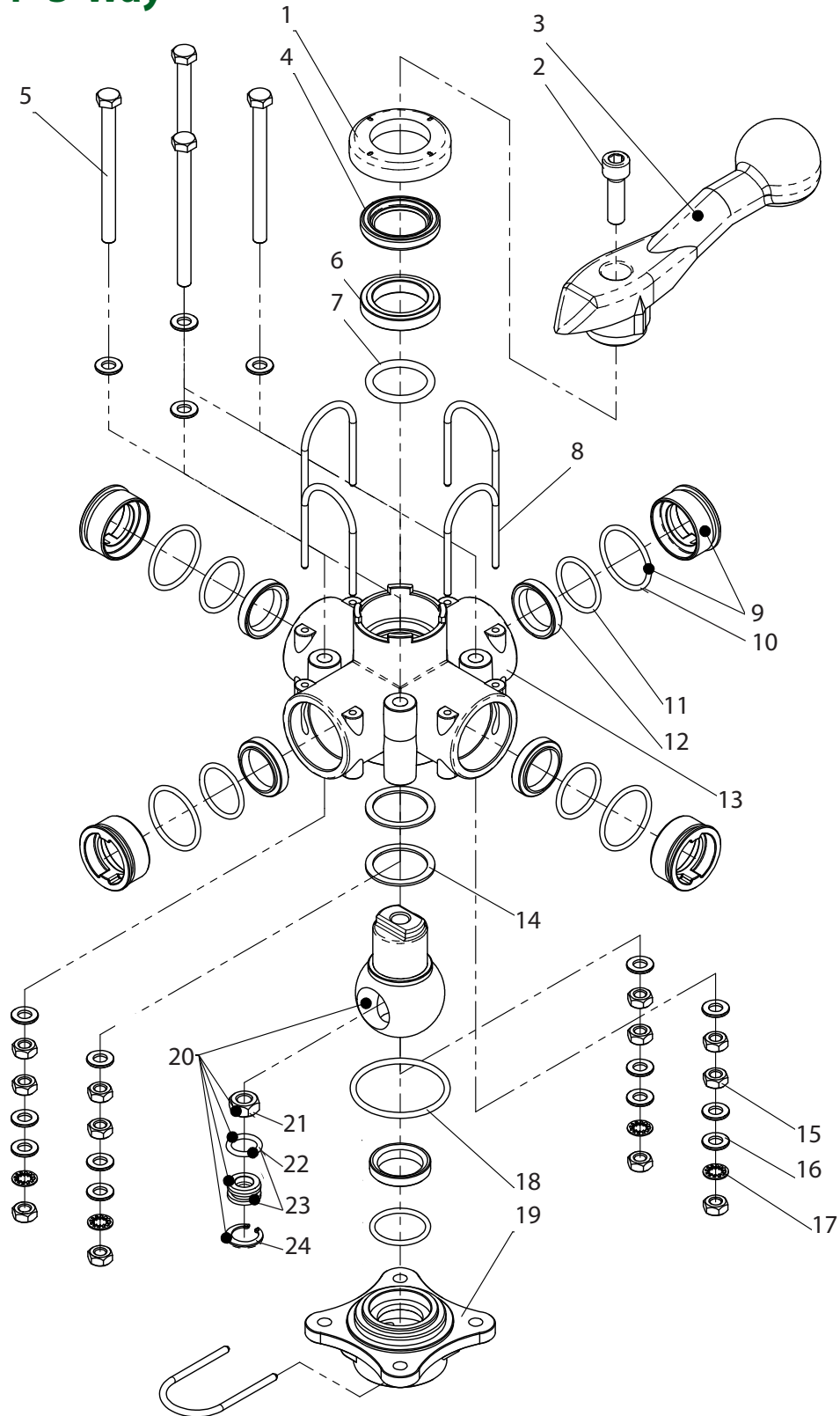


61128 Breakdown

Valve, Ball 1-1/4" 5-Way



61128 Breakdown

Valve, Ball 1-1/4" 5-Way

Ref #	Qty.	Part Number	Description
1	1	47577	Dust Cover for Handle on Altek 5-way valve
2	1	47659	Screw, Socket Head 10 x 35MM(Handle Altek 5-Way Valve)
3	1	47679	Handle (Altek 5-Way Valve)
4	1	61128A	Handle seat (Altek 5-way valve)
5	4	47669	Bolts , M8 (Altek 5-way valve)
6	1	81127	Top Ball seat (Altek 5-way valve)
7	1	81053	Ball seal, top (Altek 5-way valve)
8	5	05241	Clips (Altek 5-way valve)
9	4	47671	Outer seat (Altek 5-way valve) Contains Part # 36698
10	4	36698*	Outer seal (Altek 5-way valve)
11	5	47667	Inner seal (Altek 5-way valve)
12	5	47571	Inner seat (Altek 5-way valve)
13	1	47665	Housing (Altek 5-way valve)
14	2	47573	Spacer (Altek 5-way valve)
15	12	03447	Nut, M8 (Altek 5-way valve)
16	16	32713	Washer, 8mm (Altek 5-way valve)
17	4	71426	Washer, lock (Altek 5-way valve)
18	1	31009	Ball seal, bottom (Altek 5-way valve)
19	1	47569	Common port (Altek 5-way valve)
20	1	47673	Ball assembly (Altek 5-way valve)
21	1	08598 **	Nut, 10 x 35MM (Altek 5-way valve)
22	1	81242 **+	Seal, ball (Altek 5-way valve)
23	2	81243 **	Inner ball seal, (Altek 5-way valve)
24	1	47927 **	Retaining clip (Altek 5-way valve)

Seal kit part # 47921.

Seal and ball kit part # 47922.

* Included with Item 9.

** Included with Item 20.

+ Included with Item 22.